

SPECIFICATIONS

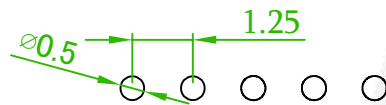
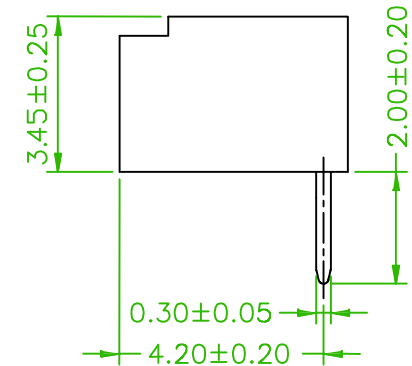
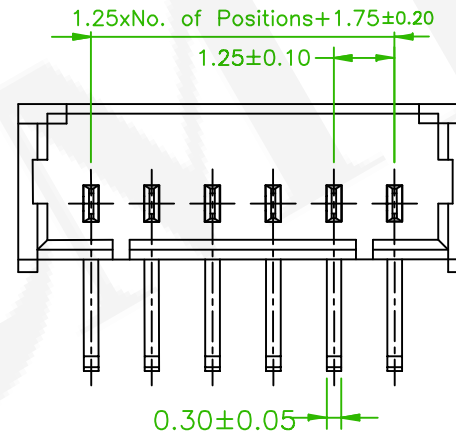
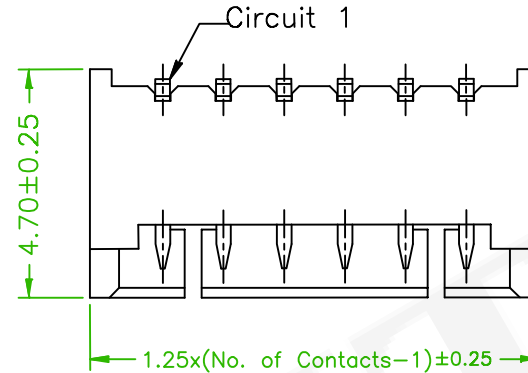
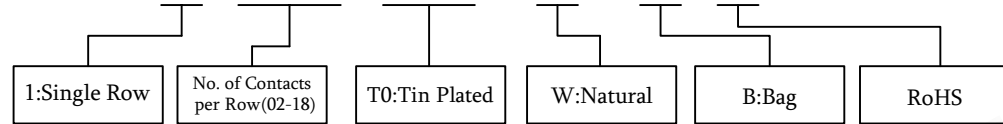
Current Rating: 1A AC, DC
 Voltage Rating: 125V AC, DC
 Contact Resistance: 20mΩ Max.
 Insulation Resistance: 100MΩ Min.
 Dielectric Voltage: 500V AC for one minute
 Operation Temperature: -40°C to +105°C

MATERIAL

Insulator: Nylon 6T, UL94V-0
 Contact Pin: Brass

ORDER INFORMATION

5 W 1 2 5 0 R 0 - 1 X X T 0 W B U K 0 1



Recommended PCB Layout
 (PCB TOLERANCE ±0.05)

<p>糧德精密有限公司 Amtek Technology Co., Ltd. TEL: 886-2-2260-6878 FAX: 886-2-2260-8030</p>	品名 TITLE	1.25mm WAFER S/R R/A DIP TYPE			頁數 Page	1/1
	品號 PART NO.	5W1250R0-1XXT0WBUK01			繪圖 DRAWN	Benson 2022/11/21
	圖號 DRAWING NO.	GN137-BE193	版本 REV.	A	核對 CHECKED	Josh 2022/11/21
	客戶品號 CUSTOMER P/N		比例 SCALE	None	承認 APPROVED	Josh 2022/11/21
	公差 TOLERANCE	.X ±0.30 .XX ±0.20	單位 UNIT	mm	THIRD ANGLE PROJECTION	

REV.	ECN NO. OR DESCRIPTION	REVISED	DATE