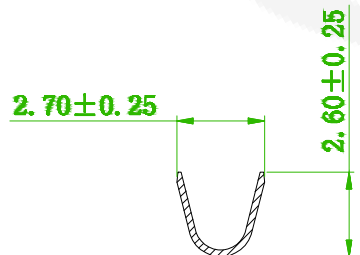
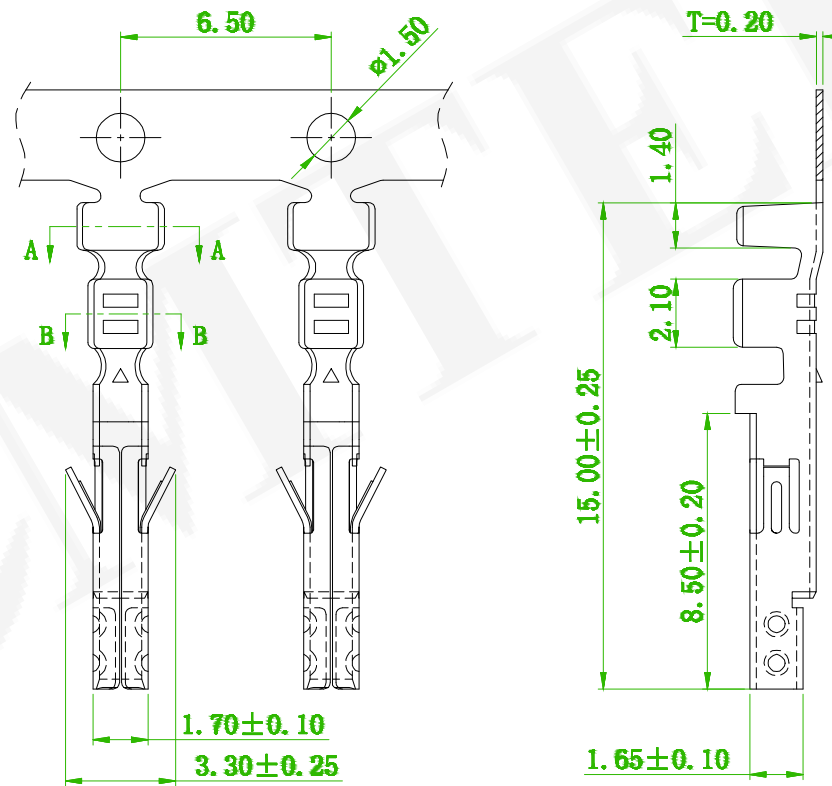


### SPECIFICATIONS

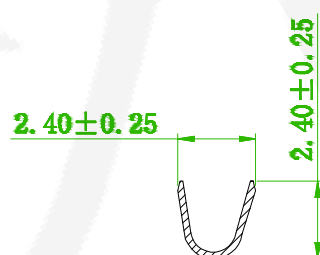
Current Rating: 7A AC/DC  
 Voltage rating: 600V AC, DC  
 Contact Resistance: 20mΩ Max.  
 Dielectric Voltage: 1500V AC for one minute  
 Operating Temperature: -25°C ~ +85°C  
 Wire Range: AWG20~24

### ORDER INFORMATION

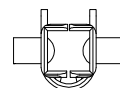
5 T 4 2 0 0 F - X T 0 R L 0 1



SECTION: A-A



SECTION: B-B



糧德精密有限公司  
 Amtek Technology Co., Ltd.  
 TEL: 886-2-2260-6878  
 FAX: 886-2-2260-8030

品名 TITLE	Terminal			頁數 Page	1/1
品號 PART NO.	5T4200F-XT0RL01			繪圖 DRAWN	Alice 2020/10/21
圖號 DRAWING NO.	GN110-AL416	版本 REV.	A	核對 CHECKED	Josh 2020/10/21
客戶品號 CUSTOMER P/N		比例 SCALE	FREE	承認 APPROVED	Josh 2020/10/21
公差 TOLERANCE	.X ± 0.30 .XX ± 0.20	單位 UNIT	mm	THIRD ANGLE PROJECTION	

REV.	ECN NO. OR DESCRIPTION	REVISED	DATE