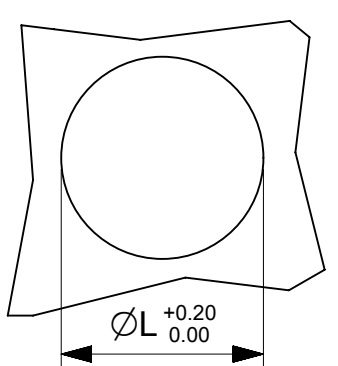
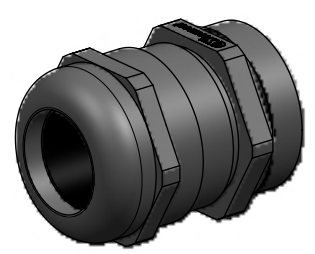


FORATURA PANNELLO
PANEL DRILLING



ØL
mm
20.5



SCALE 1:1

SYMBOLS	THIS DRAWING CONTAINS INFORMATION THAT IS PROPRIETARY TO MOLEX ELECTRONIC TECHNOLOGIES, LLC AND SHOULD NOT BE USED WITHOUT WRITTEN PERMISSION															
	DIMENSION UNITS		SCALE		CURRENT REV DESC:											
▽ = 0	mm		2:1		EC NO: 170943							7000.6831.0 METAL CABLE GLAND IP68 5BAR WITH GASKET M20X1.5				
∇ = 0	GENERAL TOLERANCES (UNLESS SPECIFIED)				DRWN: AKHEMIRI 2018/01/17											
∇ = 0	ANGULAR TOL ± °				CHK'D: DMERONI 2018/01/17											
∇ = 0	4 PLACES ±				APPR: AMELZI 2018/01/19											
∇ = 0	3 PLACES ±				INITIAL REVISION:											
∇ = 0	2 PLACES ±				DRWN: DMERONI 2017/06/20											
∇ = 0	1 PLACE ±				APPR: AMELZI 2018/01/19											
∇ = 0	0 PLACES ±				DRAFT WHERE APPLICABLE MUST REMAIN WITHIN DIMENSIONS		FIRST ANGLE PROJECTION		DRAWING		SERIES		DOCUMENT NUMBER	DOC TYPE	DOC PART	REVISION
∇ = 0	A4-SIZE		93600		936000024		GENERAL MARKET		1 OF 1							

DOCUMENT STATUS	P1	RELEASE DATE	2018/01/19	12:05:48
-----------------	----	--------------	------------	----------