

CKANPLUS SM-1220R

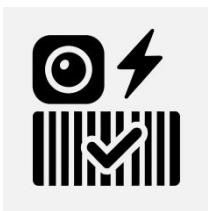
The CKANPLUS scanning module SM-1220 is a highly integrated, high-performance, 2D bar code imaging module. High integration design, which is convenient to be integrated into various devices.

Adopt the CKANPLUS decoding algorithm to interpret various barcodes with high speed and precision



Make scanning faster and easier!

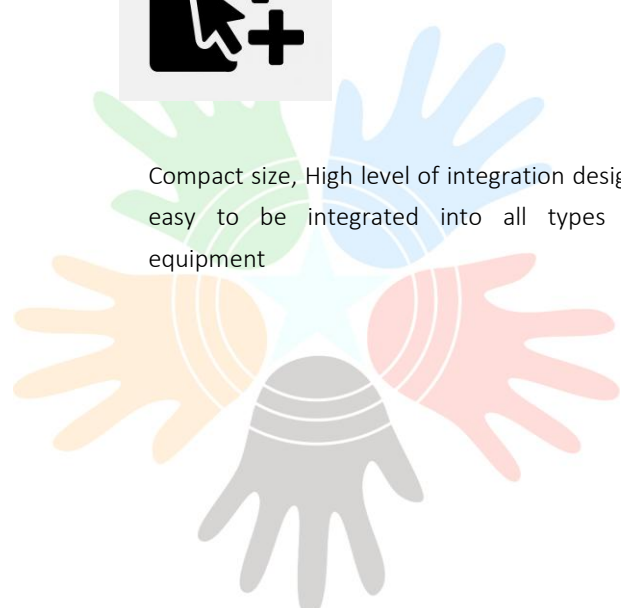
Product Features:



With a high-speed processor and resolution camera, Integrating CKANPLUS advanced decoding technology, it quickly and accurately reads all kinds of barcodes.



Compact size, High level of integration design, easy to be integrated into all types of equipment



Physical Characteristics:

Dimensions: 11.5mm x16.2mm x 21.2mm

Voltage:3.3V

Weight:4.5g

Performance:

Starting Current:	105mA	
Stand-by Current	60mA	
Operating current	170mA	
Image (Pixels)	640*480	
Exposure mode	Rolling shutter	
Light Source	(Aimer) Green color LED; (Illumination) White color LED	
Field of View	41°(Horizontal),33°(Vertical)	
Print Contrast	20% minimum	
Motion Tolerances	0.4m/s	
Minimum Resolution	≥4mil	
DOF (depth of field)	Code39(5mil)	50-120mm
	Code39(13mil)	70-240mm
	QR code (15mil)	30-140mm
	Code 128(20mil)	60-320mm
Interface	USB,TTL	

Decode Capability:

1D: Codabar, Code 39, Code 32 Pharmaceutical (PARAF), Interleaved 2 of 5, NEC 2 of 5, Code 93, Straight 2 of 5 Industrial, Straight 2 of 5 IATA, Matrix 2 of 5, Code 11, Code 128, GS1-128, UPC-A, UPC-E, EAN/JAN-8, EAN/JAN-13, MSI, GS1 DataBar Omnidirectional, GS1 DataBar Limited, GS1 DataBar Expanded, China Post(Hong Kong 2 of 5), Korea Post.

2D: Codeblock A, Codeblock F, PDF417, Micro PDF417, GS1 Composite Codes, QR Code, Data Matrix, MaxiCode, Aztec, HANXIN

User Environment:

Operating Temperature :-20°C to 60°C

Storage Temperature :-30°C to 70°C

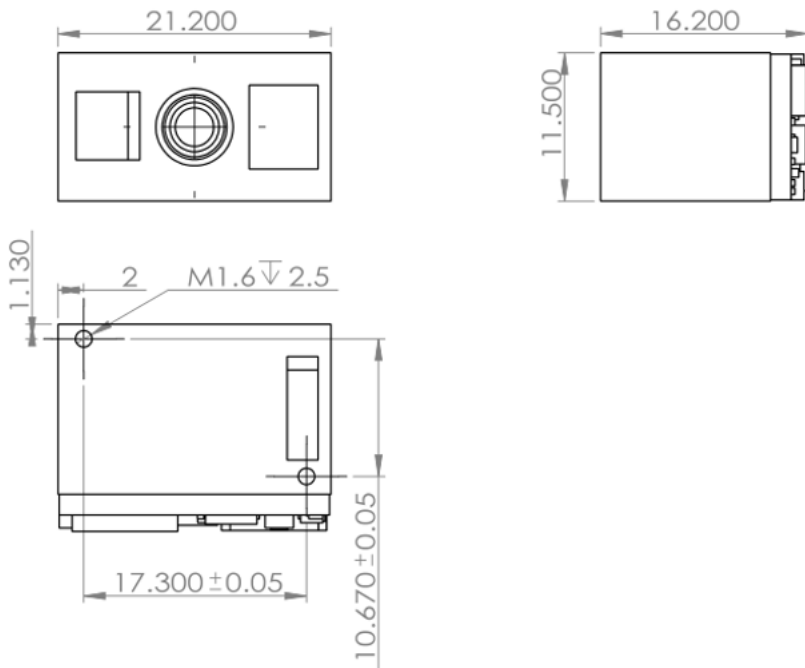
Humidity : 5% to 95% relative humidity,non-condensing

Shock Specifications : 2000G, 0.7ms, half sinus, 3 axes

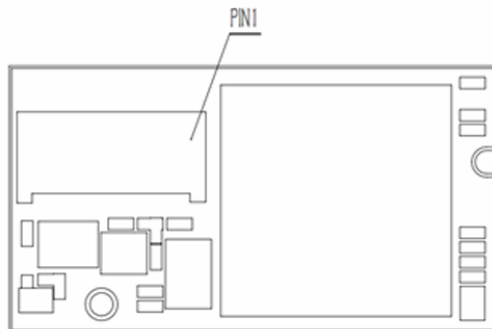
Ambient Light Immunity :0-100,000 Lux.



Dimensions (unit:mm)



PIN Description:



PIN	Input/Output	Definition	Remarks
PIN 1	-	NC	-
PIN 2	Power	VCC	Input 3.3V/5.0V Voltage
PIN 3	Ground	GND	
PIN 4	Input	RXD	Serial Port Receiver Signal
PIN 5	Output	TXD	Serial Transmitter Signal
PIN 6	Input	D-	USB Port D- Signal
PIN 7	Output	D+	USB Port D+ Signal
PIN 8	Output	-	-
PIN 9	Output	Beeper output pull-up	Buzzer Output Signal, idle low

PIN 10	Output	GOODREAD	Decode successfully read and output high, and idle low
PIN 11	Input	-	-
PIN 12	Input	Trigger Weak pull up	Low levels trigger engine decoding

CKANPLUS is a Branch of Sinotectronics Inc. CKANPLUS Branded products mainly focus on Visual Intelligent Development, including cameras, scanners and related products like printers and sensors modules. All above product datasheet is prepared by Sinotectronics CKANPLUS product team. In case of any question, please feel free to contact us: service@sinotectronics.com/info@ckanplus.com. Learn more CKANPLUS products please visit: www.ckanplus.com.

