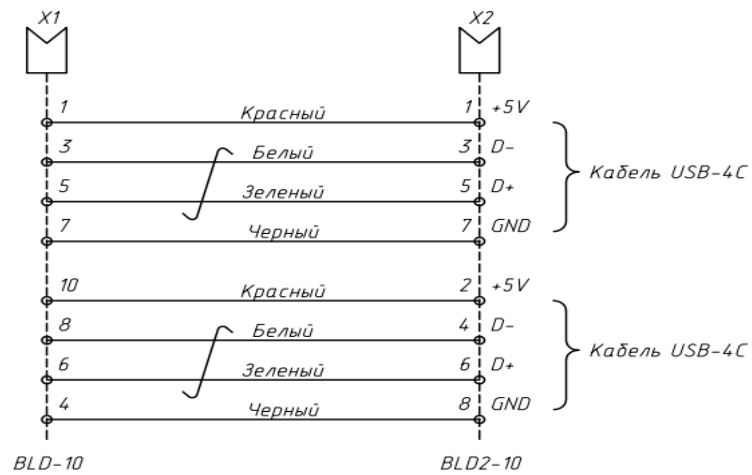
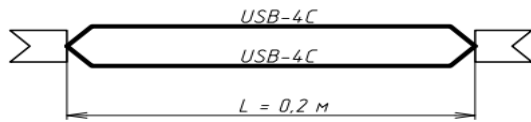


Part number	KAB-BLD-10-BLD2-10-200	
Type	custome USB cable	
Description	Customer cable	
Length	200 mm	
Connector 1	X1	BLD-10 (pitch = 2,54 mm)
Connector 2	X2	BLD2-10 (pitch = 2 mm)

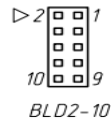
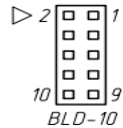


BLD-10

BLD2-10



Вид на разъемы со стороны сочленения:



X1	
BLD-10 (pitch = 2,54 mm)	
1	USB1(+5V)
2	
3	USB1(D-)
4	USB2(GND)
5	USB1(D+)
6	USB2(D+)
7	USB1(GND)
8	USB2(D-)
9	
10	USB2(+5V)

X2	
BLD2-10 (pitch = 2 mm)	
1	USB1(+5V)
2	USB2(+5V)
3	USB1(D-)
4	USB2(D-)
5	USB1(D+)
6	USB2(D+)
7	USB1(GND)
8	USB2(GND)
9	
10	

