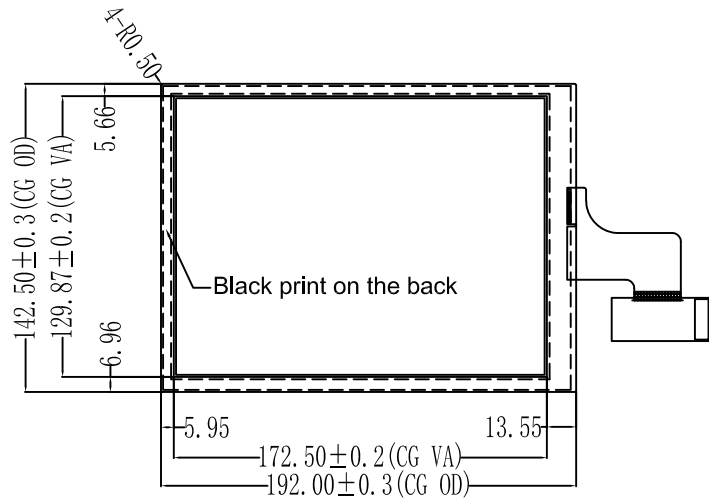


No.	Rev.	Revision Record	Name	Date.
△1	V01	First release	Bill	2021.07.16

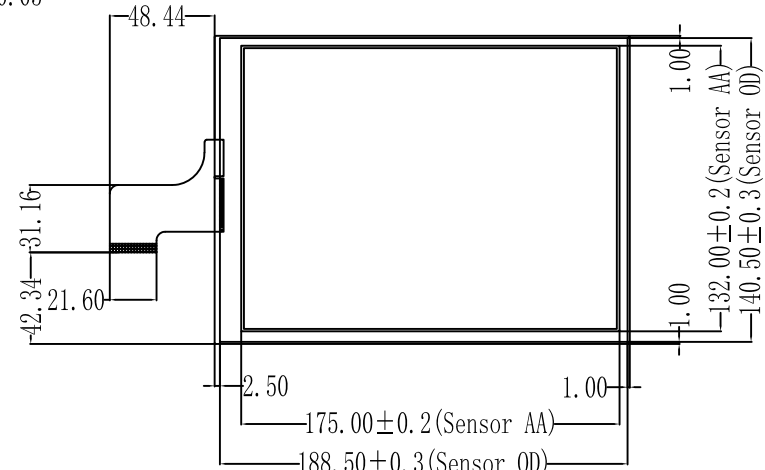
Front view



Side view

- Total 1.85 ± 0.3
- CG 1.10 ± 0.2
- OCA 0.20 ± 0.05
- Sensor 0.55 ± 0.05

Back view

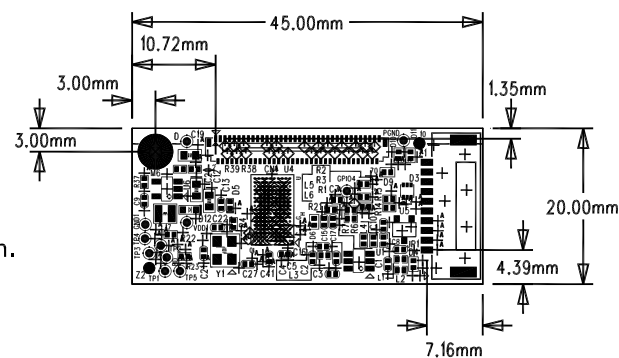



Side view




JP2	
No	Pin define
1	GPIO1
2	GPIO3
3	D+
4	D-
5	VDD(3.3&5V)
6	GND
7	INT(3.3V)
8	SDA(3.3V)
9	SCL(3.3V)
10	RST(3.3&5V)

- Technical Spec:
- COVER LENS : Soda lime
 - Chemical strength glass,surface hardness $\geq 7H$
 - Transmittance $\geq 86\%$
 - IC : EETI 80H7132(TX22*RX29), 10 points touch.
 - Interface : USB/I2C
 - Common tolerance $\pm 0.3mm$
 - Follow RoHS standard
 - Operating Temperature:-20°C~+70°C
Storage Temperature:-30°C~+80°C



 **Sense Touch Technology, Inc**

Rev	V01	Model No.	ST-084C04A		
Sheet	1 / 1	Customer P/N			
Unit	mm	Designed	Bill	Date	2021.07.16
Scale	1 : 1	Checked		Date	
Viewpoint		Approved		Date	