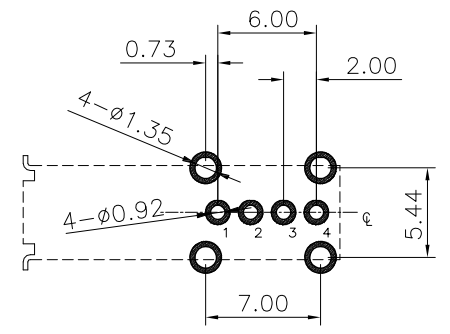
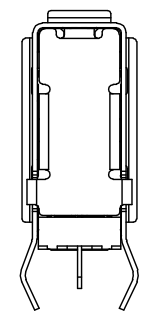
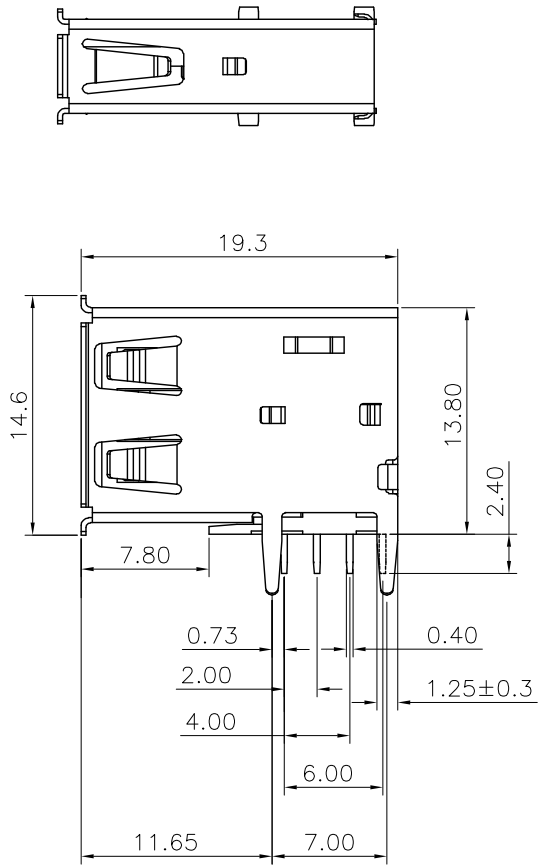
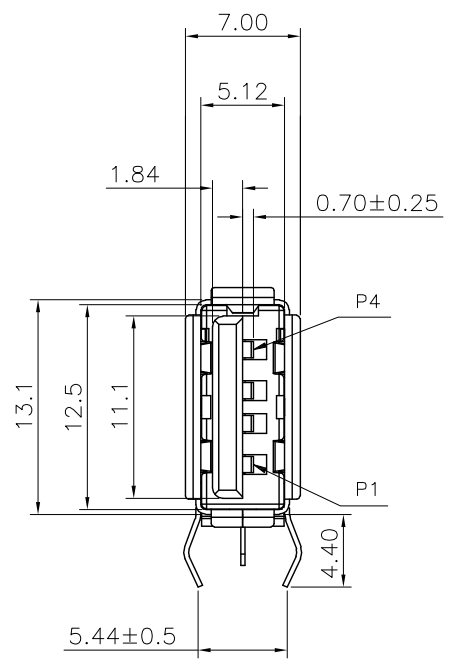
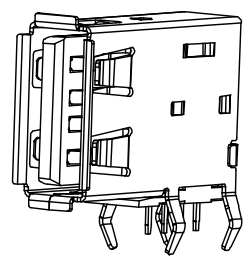


REV.	LOCAS.	DESCRIPTION	DATE	DRAWN
01	NEW	BATCH PRODUCTION INITIAL RELEASE.	2020.08.04	钟建虾

NOTE:  
 1. MATERIAL:  
 HOUSING: HIGH TEMPERATURE THERMO PLASTIC, PBT  
 UL94V-0,COLOR :OPTIONS.  
 BOTTOM COVER: HIGH TEMPERATURE THERMO PLASTIC, PA9T  
 UL94V-0,COLOR :OPTIONS.  
 TERMINAL: PHOSPHOR BRONZE.  
 SHELL: BRASS&SPCC  
 REAR SHELL: SPCC  
 2. FINISH :  
 TERMINAL  
 CONTACT AREA : SELECTIVE GOLD PLATING.  
 SOLDERING AREA : MATTE TIN PLATING 100u" THICKNESS Min.  
 SHELL : NICKEL PLATING 50u" THICKNESS Min. .



TOLERANCE: ±0.05  
 RECOMMENDED PCB LAYOUT  
 (TOP VIEW)



### Ordering Information

C UFB108 - XX XX A 001 A X S X-Y4

No. of PINS  
04

Standard Plating  
05=Gold flash/Tin  
Selective Plating  
75=Gold flash/Matte Tin

Color  
1=Black  
2=White

Standard Packing  
B=Tray

格菱股份有限公司  
**Greenconn Corporation**

GENERAL TOLERANCE	
X.*±3'	X.±
.X*±/	.X±0.30
.XX*±/	.XX±0.20
.XXX*±/	.XXX±0.10

DESIGN: 钟建虾  
 CHECKED:  
 APPROVED:

DATE: 2020.08.04  
 DATE:  
 DATE:

DWG. NO.  
 CUFB108-CA1AS  
 PART NO.  
 CUFB108-04XXA001AXSX-Y4

TITLE.  
 USB AF 侧插 DIP 有卷边 弯脚

REV.	UNIT.	SCALE.	PAGE.	
01	mm	1:1	1/1	