

# DATASHEET

S01.01.01.125\_SL-50x50-16-T2M

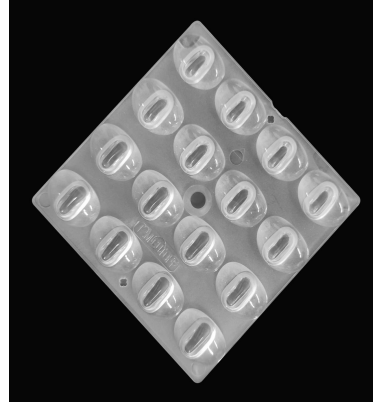
## STREET LIGHT LENS:

IESNA Type II (medium) beam.

50 x 50 mm 4x4 arrays for 3030 size LED packages.

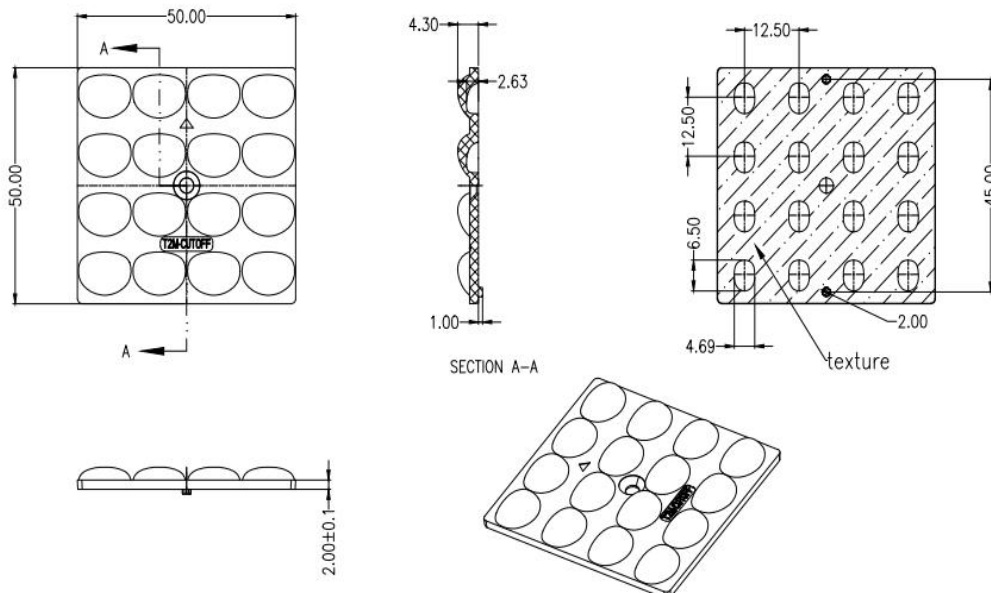
### 1.General Information

Lens Material	: Optical PC
Size	: 50X50mm
typ.FWHM	: Asymmetric
Design LED	: LUXEON 3030
Compatibility	: 3030
typ.Efficiency	: 96%
Fasten	: Screw
IP class	: N/A
Zhaga	: YES
RoHS	: YES
Color	: Clear



### 2.MECHANICAL SPECIFICATION

UNIT:mm



Dimensions with unmarked tolerances refer to GBT14486 tolerance table.

### 3. OPTICAL RESULTS

#### 1) PHOTOMETRIC DATA(MEASURED):



LED model LUXEON 3030 SQUARE

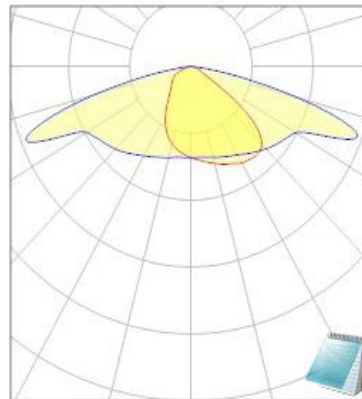
Light colour White

LEDs/each optic 1

FWHM Asymmetric

Required components:

Glass



### 4.Usage and Maintenance

- 1) If necessary, clean lenses with mild soap, water and soft cloth.
- 2) Never use any commercial cleaning solvents on lenses, like alcohol.
- 3) Please handle lens with wearing gloves, skin oils may damage lens or its optical characteristic.

### 5.Note

Please test the data again before using. The chart data is for reference only.

The appearance and specifications of the product can be changed to improve the quality and/or performance without notice.

#### SUNLUMIN OPTICS CO., LTD

501D, Plant 2, No.30, Liuhe Road, Liuyue Community,  
Henggang Str, Longgang District, Shenzhen

E  
info@sunlumin-optics.com

www.  
sunlumin.com      www.  
sunlumin-optics.com