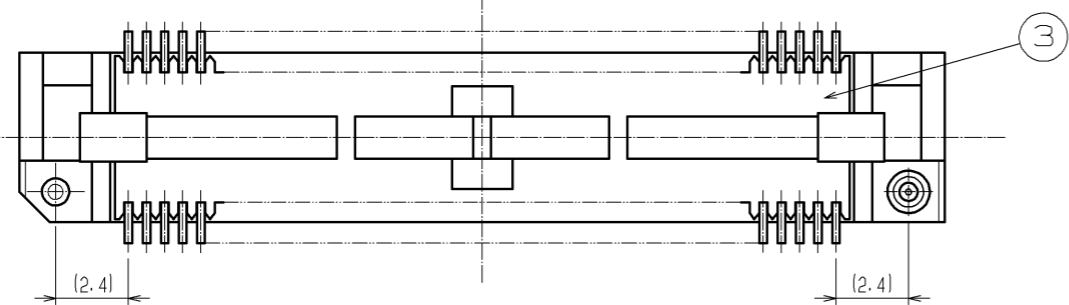
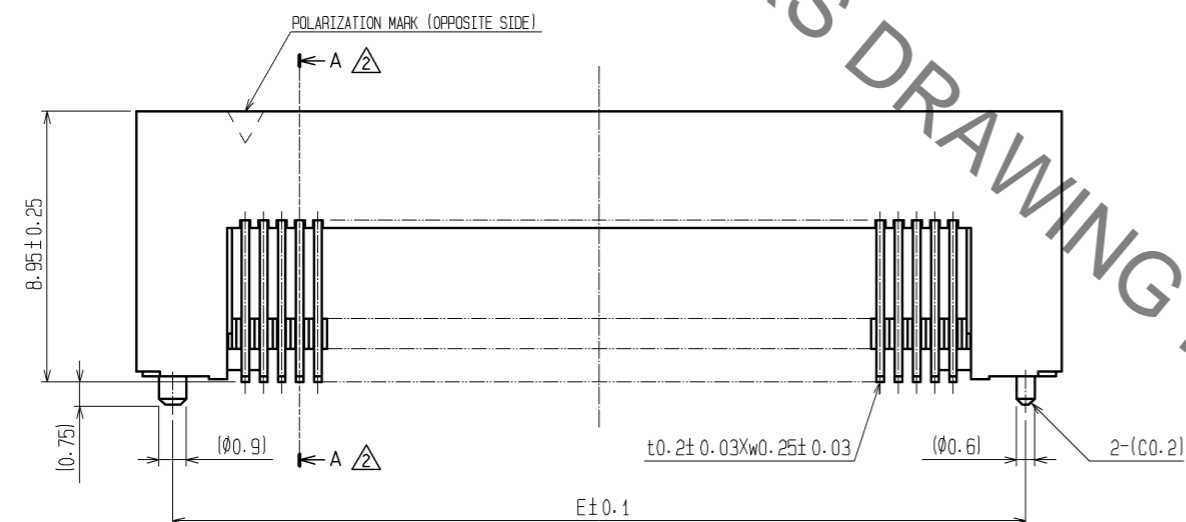
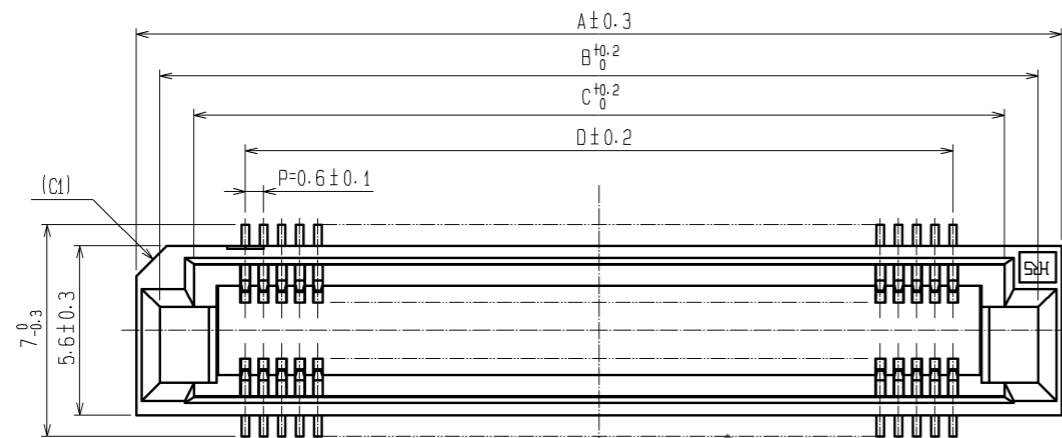


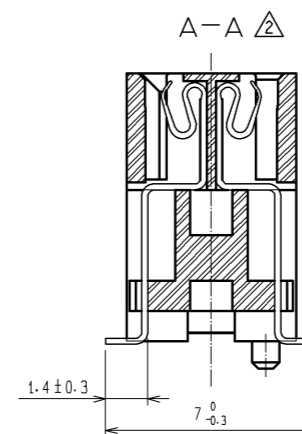
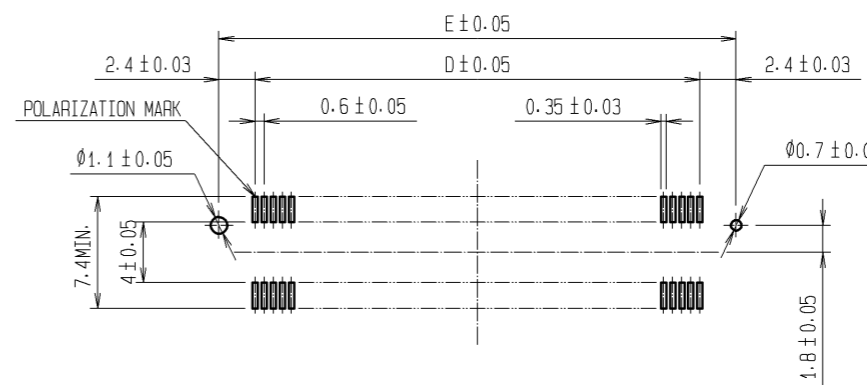
Mar.1.2020 Copyright 2020 HIROSE ELECTRIC CO., LTD. All Rights Reserved.  
 In case of consideration for using Automotive equipment / device which demand high reliability, kindly contact our sales window correspondents.



DIMENSION TABLE OF CONNECTOR AND P.C.B. LAND PATTERN.

PART No.	CODE No.	5	A	B	C	D	E
FX8C-60S-SV5(92)	CL578-0821-0-92	60	24.60	23.05	20.80	17.40	22.20
FX8C-80S-SV5(92)	CL578-0823-5-92	80	30.60	29.05	26.80	23.40	28.20
FX8C-100S-SV5(92)	CL578-0825-0-92	100	36.60	35.05	32.80	29.40	34.20
FX8C-120S-SV5(92)	CL578-0826-3-92	120	42.60	41.05	38.80	35.40	40.20
FX8C-140S-SV5(92)	CL578-0827-6-92	140	48.60	47.05	44.80	41.40	46.20

RECOMMENDED LAND PATTERN DIMENSION OF P.C.B. (MOUNTING SIDE)



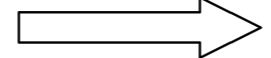
- NOTE 1. LEAD CO-PLANARITY SHALL BE 0.1mm MAX.  
 2. EMBOSSED CARRIER TAPE PACKAGING SHALL BE APPLIED FOR THIS PRODUCT. SEE NEXT PAGE FOR DETAILS.  
 3. FOR MODIFICATION, ETC., PREVENTIVE HOLE FOR SINK MARK MAY BE ADDED ACCORDING TO CIRCUMSTANCES.  
 4. THE DIMENSIONS IN PARENTHESES ARE FOR REFERENCE.  
 5 NUMBER OF CONTACTS.

2	PHOSPHOR BRONZE	CONTACT AREA: GOLD 0.1µm min.	5	POLYESTER	(TOP COVER TAPE)		
		LEAD AREA: TIN-PLATING 1µm min.			(EMBOSSED CARRIER TAPE)		
1, 3	PPS	UNDER PLATING: NICKEL 1µm min.	4	PS			
NO.	MATERIAL	FINISH, REMARKS	NO.	MATERIAL	FINISH, REMARKS		
UNITS mm		SCALE FREE	COUNT 6	DESCRIPTION OF REVISIONS DIS-F-002239	DESIGNED TS. MIYAKI	CHECKED HS. OZAWA	DATE 07.08.02
<b>HRS</b> HIROSE ELECTRIC CO., LTD.		APPROVED: YK. YOSHIMURA 03.02.19	DRAWING NO. EDC3-151023-22				
		CHECKED: HS. OKAWA 03.02.18	PART NO. FX8C-*S-SV5(92)				
		DESIGNED: KY. NAKAMURA 03.02.17	CODE NO. CL578				
		DRAWN: SK. SUZUKI 03.02.07					

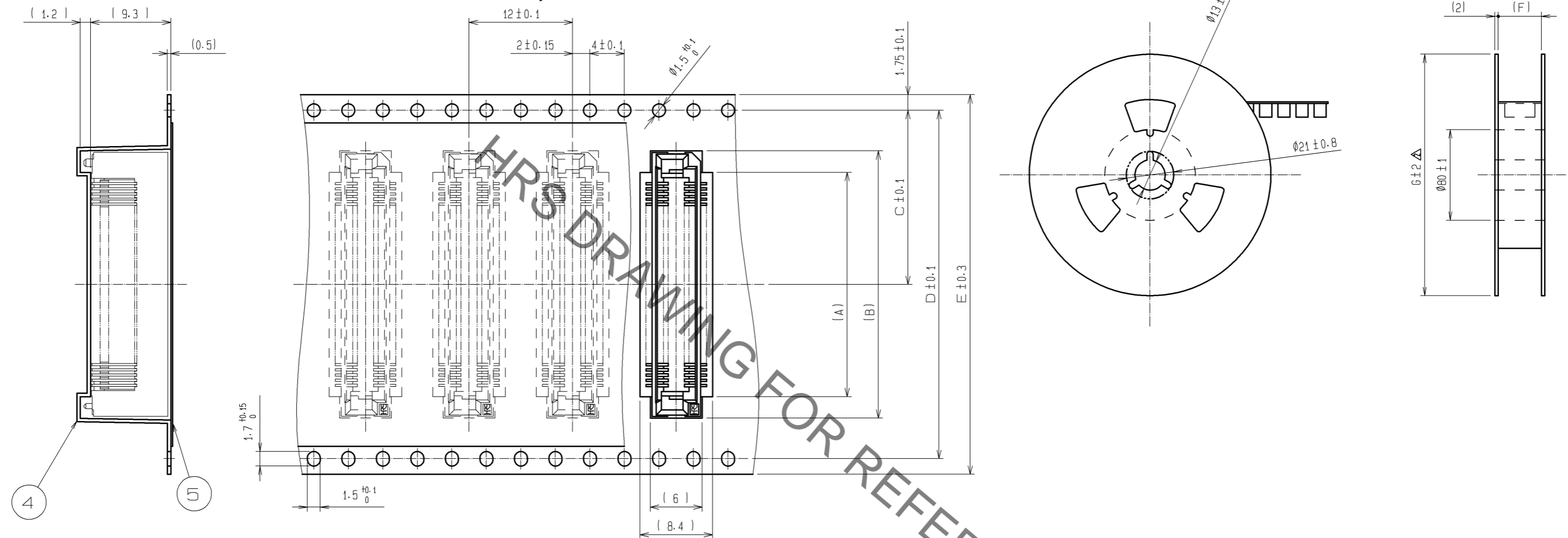
Mar.1.2020 Copyright 2020 HIROSE ELECTRIC CO., LTD. All Rights Reserved.  
 In case of consideration for using Automotive equipment / device which demand high reliability, kindly contact our sales window correspondents.

# DRAWING FOR PACKING ( FREE )

UNREELING DIRECTION



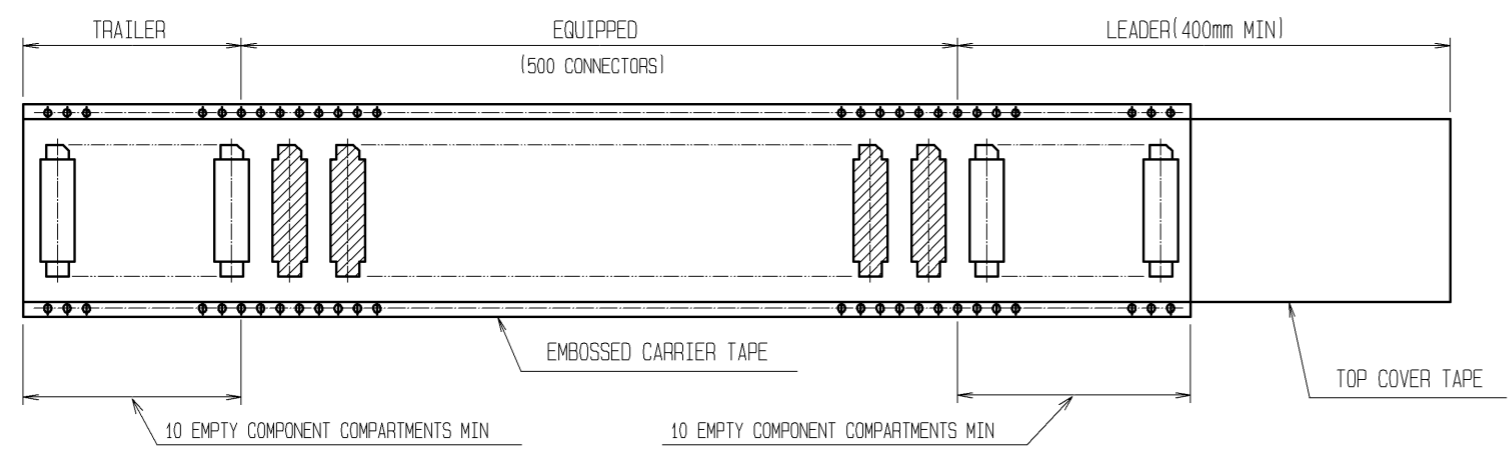
REEL DIMENSION



△△ DIMENSION TABLE OF EMBOSSED CARRIER TAPE AND REEL.

PART NO.	CODE No.	②	A	B	C	D	E	F	G
FX8C- 60S-SV5(92)	CL578-0821-0-92	60	20	25	20.2	40.4	44	44.4	φ370
FX8C- 80S-SV5(92)	CL578-0823-5-92	80	26	31	20.2	40.4	44	44.4	φ370
FX8C-100S-SV5(92)	CL578-0825-0-92	100	32	37	26.2	52.4	56	56.4	φ370
FX8C-120S-SV5(92)	CL578-0826-3-92	120	38	43	26.2	52.4	56	56.4	φ380
FX8C-140S-SV5(92)	CL578-0827-6-92	140	44	49	34.2	68.4	72	72.4	φ380

NOTE 1 1 REEL : 500 CONNECTORS  
 ② NUMBER OF CONTACTS  
 3 THE DIMENSIONS IN PARENTHESES ARE FOR REFERENCE. △



<b>HRS</b>	DRAWING NO.	EDC3-151023-22
	PART NO.	FX8C-*S-SV5(92)
	CODE NO.	CL578
		△ 2/2