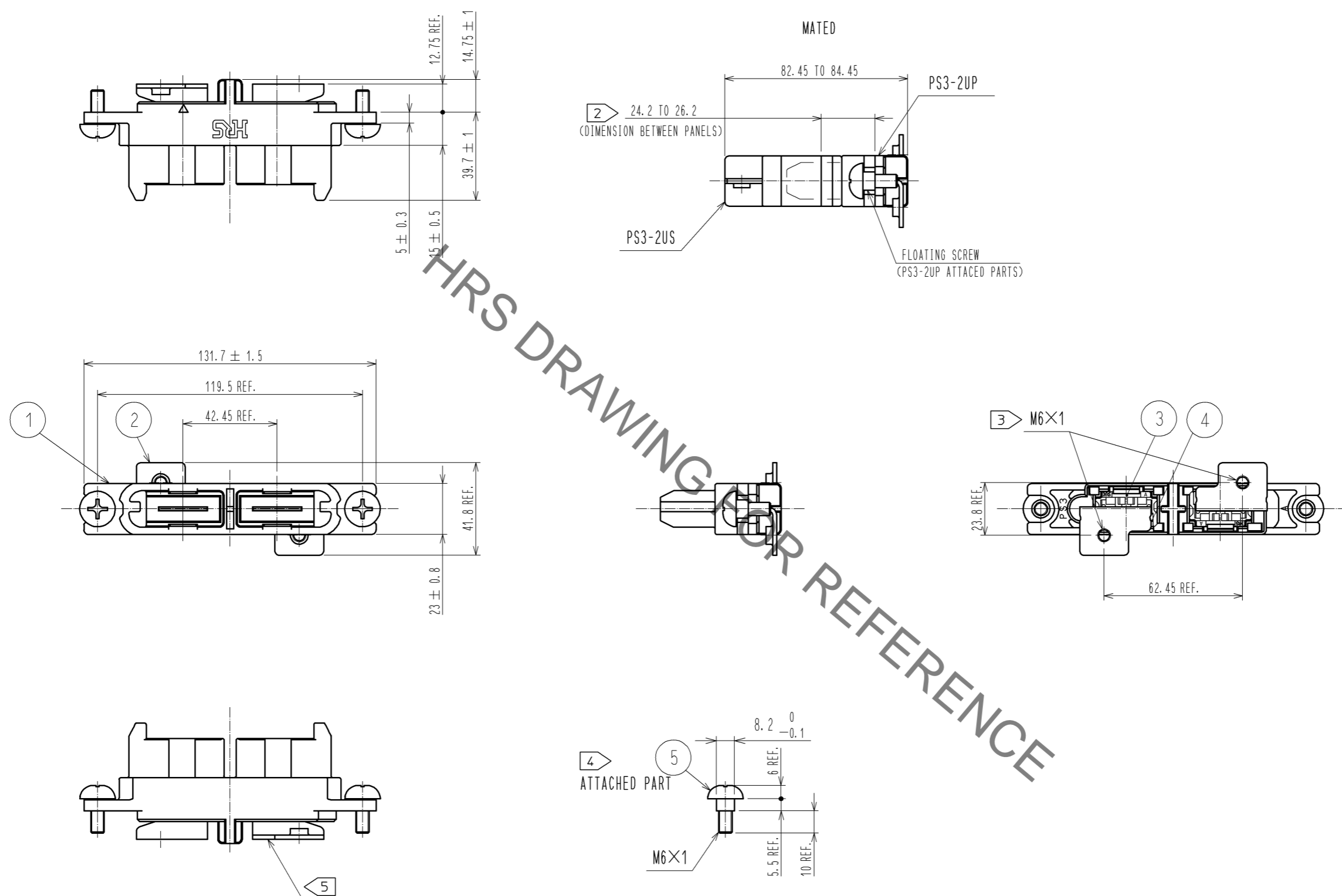


Feb.1.2020 Copyright 2020 HIROSE ELECTRIC CO., LTD. All Rights Reserved.
 In case of consideration for using Automotive equipment / device which demand high reliability, kindly contact our sales window correspondents.

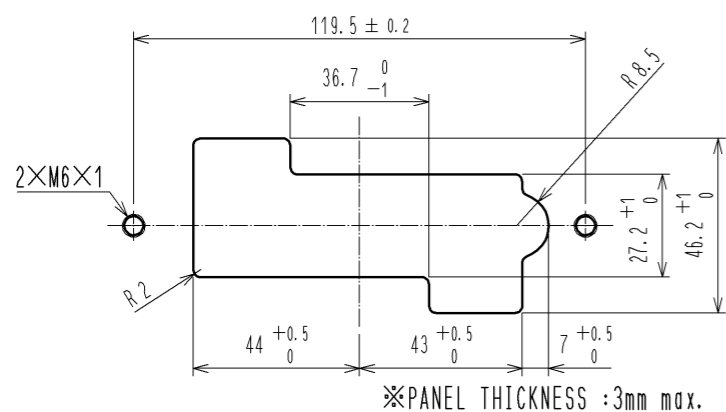


2	COPPER ALLOY	SILVER PLATING 3 μm MIN	5	COPPER	NICKEL PLATING 2 μm MIN
1	PBT	BLACK, UL94V-0	4	PBT	BLACK, UL94V-0
			3	PBT	BLACK, UL94V-0
NO.	MATERIAL	FINISH, REMARKS	NO.	MATERIAL	FINISH, REMARKS
UNITS		SCALE	COUNT	DESCRIPTION OF REVISIONS	
mm		1 : 2		DESIGNED	CHECKED
HRS HIROSE ELECTRIC CO., LTD.		APPROVED : NM. NISHIMATSU	14.05.28	DRAWING NO. EDC3-128048-01	
		CHECKED : NM. NISHIMATSU	14.05.28	PART NO. PS3-2UP	
		DESIGNED : WR. YAMADA	14.05.28	CODE NO. CL236-1042-2-00	
		DRAWN : WR. YAMADA	14.05.28	DATE	

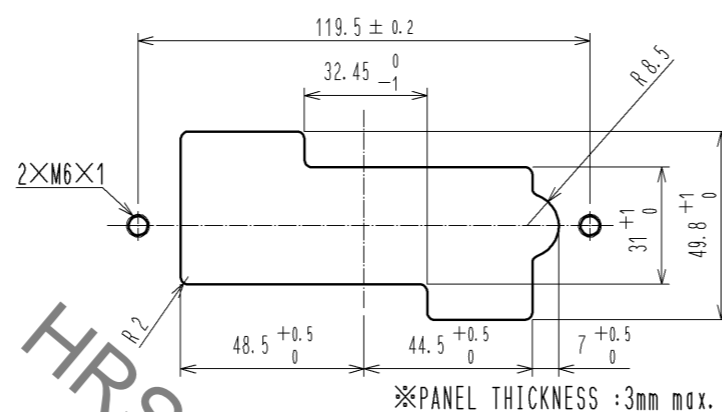
Feb.1.2020 Copyright 2020 HIROSE ELECTRIC CO., LTD. All Rights Reserved.
In case of consideration for using Automotive equipment / device which demand high reliability, kindly contact our sales window correspondents.

8 CONDITION OF SAFETY STANDARD(CUL, C-UL, TUV STANDARD)

8 FIG1. PANEL CUTOUT



8 FIG2. PANEL CUTOUT



8 TABLE 1. UL, C-UL CONDITION

	CONDITION 1	CONDITION 2
CURRENT VOLTAGE(AC/DC)	600V	
CURRENT RATING	100A	150A
CABLE	14 TO 22sq(※1)	38 TO 50sq(※1)
CREEPAGE DISTANCE(※2)	MIN:3.2mm	
CLEARANCE DISTANCE(※2)	MIN:3.2mm	

8 TABLE 2. TUV CONDITON

	CONDITION I	CONDITION II
CURRENT VOLTAGE(AC/DC)	800V	600V
CURRENT RATING	100A(CABLE 14 TO 22sq ※1) 125A(CABLE 38sq ※1) 150A(CABLE 50sq ※1)	
OVER VOLTAGE CATEGORY	II	III
POLLUTION DEGREE	3	
CREEPAGE DISTANCE(※2)	MIN:12.6mm	MIN:12.6mm
CLEARANCE DISTANCE(※2)	MIN:6mm	MIN:6mm
INSULATION SYSTEM	BASIC INSULATION (PANEL HAS THE EARTH)	

8 TABLE 3. TUV CONDITON

	CONDITION III
CURRENT VOLTAGE(AC/DC)	1000V
CURRENT RATING	100A(CABLE 14 TO 22sq ※1) 125A(CABLE 38sq ※1) 150A(CABLE 50sq ※1)
OVER VOLTAGE CATEGORY	III
POLLUTION DEGREE	3
CREEPAGE DISTANCE(※2)	MIN:16mm
CLEARANCE DISTANCE(※2)	MIN:8mm
INSULATION SYSTEM	BASIC INSULATION (PANEL HAS THE EARTH)

※1 : AS SCREWS AND CRIMP TERMINAL ATTACHED WITH POWER CONTACT HAVE AN IMPACT ON THE CREEPAGE DISTANCE AND THE CLEARANCE DISTANCE. PLEASE USE RECOMMENDED SCREWS AND CRIMP TERMINALS.
IN CASE YOU USE CABLES OTHER THAN FOLLOWING RECOMMENDED SCREWS AND CONTACTS,
PLEASE BE CAREFUL THAT THE CREEPAGE DISTANCE AND THE CLEARANCE DISTANCE MEET THE STANDARD OF UL, C-UL, TUV.

※2 : THE COVERAGE OF THE CREEPAGE DISTANCE AND THE CLEARANCE DISTANCE IS AS FOLLOWS.
-BETWEEN CRIMP TERMINALS
-BETWEEN POWER CONTACT AND PANEL
-BETWEEN CRIMP TERMINAL AND PANEL
-BETWEEN SCREWS (ATTACHEHD WITH POWER CONTACT) AND PANEL

- NOTE
1. THE MATING PARTNER OF THIS PRODUCT IS PS3-2US(CCL236-1041-0-00).
 - 2 PLEASE SET THE DISTANCE BETWEEN PANELS AS 24.2 TO 26.2mm.
 - 3 THE TIGHTNING TORQUE FOR THE SCREW ATTACHED WITH REF NO. ② IS 2.5 TO 5.2 N · m.
THE RECOMMENDED SCREW AND TERMINAL IS AS FOLLOWS.
-RECCOMEDND SCREW : JIS B 1188 SPRING WASHER + CROSS RECESSED PAN HEAD SCREW WITH CAPTIVE POLISHED CIRCULAR WASHER M6 × 12
-RECOMMENDED CRIMP TERMINAL
CABLE 14sq : JIS C 2805 R14-6
CABLE 22sq : JIS C 2805 R22-6
CABLE 38sq : MANUFACTURED BY NICHIFU CO.,LTD R38-6S
CABLE 50sq : MANUFACTURED BY NICHIFU CO.,LTD R60-6S
 - 4 THE SCREW USED TO ATTACH THE PANEL IS M6.
THE TIGHTNING TORQUE FOR SCREW IS 2.5 TO 5.2 N · m.
 - 5 SINCE THE POWER CONTACTS ARE SILVER PLATED, THEY MAY REACT WITH SULFIDE IN THE ATOMOSPHER TO CHANGE THE COLOUR TO BLACKISH BROWN.
 6. THE PRODUCT HAS FLOATING STRUCTURE WHICH CAN BE FLOATED 2.0 mm MAX.
THE FLEXIBLE CABLE USED TO CONNECT WITH RECEPTACLE IS RECOMMENDED.
 7. THE SALES UNIT OF THIS PRODUCT IS THE CARTON (40 PIECES)
 - 8 THIS ITEM IS APPROVED BY SASFETY STANDARD(CUL, C-UL, TUV STANDARD)
IN CASE RECOMMENDED PANEL 1 SHOWN IN THE FIGURE 1 IS USED,
APPROVED BY THE CONDITION OF TABLE 1 AND TABLE 2.
IN CASE RECOMMENDED PANEL 2 SHOWN IN THE FIGURE 2 IS USED,
APPROVED BY THE CONDITION OF TABLE 3.
SAFETY STANDARD IS DEFERRENT UP TO THE APPLIED RATED VOLTAGE AND CURRENT
PLEASE SEE THE TABLE 1 AND TABLE 2.
 9. THE POWER CONTACT OF THIES PRODUCT IS NOT APPLICABLE FOR HOT-SWAP.
IT CAN NOT BE USED TO INTERRUPT THE POWER.

HRS DRAWING FOR REFERENCE

HRS	DRAWING NO.	EDC3-128048-01
	PART NO.	PS3-2UP
	CODE NO.	CL236-1042-2-00

