

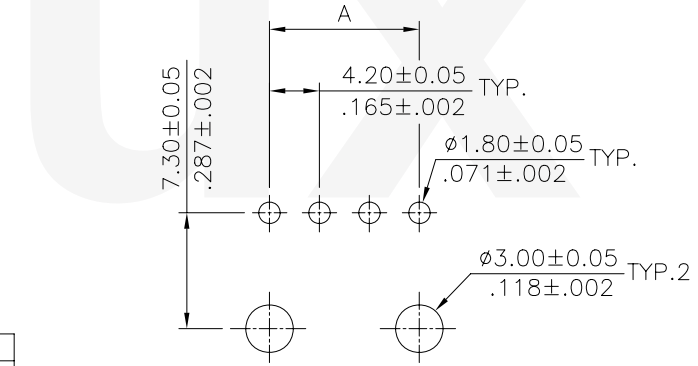
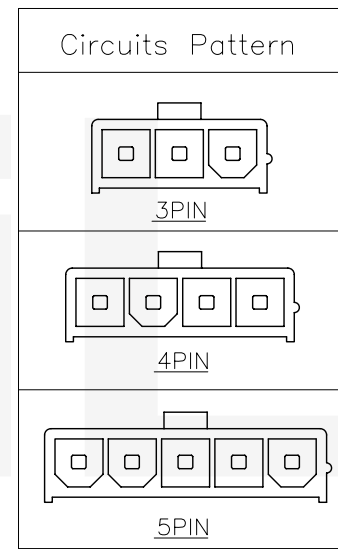
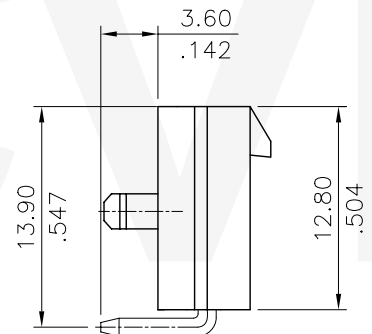
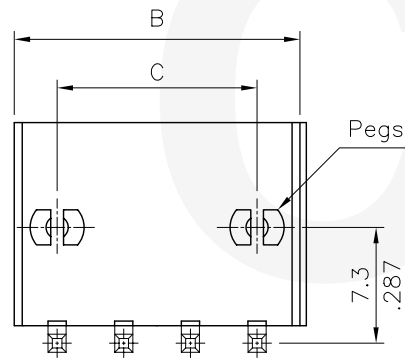
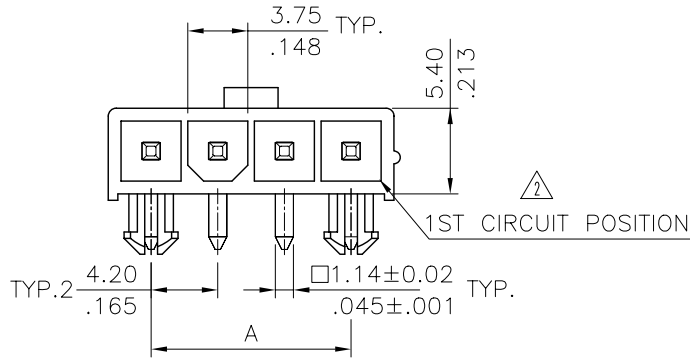
Material:

- * Insulation: Nylon 66 , Color Nature
- * Contact: Brass

Ordering Code:

CP-01 4 ** 1 * S
 ① ② ③ ④ ⑤ ⑥

- ① Series No.
- ② Type of Connector:
4= Right angle PCB mount header
- ③ No of Circuits:
- ④ Plating Code: 1= Tin over Nickel
2= Gold flash plated over Nickel
3= 0.38 μ m(15 μ ”) Gold plated over 1.27 μ m(50 μ ”) Nickel
4= 0.76 μ m(30 μ ”) Gold plated over 1.27 μ m(50 μ ”) Nickel
- △ ⑤ Variation: 4= UL 94V-2, With mounting pegs
5= UL 94V-0, With mounting pegs
- ⑥ S= Single Row Header



Recommended P.C. Board Layout

Circuits	Dimension		
	A	B	C
3	8.4(.331)	13.8(.543)	8.4(.331)
4	12.6(.496)	18.0(.709)	12.6(.496)
5	16.8(.661)	22.2(.874)	16.8(.661)

Halogen-Free Tin-Lead Process RoHS Compliant

△4					DATE	UNIT: mm / inch	TITLE: RIGHT ANGLE HEADER	瀚荃股份有限公司 CviLux Corporation		
△3					DRAWN BY: Sandy	9/19-08'	CP-01 POWER CONNECTOR			
△2	Sandy	9/19-08'	ECN08463		ENGINEER: Eisley	9/19-08'	MATERIAL:	DRAWING NO. CP0158AC	PART NO. CP-014**14S	
△1	Hank	10/4 07'	ECN07412		CHECKED BY: Alex	9/19-08'	.X ± 0.38/.015 X' ± r'	FINISH:	SCALE 3 / 1	SHEET 1 OF 1
SYM	NAME	DATE	REVISIONS		APPROVED BY: Alex	9/19-08'	.XX ± 0.25/.010 .X' ±			
						.XXX ± 0.10/.004 .XX' ±				