

# Series 355 & 356

## Terminal Blocks for PC-Boards Pluggable with Pin Header Strips (355 & 356系列)

印刷線路板用接線端子座 - 對插式端子座

Front Wire Inlet Type - Top Screw, Spacing 3.5mm or 7.0mm,  
Height Over PC-Board 10.0mm  
前方入線型 - 頂部操作 · 間距3.5mm或7.0mm · 殼體高度10.0mm



355-031-12-00



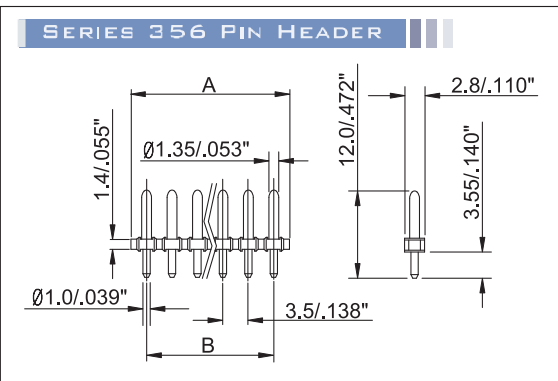
355-031-12-00  
(With Pin Header)



356-031-00-00



### SERIES 356 PIN HEADER



PITCH	Dimension A	Dimension B
3.5mm	n x 3.5	(n - 1) x 3.5
7.0mm	n x 7.0	(n - 1) x 7.0

## SPECIFICATIONS

## 技術資料

### MATERIAL 材料

- **Contact 觸點(metal housing 金屬殼體):**  
Brass, Tin plated / 黃銅 · 銅錫電鍍
- **Terminal Screw 螺絲:**  
Steel galvanized and chromated / 鋼 · 五彩電鍍
- **Wire Guard 保護片:**  
Brass, Tin plated / 黃銅 · 鍍錫
- **Insulator Body 絕緣體(housing 殼體)**  
Poly Butylene Terephthlene, PBT (30% Glass filled) (UL 94 V-0)
- **Pins 針腳(Series 356):**  
Brass, Nickel and Tin plated / 黃銅 · 銅錫電鍍
- **Insulator Body 絕緣體(Series 356)**  
Polyamide PA66 (UL 94 V-0) / 尼龍PA66 (UL 94 V-0)

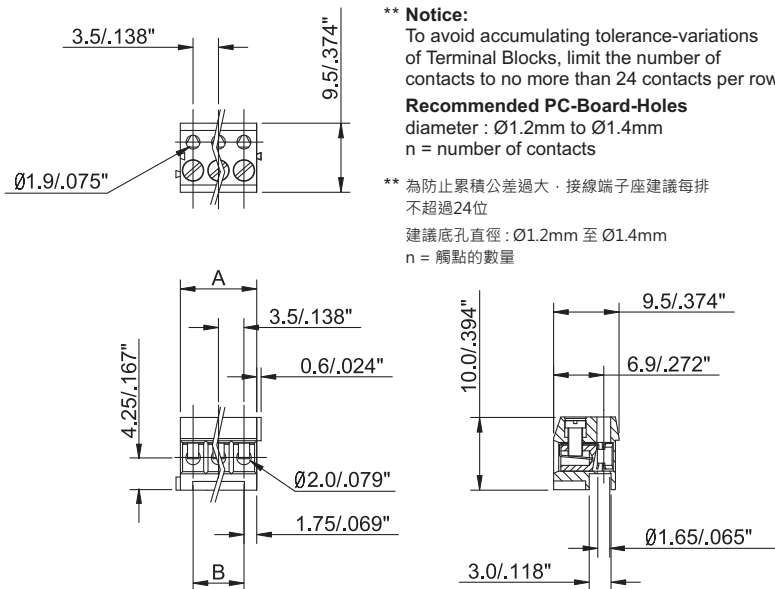
### ELECTRICAL 電機方面

- **Current Rating 工作電流:** 7 Amp
- **Dielectric Strength 電介質:** 2500V
- **Rated Voltage 額定電壓:** 250V
- **Rated Cross Range:**
  - with wire guard 連保護片的額定線徑: 0.5mm<sup>2</sup>
  - without wire guard 無保護片的額定線徑: 1.0mm<sup>2</sup>
- **Resistance to Tracking 絕緣阻值:** 5MΩ
- **Insulation Withstands Voltage 耐電壓:** AC1500V/Min
- **Rated Cross Section 額定線徑:** 1.5mm<sup>2</sup>
- **AWG 適用線號:** 28 - 16
- **Stripping Length 剝線長度:** 4.0 - 4.5mm

### MECHANICAL 機械方面

- **Operating Temperature 工作溫度:** -30°C to +120°C
- **Short Time Peak Temperature 短暫能容溫度:** +200°C max

### SERIES 355 TERMINAL BLOCK



## HOW TO ORDER 排序整理

Pin Header

3 5 6 - X X X - 0 0 - 0 0

Terminal Block

3 5 5 - X X X - 1 X - 0 0

Series No.  
系列編號

No. of Pole  
針腳數目

Pitch 間距  
1 3.5mm  
2 7.0mm

Color 顏色  
1 Grey 灰  
2 Blue 藍  
3 Black 黑  
4 Green 綠