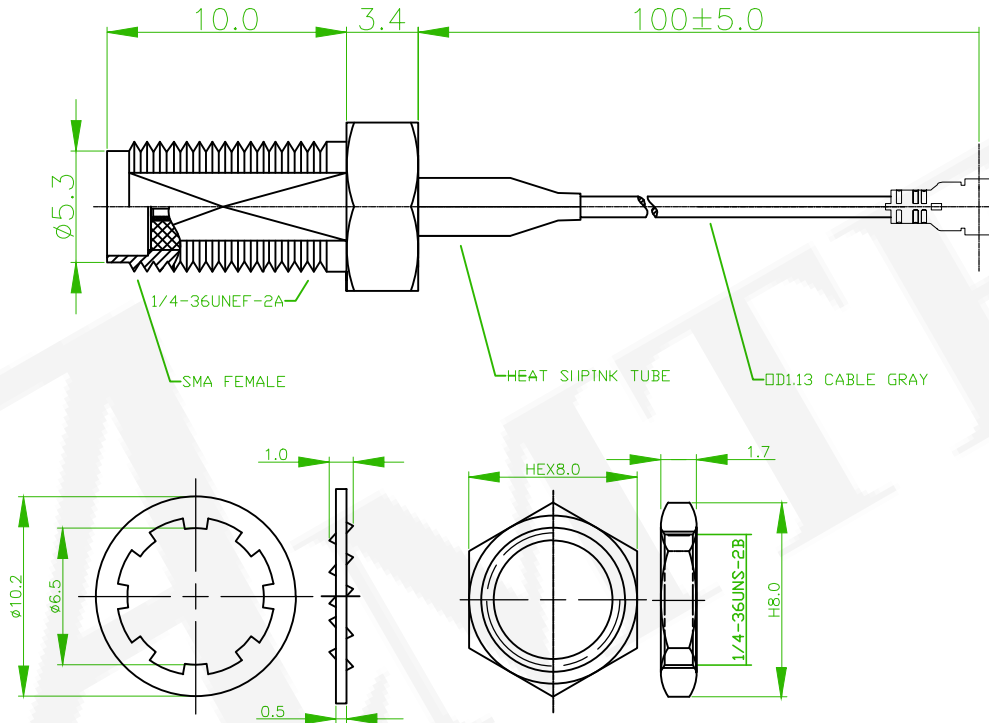


SPECIFICATION

Working Voltage: 250V AC
 Withstand Voltage: 1000V, 50Hz, rms
 Insulation Resistance: 5000M OHM Min.
 Impedence: 50 OHM
 VSWR: ≤1.3 0-2.4 GHz;
 ≤1.6 2.4-6.0 GHz
 Insertion Loss: -0.8dB 0-2.4 GHz;
 -1.7dB 2.4-6.0 GHz



AMTEK 糧德
 2022.12.29
 Released DCC



REV.	ECN NO. OR DESCRIPTION	REVISED	DATE

糧德精密有限公司
 Amtek Technology Co., Ltd.
 TEL: 886-2-2260-6878
 FAX: 886-2-2260-8030

品名 TITLE	RF Cable SMA Female				頁數 Page	1/1
品號 PART NO.	61CAR-00213			繪圖 DRAWN	Rex 2022/12/29	
圖號 DRAWING NO.	GN130-RE016	版本 REV.	A	核對 CHECKED	Josh 2022/12/29	
客戶品號 CUSTOMER P/N		比例 SCALE	None	承認 APPROVED	Josh 2022/12/29	
公差 TOLERANCE		單位 UNIT	mm	THIRD ANGLE PROJECTION		