

Series 308

SPECIFICATIONS

技術資料

Terminal Blocks for PC-Boards Machined Type Insert (308系列)

印刷線路板用接線端子座 - 車床銅柱

Front Wire Inlet Type - Top Screw, Spacing 2.54mm or 5.08mm,
Height Over PC-Board 8.5mm
前方入線型 - 頂部操作 · 間距2.54mm或5.08mm · 殼體高度8.5mm



308-021-12-00



RoHS

**** Notice:**

To avoid accumulating tolerance-variations of Terminal Blocks, limit the number of contacts to no more than 24 contacts per row

Recommended PC-Board-Holes
diameter : Ø1.2mm to Ø1.4mm
n = number of contacts

** 為防止累積公差過大，接線端子座建議每排不超過24位

建議底孔直徑：Ø1.2mm 至 Ø1.4mm
n = 觸點的數量

MATERIAL 材料

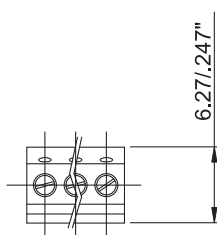
- **Contact 觸點(metal housing 金屬殼體):**
Brass, Tin plated / 黃銅 · 銅錫電鍍
- **Terminal Screw 螺絲:**
Steel galvanized and chromated / 鋼 · 五彩電鍍
- **Surface of Solder Tail 針腳電鍍:**
Tin plated / 鍍錫
- **Insulator Body 絕緣體(housing 殼體)**
Polyamide PA66 (UL 94 V-0) / 尼龍PA66 (UL 94 V-0)

ELECTRICAL 電機方面

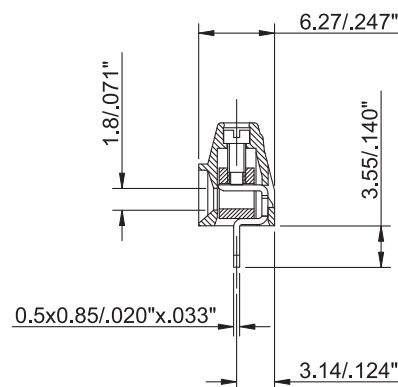
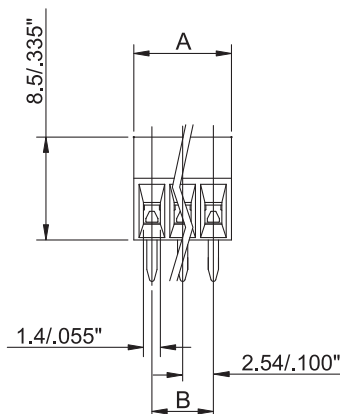
- **Current Rating 工作電流:** 8 Amp
- **Dielectric Strength 電介質:** 2500V
- **Rated Voltage 額定電壓:** 250V
- **AWG 適用線號:** 26 -18
- **Resistance to Tracking 絕緣阻值:** 5MΩ
- **Insulation Withstands Voltage 耐電壓:** AC1500V/Min
- **Conductor Size 適用線徑範圍:** 0.5 - 1.0mm²
- **Stripping Length 剝線長度:** 3.7 - 4.7mm

MECHANICAL 機械方面

- **Operating Temperature 工作溫度:** -40°C to +105°C
- **Short Time Peak Temperature 短暫能容溫度:** +200°C max



PITCH	Dimension A	Dimension B
2.54mm	n x 2.54	(n - 1) x 2.54
5.08mm	n x 5.08	(n - 1) x 5.08



HOW TO ORDER 排序整理

