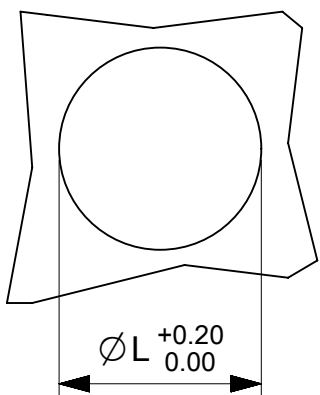


FORATURA PANNELLO  
PANEL DRILLING



$\varnothing L$
mm
54.5



scale 1:1

SYMBOLS	THIS DRAWING CONTAINS INFORMATION THAT IS PROPRIETARY TO MOLEX ELECTRONIC TECHNOLOGIES, LLC AND SHOULD NOT BE USED WITHOUT WRITTEN PERMISSION												
	DIMENSION UNITS		SCALE		CURRENT REV DESC:								
$\nabla = 0$	mm		1:1		<p>EC NO: 170943</p> <p>DRWN: AKHEMIRI 2018/01/17</p> <p>CHK'D: DMERONI 2018/01/17</p> <p>APPR: AMELZI 2018/01/19</p>								
$\nabla E = 0$	GENERAL TOLERANCES (UNLESS SPECIFIED)												
$\nabla F = 0$	ANGULAR TOL ± °				<p>7000.6897.0</p> <p>METAL CABLE GLAND IP68 5 BAR WITH GASKET PG42</p>								
$\nabla S = 0$	4 PLACES ±												
$\nabla \blacktriangledown = 0$	3 PLACES ±				<p>PRODUCT CUSTOMER DRAWING</p>								
$\nabla \nabla = 0$	2 PLACES ±												
$\nabla \boxtimes = 0$	1 PLACE ±				<p>INITIAL REVISION:</p> <p>DRWN: AKHEMIRI 2018/01/17</p> <p>APPR: AMELZI 2018/01/19</p>								
$\blacksquare = 0$	0 PLACES ±												
$\nabla = 0$	DRAFT WHERE APPLICABLE MUST REMAIN WITHIN DIMENSIONS		FIRST ANGLE PROJECTION		DRAWING		SERIES		DOCUMENT NUMBER		DOC TYPE	DOC PART	REVISION
			A4-SIZE		93600		936000065		PSD	000	A		

<b>molex</b>				
7000.6897.0				
METAL CABLE GLAND IP68 5 BAR WITH GASKET PG42				
PRODUCT CUSTOMER DRAWING				
DOCUMENT NUMBER		DOC TYPE	DOC PART	REVISION
936000065		PSD	000	A
MATERIAL NUMBER		CUSTOMER		SHEET NUMBER
936000065		GENERAL MARKET		1 OF 1

DOCUMENT STATUS	P1	RELEASE DATE	2018/01/19	12:05:51
-----------------	----	--------------	------------	----------