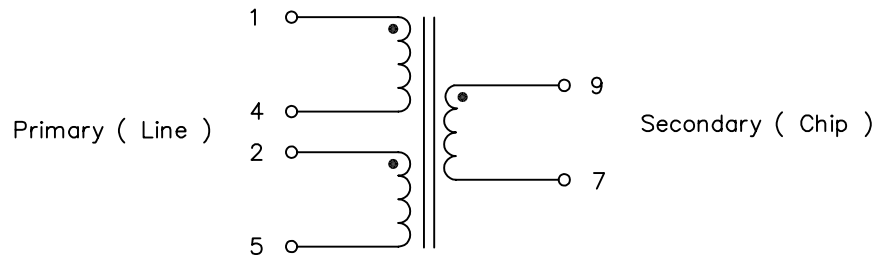


HR051392

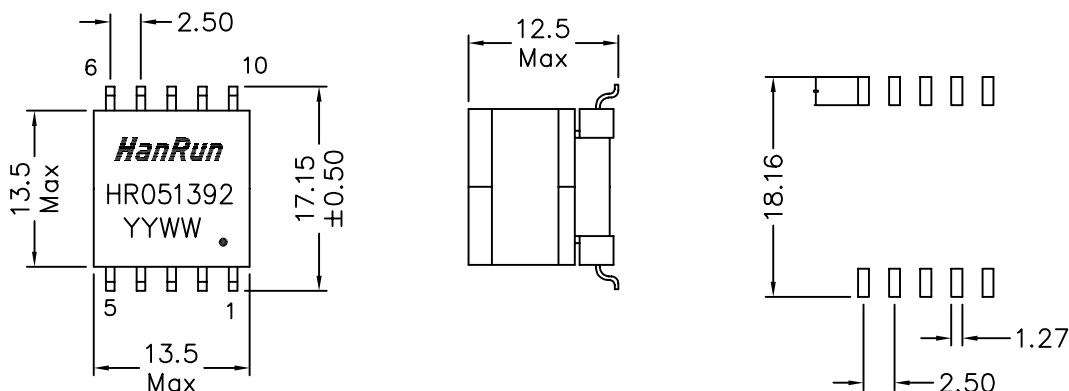
Electrical Specification @25°C

- RoHS Compliant (Pb Free)
- Isolation PIN1-9: 1875VAC , 1S , 0.5mA Max , tie(2+4)
- PIN1-5/PIN9-7 Turns Ratio : 4.5:1 ±2% , tie(2+4)
- PIN1-4/PIN2-5 Turns Ratio : 1:1 ±2%
- PIN1-5 Inductance : 3.0mH ± 10% @ 10KHz 0.1VAC , tie(2+4) , Ls
- PIN1-5 Inductance : 3.0mH ± 10% @ 10KHz 0.1VAC 100mADC , tie(2+4) , Ls
- PIN1-5 Leakage Inductance : 35uH Max @ 100KHz 0.1VAC ,tie(2+4,9+7) , Ls
- PIN1-4 DC Resistance : 4.8 ohms ±10%
- PIN2-5 DC Resistance : 4.8 ohms ±10%
- PIN9-7 DC Resistance : 0.88 ohms ±10%
- P1-9 Interwinding Capacitance : 170pF Max @ 10KHz 0.1VAC ,tie(2+4), Cs
- PIN 1-5/PIN9-7 THD : -75dB Max @ 5KHz 5V of Vgen,135 ohms/6.7 ohms,tie(2+4)
- Longitudinal Balance : -50dB Min @ 5KHz ~ 400KHz
- Operating Temperature Range : -40°C ~ +85°C

Schematics



Mechanical Dimensions



Suggested PCB Layout

Unless otherwise specified,
Tol.: .xx ± 0.25 (mm)