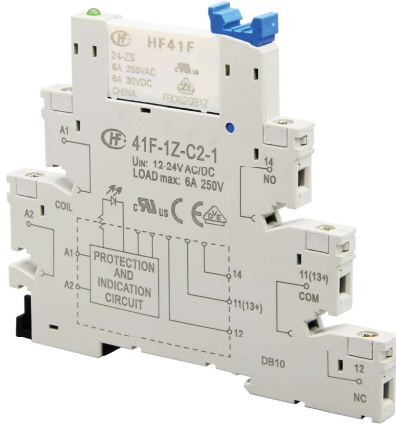


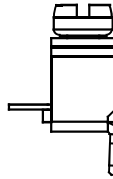
# 41F Series

# Screw press wire frame Relay Socket



## ORDERING INFORMATION

Type	41F	-1Z	-C2	-1
Contact arrangement	1Z: 1 Form C			
Termination & mounting	C2: Screw press wire frame			
Built in module	1: (12-24)VAC/DC    2: (48-60)VAC/DC 3: (110-125)VAC/DC    4: (220-240)VAC/DC 5: (6-24)VDC			



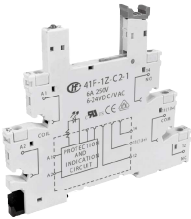
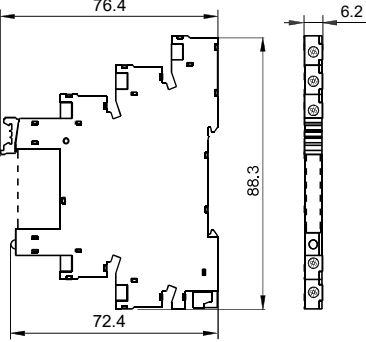
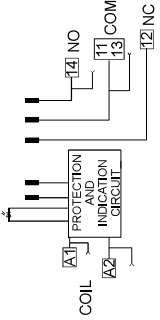
File No.:E253370    File No.:40020043

## CHARACTERISTICS

Type	Nominal Voltage	Nominal Current	Ambient Temperature	Input Voltage	Relay's Applicable Rated Voltage	Polarity of Input Voltage	Screw Torque	Wire Strip Length	Unit weight	Min. package qty.
41F-1Z-C2-1	250VAC	6A	-40°C~70°C	(12~24)VAC/DC	(12~24)VDC	No requirement	0.5N·m	7mm	Approx.27g	10
41F-1Z-C2-2	250VAC	6A	-40°C~70°C	(48~60)VAC/DC	(48~60)VDC	No requirement	0.5N·m	7mm	Approx.25g	10
41F-1Z-C2-3	250VAC	6A	-40°C~55°C	(110~125)VAC/DC	60VDC	No requirement	0.5N·m	7mm	Approx.27g	10
41F-1Z-C2-4	250VAC	6A	-40°C~55°C	(220~240)VAC/DC	60VDC	No requirement	0.5N·m	7mm	Approx.27g	10
41F-1Z-C2-5	250VAC	6A	-40°C~70°C	(6~24)VDC	(6~24)VDC	Requirement	0.5N·m	7mm	Approx.24g	10
41F-1Z-C2-5(012)	250VAC	6A	-40°C~70°C	(6~24)VDC	(6~24)VDC	No requirement	0.5N·m	7mm	Approx.24g	10

**Notes:** When the 41F-1Z-C2-1 socket is applied to the relay of 12VDC nominal voltage, the relay of which pick-up voltage =70% nominal voltage should be required and the special order of relay allowed. 41F-1Z-C2-4 is not allowed in continuous electricity conditions.

## OUTLINE DIMENSIONS, WIRING DIAGRAM AND PC BOARD LAYOUT

Socket (If need accessory, please order with type.)	Outline Dimensions	PCB Layout	Accessory Available
41F-1Z-C2-1/2/3/4  	 (Top View)		Marker: 41F-M 41F-M1 Retainer: 41F-J1(blue) 41F-J1R(red) 41F-J1B(black) Plug-in module: 41F-S

Screw terminal,  
DIN rail mounting,  
With finger protection device  
Certified by VDE and UL/CUL

Next page



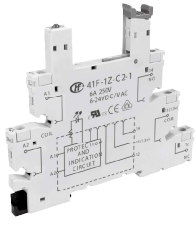
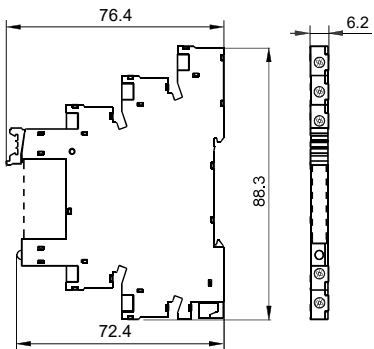
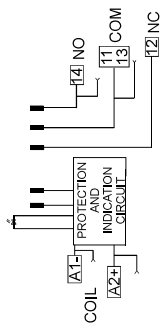
HONGFA RELAY

ISO9001, IATF16949, ISO14001, ISO45001, IECQ QC 080000, ISO/IEC 27001 CERTIFIED

2023 Rev. 1.01

## OUTLINE DIMENSIONS, WIRING DIAGRAM AND PC BOARD LAYOUT

Previous page

Socket (If need accessory, please order with type.)	Outline Dimensions	PCB Layout	Accessory Available
<p><b>41F-1Z-C2-5</b></p>  <p>Screw terminal, DIN rail mounting, With finger protection device Certified by VDE and UL/CUL</p>	 <p style="text-align: center;">(Top View)</p>		<p>Marker: 41F-M 41F-M1</p> <p>Retainer: 41F-J1(blue) 41F-J1R(red) 41F-J1B(black)</p> <p>Plug-in module: 41F-S</p>

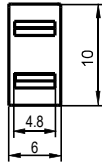
**Notes:** If need accessory, please order with type.

## DIMENSION OF RELATED ACCESSORY (AVAILABLE)

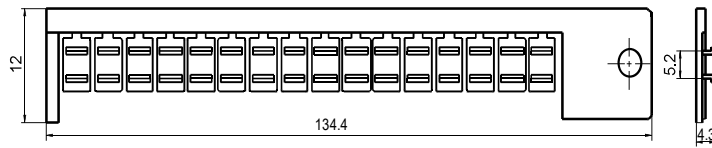
Unit: mm

### Marker

#### 41F-M

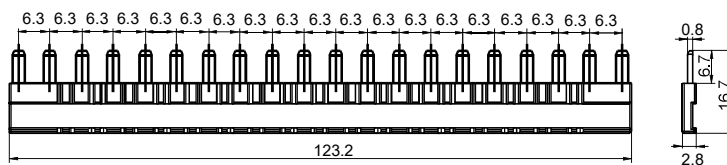


#### 41F-M1



### Jumper

#### 41F-J1(blue), 41F-J1R(red), 41F-J1B(black)



## DIMENSION OF RELATED ACCESSORY (AVAILABLE)

Unit: mm

### Separator

41F-S



Things to be noticed when selecting sockets:

1. Please choose suitable relay socket according to the actual mounting environment, relay contact poles and terminal layout. If there is any query on selection, please contact Hongfa for the technical service;
2. Relevant accessories must be selected separately. Please indicate the model of the selected accessories when ordering;
3. Main outline dimension, outline dimension > 50mm, tolerance should be  $\pm 1\text{mm}$ ;  $20\text{mm} < \text{outline dimension} \leq 50\text{mm}$ , tolerance should be  $\pm 0.5\text{mm}$ ;  $5\text{mm} < \text{outline dimension} \leq 20\text{mm}$ , tolerance should be  $\pm 0.4\text{mm}$ , outline dimension  $\leq 5\text{mm}$ , tolerance should be  $\pm 0.3\text{mm}$ ;
4. DIN rail mounting: recommend to use standard rail  $35 \times 7.5 \times 1\text{mm}$ ,  $35 \times 15 \times 1\text{mm}$ , When installed vertically, the coil terminal at the bottom please.

## Precautions For Use

1. Please use the quick-break fuse with rating of 15Amp. for short-circuit protection.
2. It may cause failure, fire or malfunction, when the sockets is continuously applied the power to for a long term In case of exceeding the upper limit ambient temperature. So please ensure that the ambient temperature is within the upper limit when using sockets.

Operating temperature upper limit:  $55^\circ\text{C}$ : 41F-1Z-C2-3/4

Operating temperature upper limit:  $70^\circ\text{C}$ : 41F-1Z-C2-1/2/5

3. Things to be noticed when selecting soft wiring.

The soft wiring can be divided into the following types.

- Twisted line or single wire below  $2.5\text{mm}^2$  or below AGW14.
- Within 2 roots when the twisted below  $1.5\text{mm}^2$  or below AGW16.

Be sure to use this size that the front end of the wire needs to be stripped of the 7mm~8mm insulation protection layer.

(Figure 1)

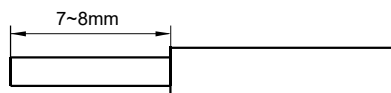


Figure 1

- Use the recommended screwdriver specifications when wiring.  
Plus driver: Shaft Diameter  $\varnothing 3.5\text{mm}$ .  
Single driver: Figure 2.
- Recommended tightening torque:  $0.5\text{N}\cdot\text{m}$ .

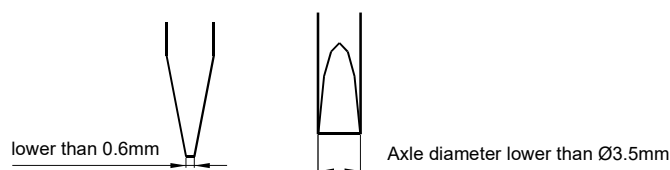


Figure 2

## Precautions For Use

### 4. Mounting relay.

Presents the socket anti-stripping spring in an open state (see Figure 6), and aligns the relay to the main socket cavity (Figure 7). Then turn the buckle counterclockwise and press the relay gently until it is fully plugged into the socket (Figure 8).

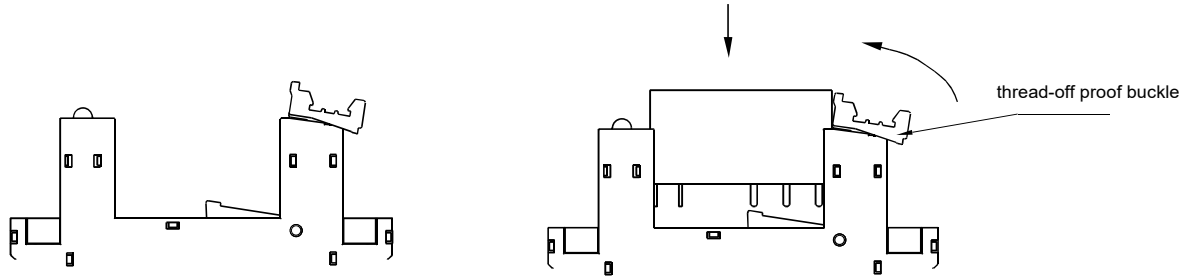


Figure 6

Figure 7

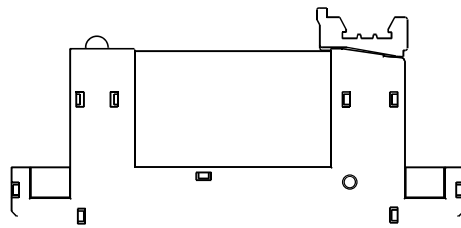


Figure 8

### 5. Disassembly relay

Disconnect the relay by pulling the anti lock buckle of the socket clockwise (see Figure 9).

**Note:** When disassembling the relay, please note that the relay may be suddenly ejected and cause the relay to fall or be lost. Therefore, when disassembling the relay, be sure to squeeze the relay by hand before Pull the anti-release catch clockwise to disassemble the relay.

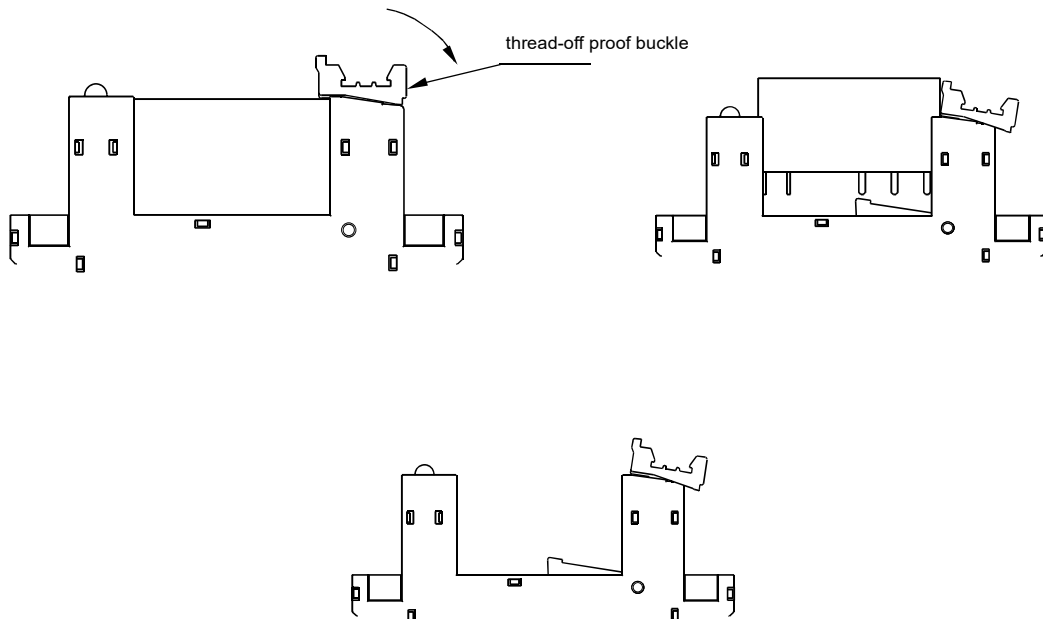


Figure 9

## Precautions For Use

### 6. Installation socket

Insert the A of the socket into the rail and press it in the direction of the arrow.(Figure 11).

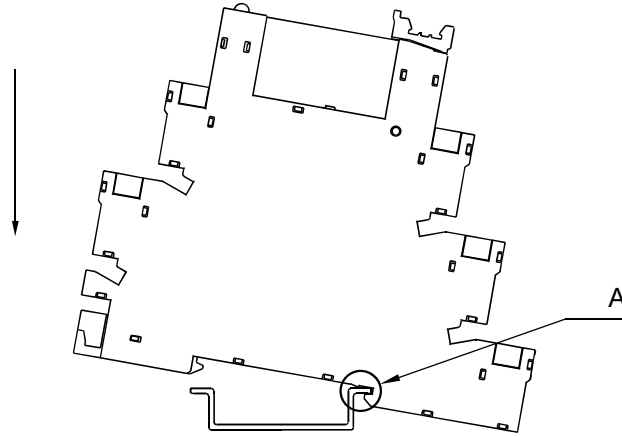


Figure 10

### 7. Disassembly socket

Insert a screwdriver into B, turn in the direction of the arrow, lift the socket and remove the socket.(Figure 12)

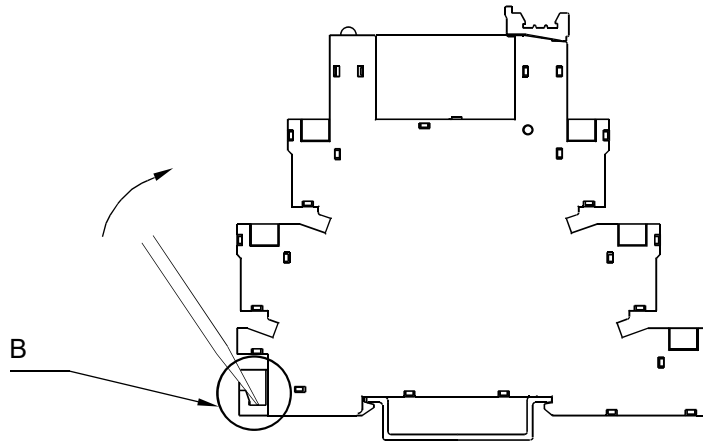


Figure 11

For your personal safety and the normal operation of the equipment, as well as to prevent fire, please note the following issues :

1. The rated current of the socket should be no less than the rated current of the relay.
2. Sockets are required to be firmly fixed to prevent the wiring from loosening and affecting the quality of wiring.
3. Be sure to disconnect power to the outlet before installation, disassembly, wiring, maintenance and inspection.
4. prevent foreign objects such as wire shavings from falling inside this product when wiring.
5. Be sure to install the relay in place, and use accessories such as retainer if necessary to improve contact reliability. Do not use with incomplete connections.
6. Be sure to observe the relay ratings and do not overload the relay.
7. Before selecting a relay, make sure that the drive voltage matches the relay excitation voltage.

### Disclaimer

The specification is for reference only. See to "Terminology and Guidelines" for more information. Specifications subject to change without notice. We could not evaluate all the performance and all the parameters for every possible application. Thus the user should be in a right position to choose the suitable product for their own application. If there is any query, please contact Hongfa for the technical service. However, it is the user's responsibility to determine which product should be used only.

© Xiamen Hongfa Electroacoustic Co., Ltd. All rights of Hongfa are reserved.