

DRW系列画册

DRW SERIES ALBUM



Whatsapp / Mobile: +86-13723481458

Tel: 86-755-83222882

E-mail: ivy@szomk.com.cn

Web: www.chinaenclosure.com

ADD: 616 Room,505 Building,Shangbu
industry,Hangtian road,Futian
district,Shenzhen.China

深圳市福田区航天路上步工业区505栋616室

Room 101, Building 1, No. 267, Zhen'an West Road,
Chang'an Town, Dongguan City

东莞市长安镇长安振安西路267号1栋101室

No.82, Xinheng Road, Yulin Town, Cixi City,
Zhejiang Province

浙江省慈溪市逍林镇新横路82号

深圳市奥科姆电子有限公司

SHENZHEN OMK ELECTRONICS CO.,LTD

精工壳体一站式服务商



PCB MOUNTING BRACKET

Length 30mm-350mm, 1m, arbitrary cutting!

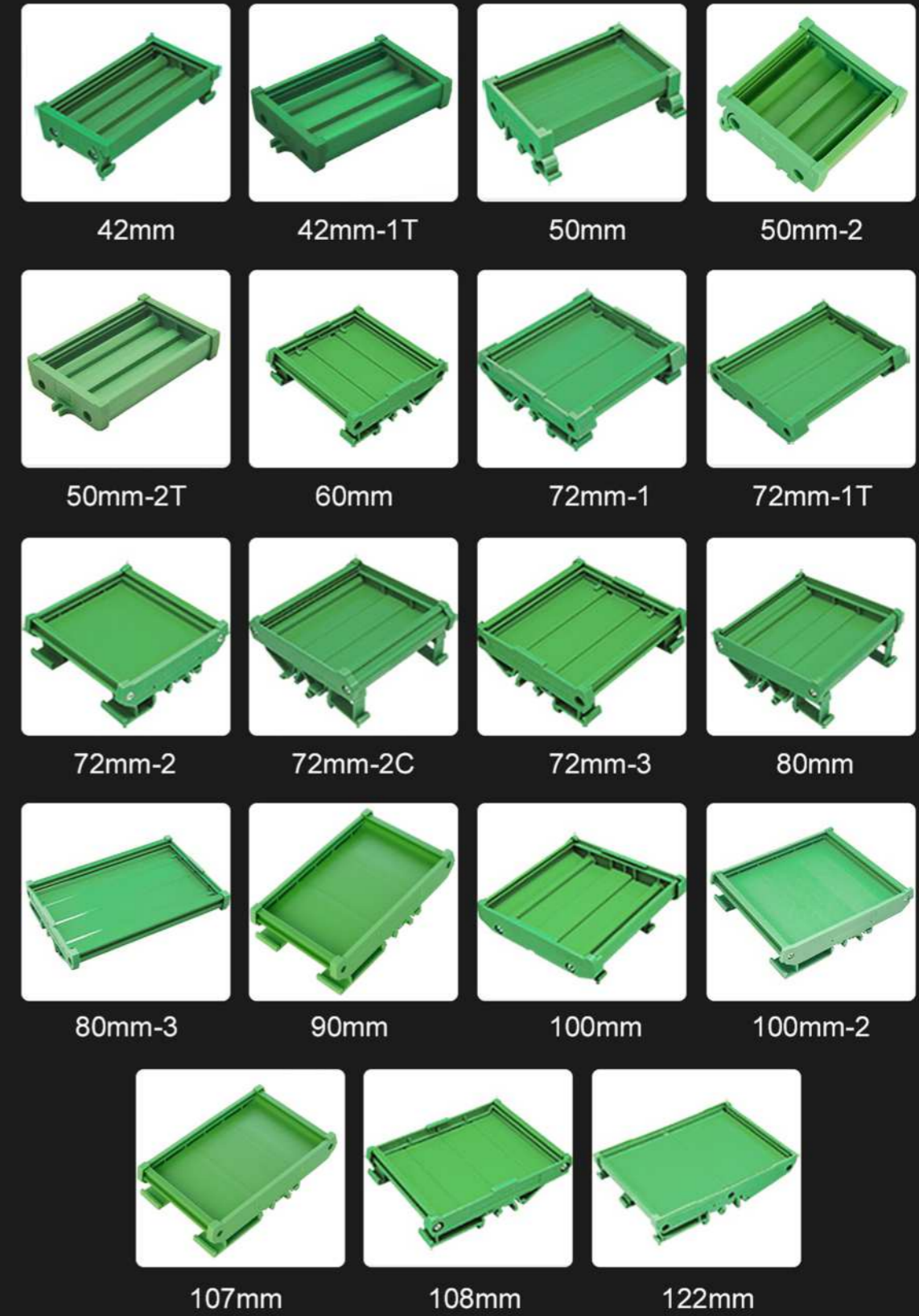
Width 42MM-122MM, complete specifications, support customization

- Orange
- Green
- Black



Stand wear and tear	Quality assurance	Thickish wear-resistant	Integrated molding

STANDARD PLUG HOUSING



DETAIL DISPLAY

1

FLEXIBLE USE

According to the length and installation space of the module required by customers, we can cut the bottom plate flexibly.



2

INSTALLATION STRUCTURE

The new shell match various printed circuit boards. Professionally accurate to mm. Widely used by installing various electronic circuit boards.



3

WORKMANSHIP

Flame retardant PVC mounting bracket, thickish and wear-resistant, easy to install, time-saving and labor-saving.



4

FIXED INSTALLATION

TS15 / 28 / 35 DIN-RAIL MOUNTING

The bottom plate can connect to two side baffles by screws. The whole shell will be fixed on the Din Rail with high mechanical stability



INSTALL INTRODUCE

1 The thickness of guide rail shall be 0.8-1.2mm, and aluminum guide rail shall be selected as far as possible

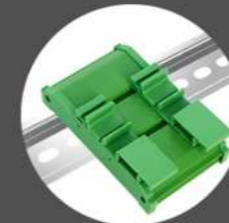
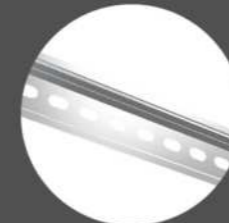
2 Select this fixed position at the bottom

3 The bottom guide rail hooks this position

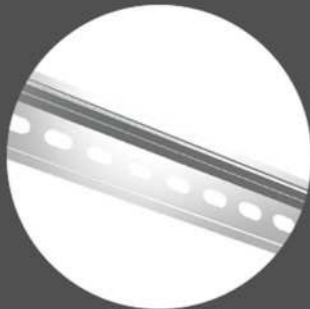
4 Press gently in this direction, and the beak will snap in. Installation is over

5 When disassembling, use a screwdriver to gently tilt the movable baffle on both sides

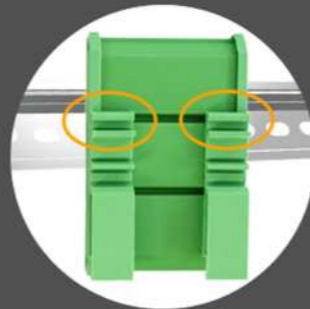
6 Installation and removal are so fast and convenient



INSTALL INTRODUCE



1 The thickness of guide rail shall be 0.8-1.2mm, and aluminum guide rail shall be selected as far as possible



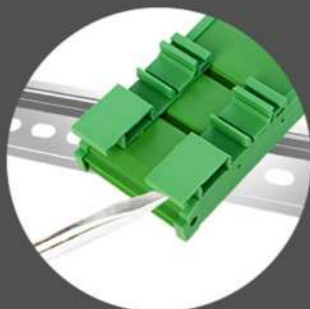
2 Select this fixed position at the bottom



3 The bottom guide rail hooks this position



4 Press gently in this direction, and the beak will snap in. Installation is over



5 When disassembling, use a screwdriver to gently tilt the movable baffle on both sides



6 Installation and removal are so fast and convenient

PRODUCT PARAMETERS

PRODUCT BRAND:

SZ OMK

COLOR MATERIAL:

GREEN, ORANGE, BLACK

PRODUCT NAME:

EXTRUSION STRIP HOUSING
PCB MOUNTING BRACKET

INSULATION CLASS:

FLAME RETARDANT GRADE V0

WIDTH:

42MM, 50MM, 60MM, 72MM
80MM, 90MM, 100MM, 107MM
108MM, 122MM

LENGTH OF BASE PLATE:

CAN BE CUT ACCORDING TO PCB

CUTTABLE LENGTH:

CUSTOMIZABLE LENGTH

INSTALLATION METHOD:

DIN RAIL MOUNTING C45 RAIL MOUNTING



LEFT AND RIGHT BAFFLE

PURCHASE BAFFLE WITH SCREWS



BOTTOM SHELL

PRODUCT PARAMETERS

PRODUCT BRAND:

SZOMK

COLOR:

GREEN, ORANGE, BLACK

PRODUCT NAME:

EXTRUSION STRIP HOUSING
PCB MOUNTING BRACKET

INSULATION CLASS:

FLAME RETARDANT GRADE V0

WIDTH:

42MM, 50MM, 60MM, 72MM
80MM, 90MM, 100MM, 107MM
108MM, 122MM

LENGTH OF BASE PLATE:

CAN BE CUT ACCORDING TO PCB

INSTALLATION METHOD:

DIN RAIL MOUNTING C45 RAIL MOUNTING

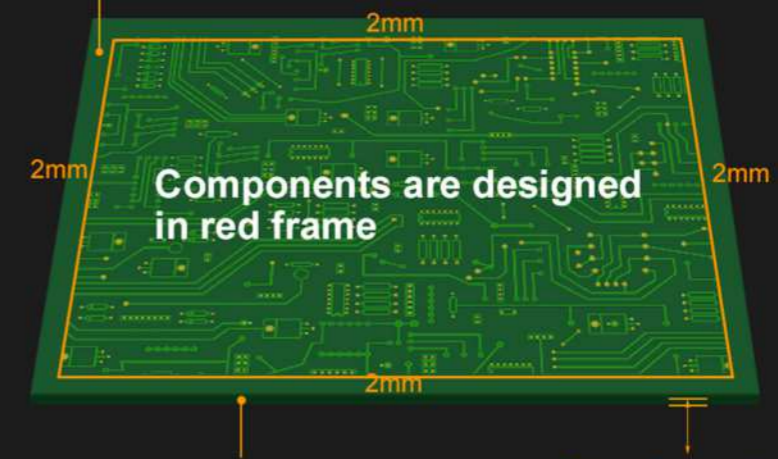


REMINDER

- ◆ The length of the base plate is flexible cutting according to the size of PCB. Please note that the gap inside the baffle where insert the PCB into. Therefore, the length of the base plate is shorten than that of the PCB board after cutting. We don't accept refund, exchange or return any commodities which have been cut. Please select cautiously. Please select according to the size of your PCB, Or contact us for your orders.

NOTICE

If there is no reserved space of 2mm on both sides of the circuit board to cut the bottom plate, contact the customer service, and do not purchase independently, otherwise the baffles on both sides will not be installed.



When designing the circuit board, 2mm space shall be reserved at the four edges to prevent the components from blocking the side slot of the bottom plate and making it impossible to install

Suitable for use with circuit board thickness of 1-2mm

HOW TO CUT THE LENGTH

The width of this series is different, and the cutting method is different

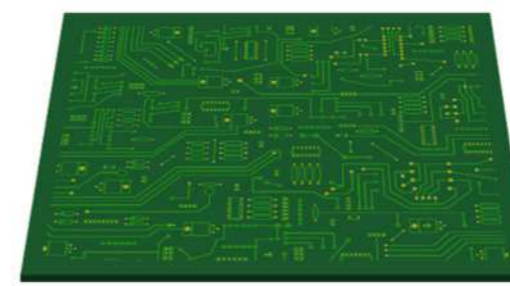
When cutting, the bottom shell is several millimeters shorter than the circuit board after cutting, and the shortened length varies with the width. The following will be described. Five widths **42mm** **50mm-2** **72mm-2C** **80mm** **100mm**. The base plate is **5mm shorter than the circuit board** after cutting these four widths. The five widths of 42mm, 50mm-2, 72mm-2C, 80mm and 100mm are the same, and the bottom plate is 5mm shorter than the circuit board after cutting. Suppose that the width of the circuit board (circuit board) you designed is 72mm and the length is 38mm, then the length of the base plate is 33mm after cutting. Because the grooves on the left and right baffles on both sides account for 5mm, the base plate is 5mm shorter than the circuit board after cutting. The relatives who need to cut the circuit board in our shop, no matter how our shop does cutting, please buy as long as the length of the circuit board you designed. Remember not to measure the length of the bottom shell to buy. If you measure the length of the bottom shell to buy, you can not return or exchange goods.

60mm **72mm-1** **72mm-2** **72mm-3** **90mm** **107mm** **108mm**

The base plate is 4mm shorter than the circuit board

50mm The base plate is 8mm shorter than the circuit board

122mm The base plate is 12mm shorter than the circuit board



Circuit board length

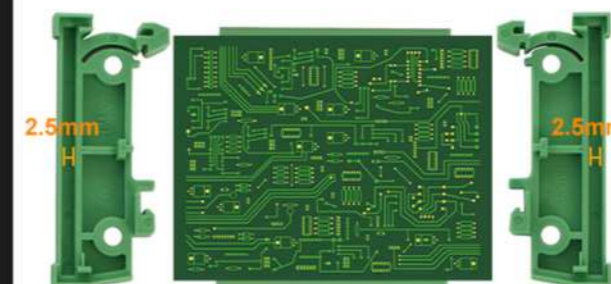
1. Circuit board length

Suppose that the length of the circuit board you designed is 38mm



2. Length of base plate

After cutting, the length of the base plate is 33mm



Left baffle clearance 2.5mm+right baffle clearance 2.5mm=5mm

3. Combined installation

The circuit board is required to be 5 mm longer than the base plate, because the grooves on both sides of the baffle occupy 5 mm

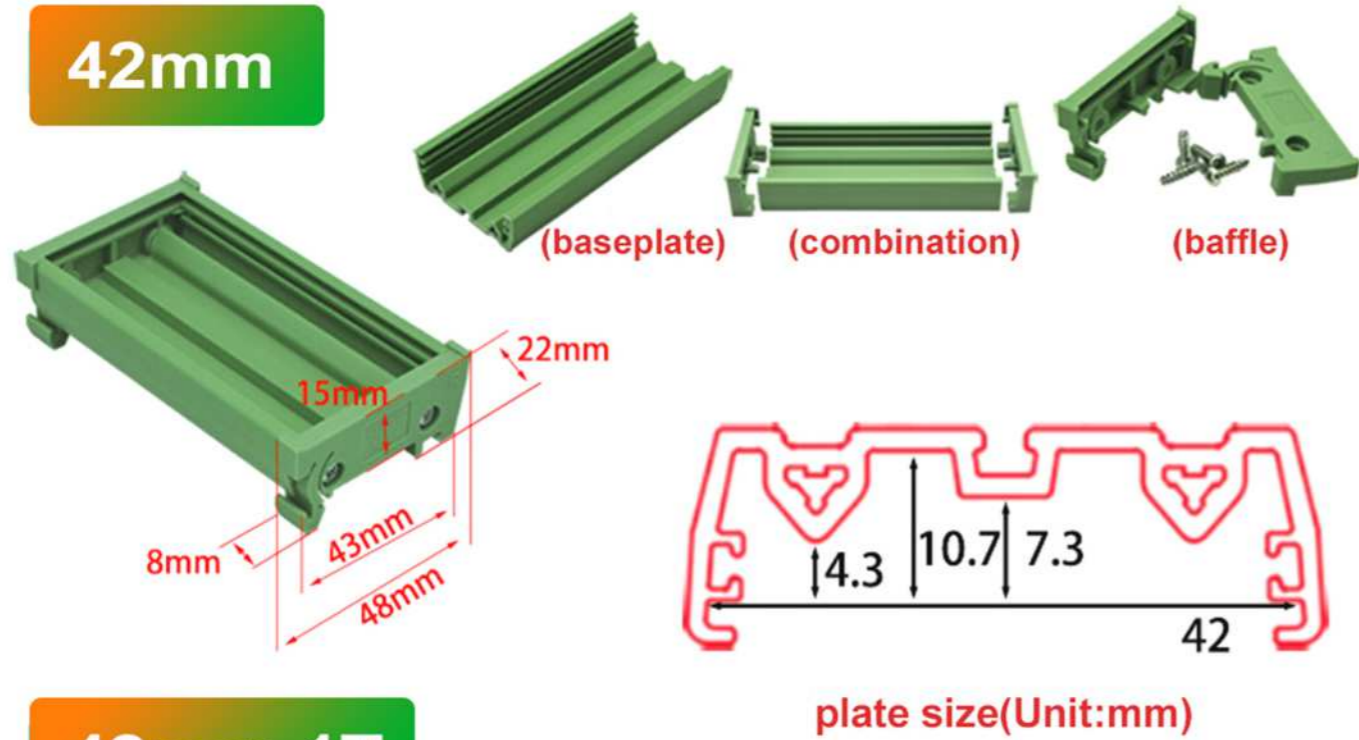


4. Just matched

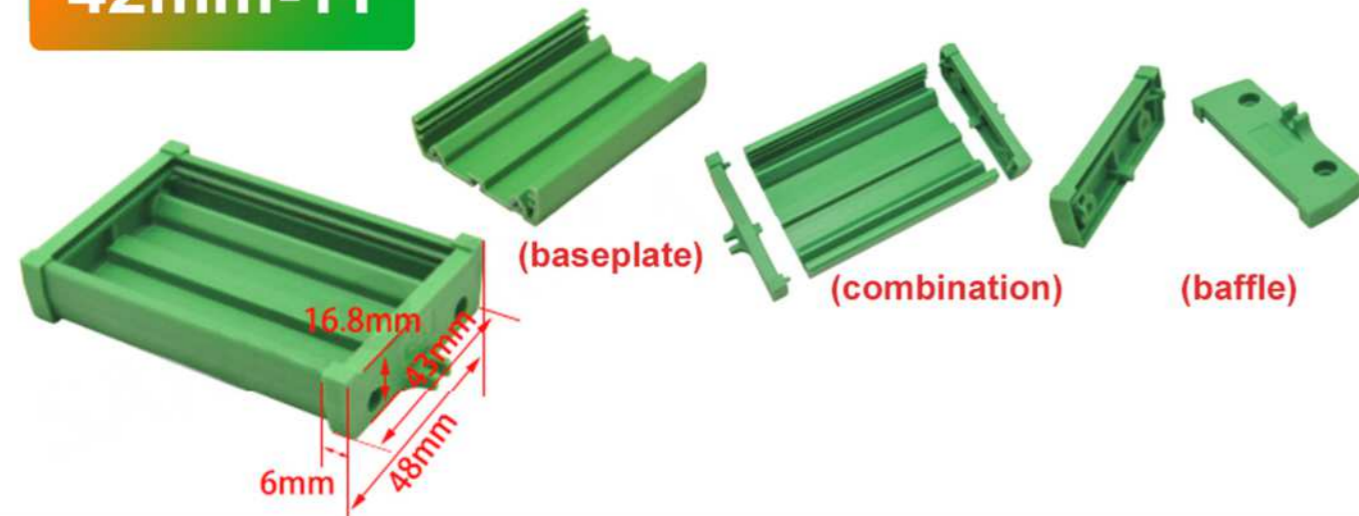
To purchase by sets, please take as many shots as the length of the circuit board you designed. Remember not to measure the length of the backplane

PRODUCT INFORMATION

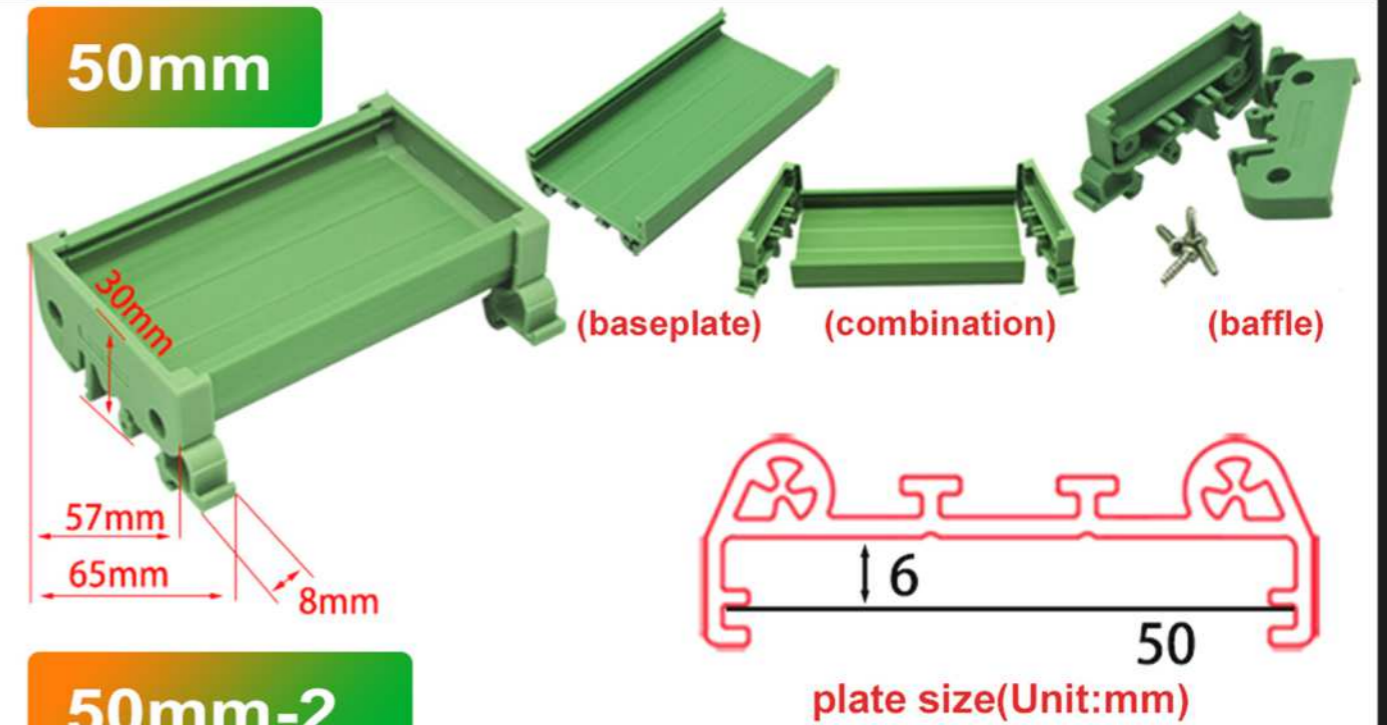
42mm



42mm-1T



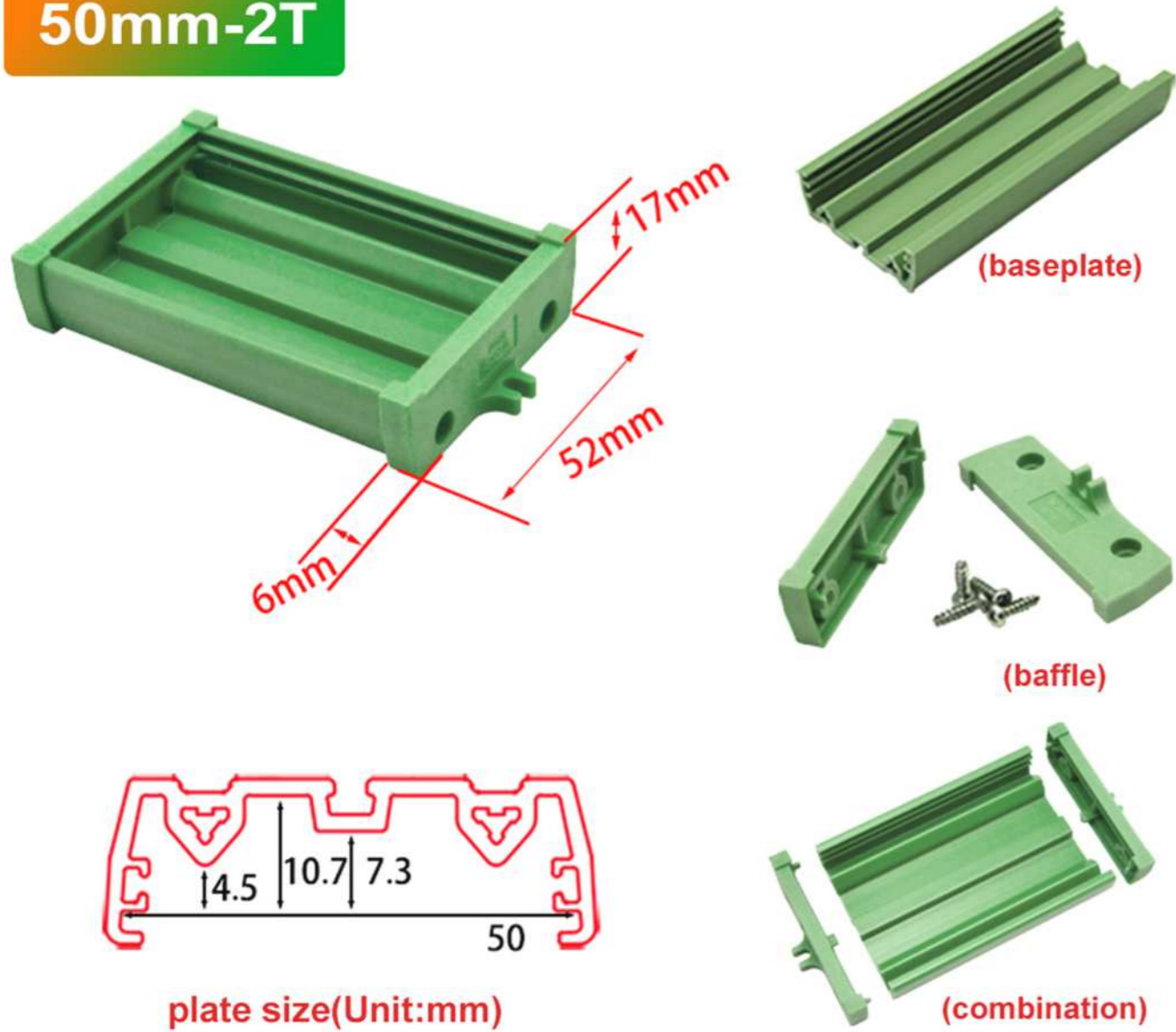
50mm



50mm-2



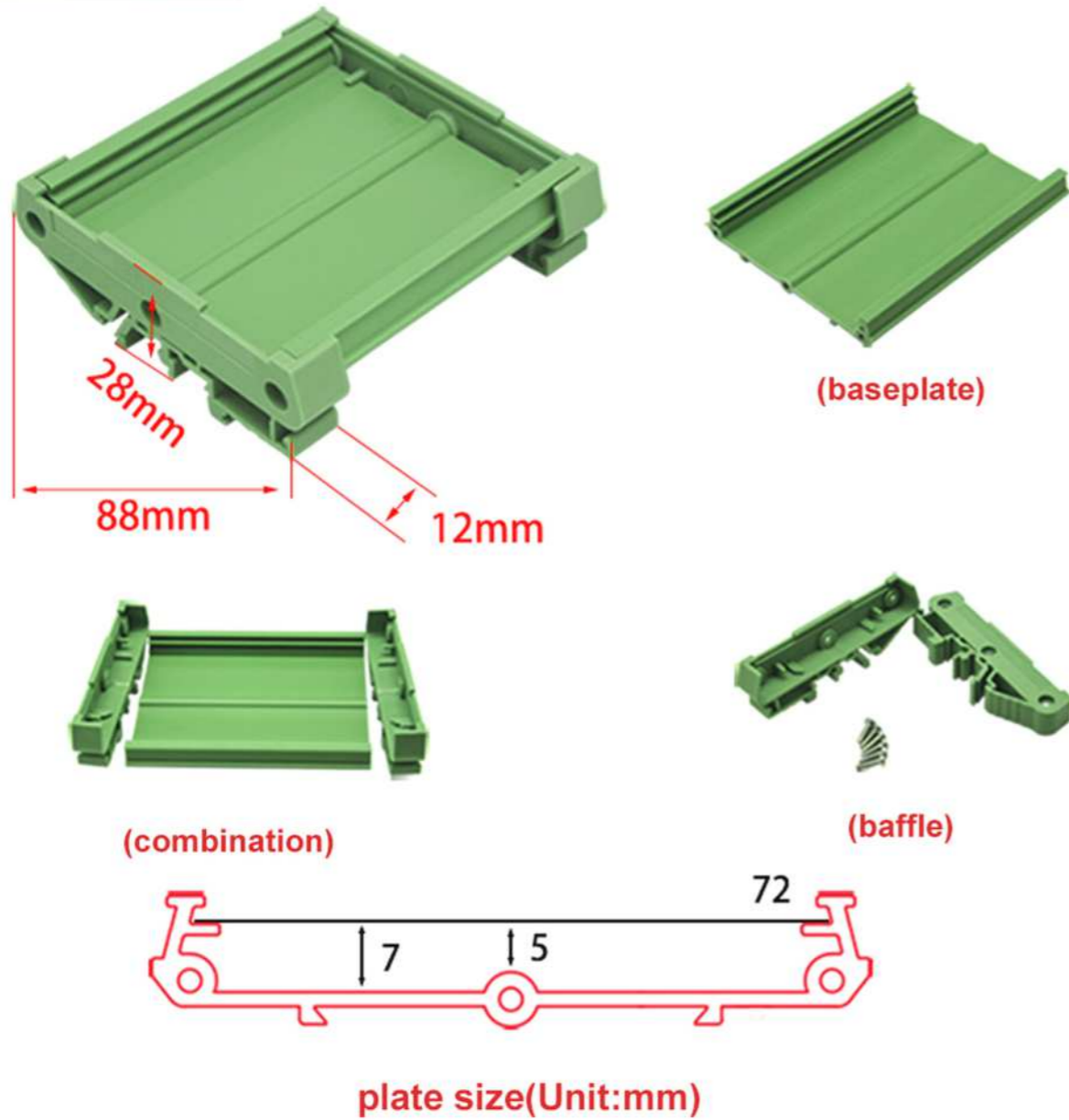
50mm-2T



60mm



72mm-1



72mm-1T



72mm-2

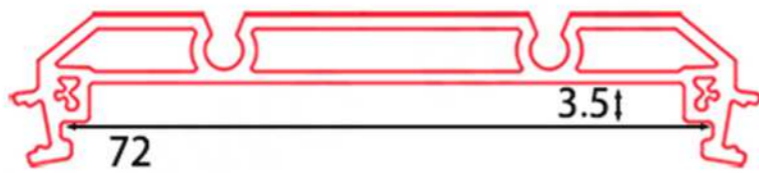
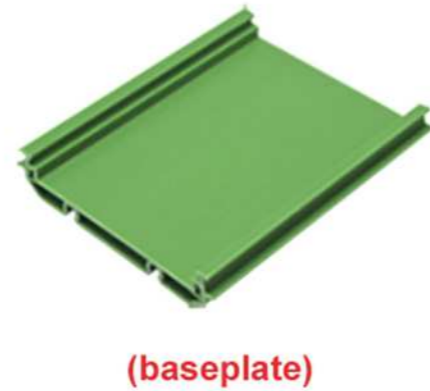
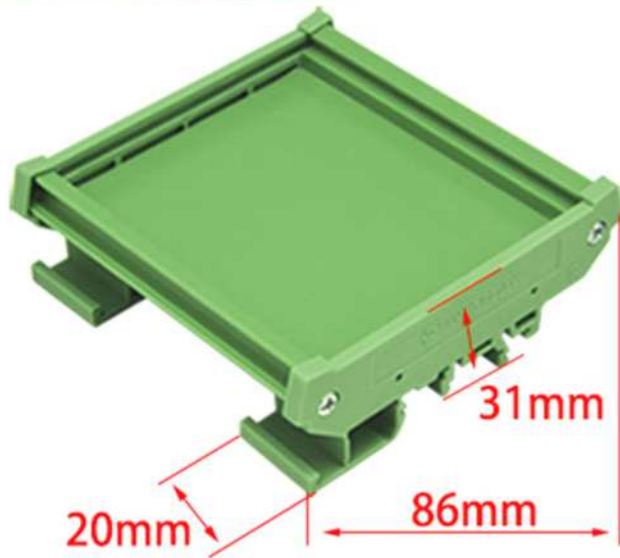


plate size(Unit:mm)

72mm-2C

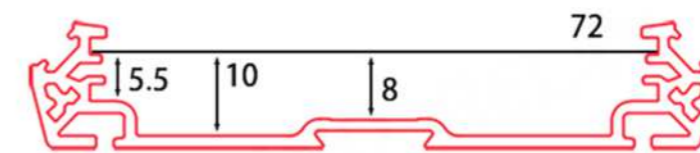
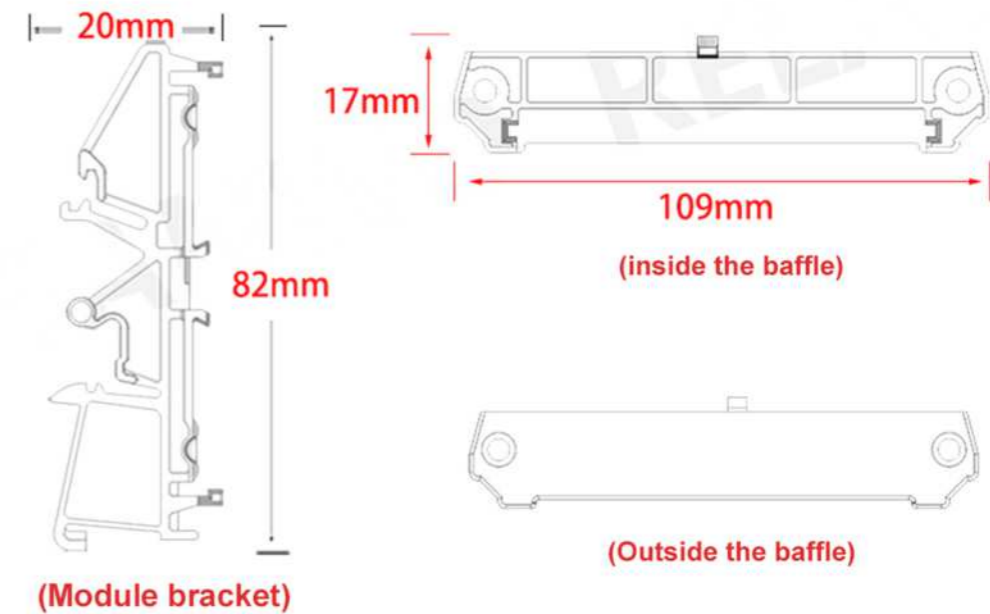
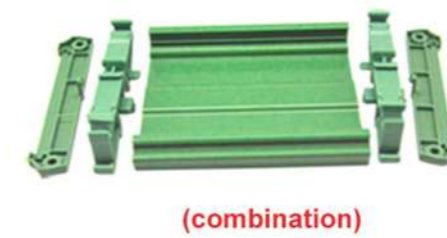
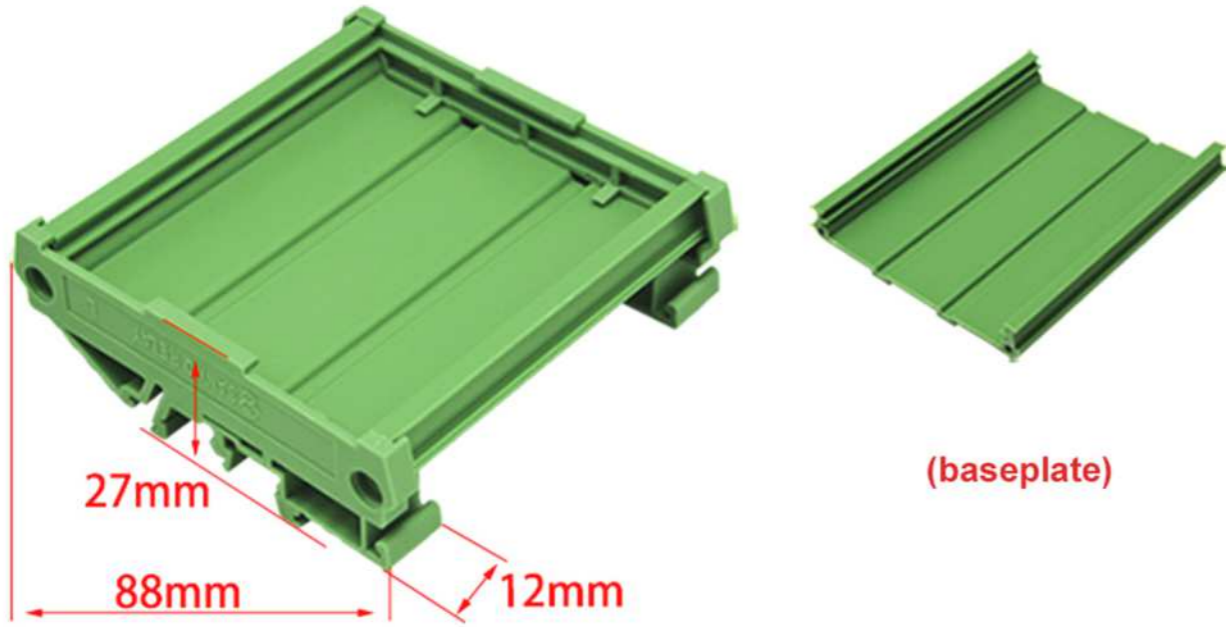


plate size(Unit:mm)

72mm-3



27mm
88mm
12mm



(combination)



(baffle)

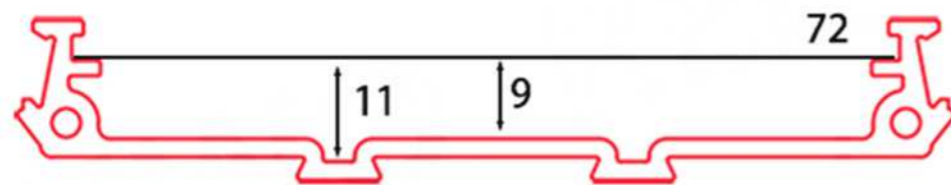
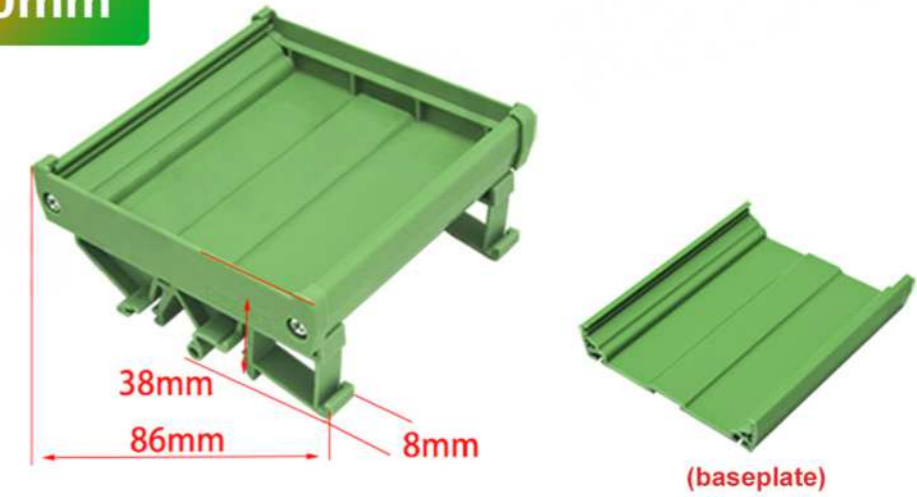


plate size(Unit:mm)

80mm



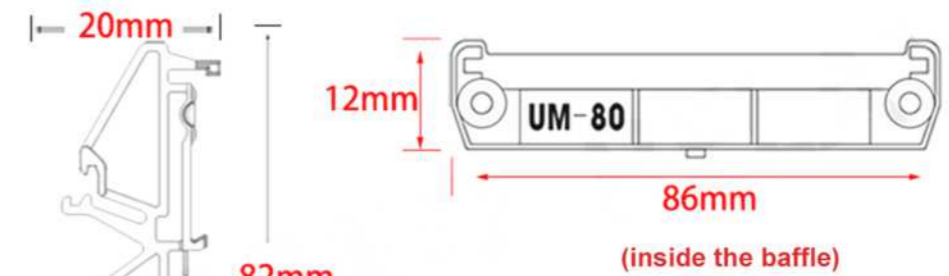
38mm
86mm
8mm



(combination)



(baffle)



(Module bracket)

(Outside the baffle)

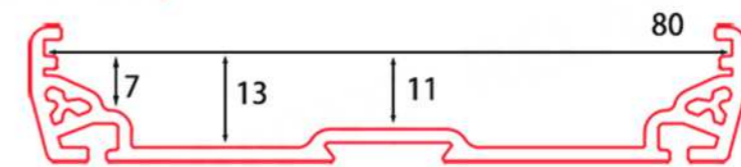


plate size(Unit:mm)

80mm-3

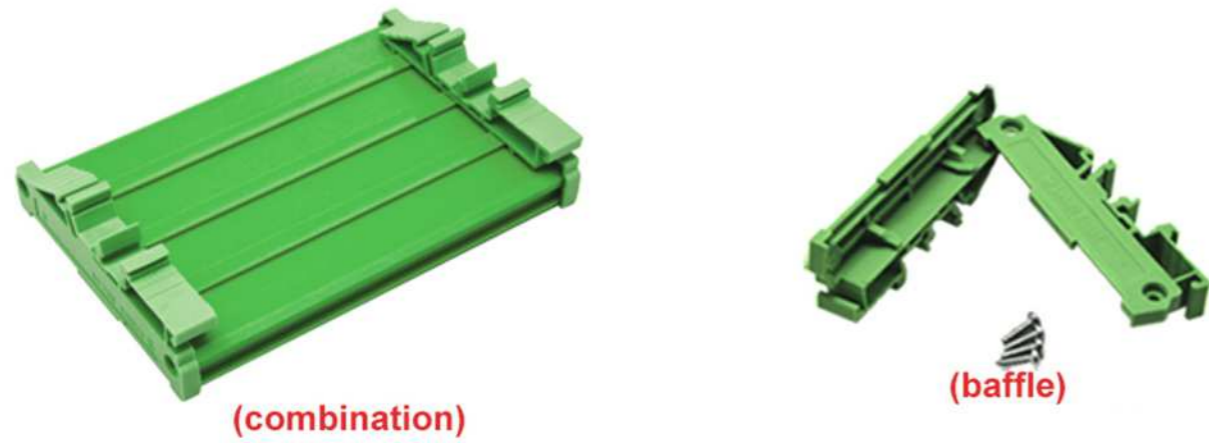
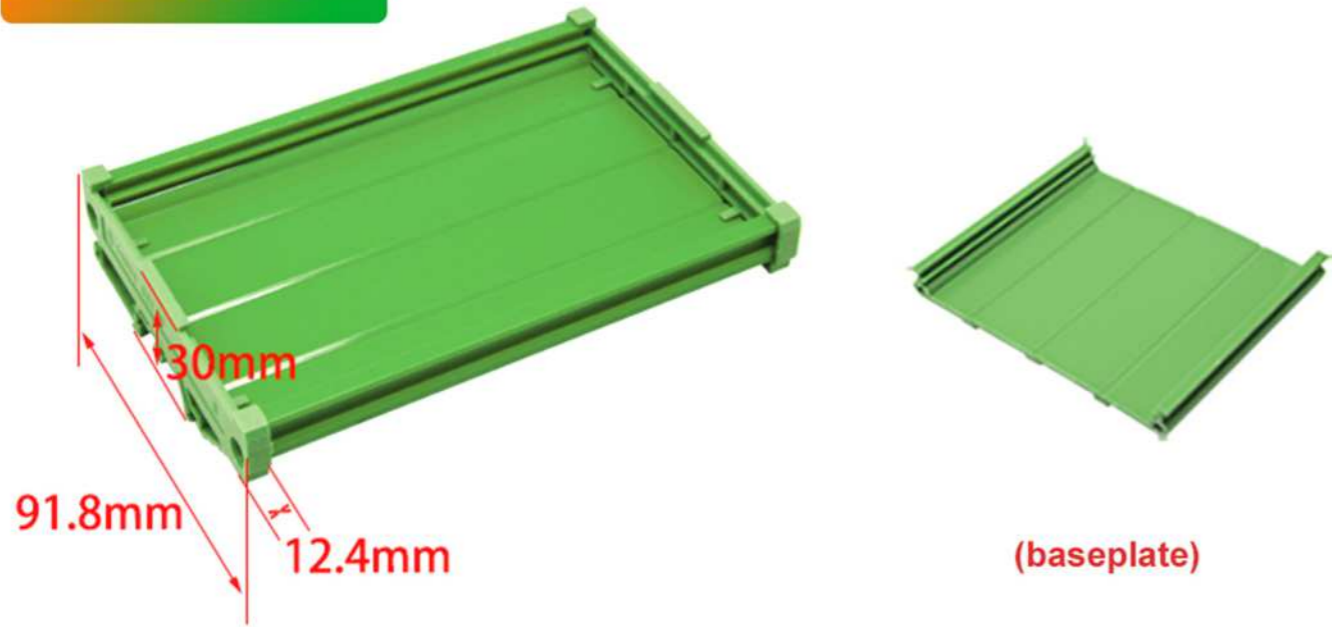


plate size(Unit:mm)

90mm

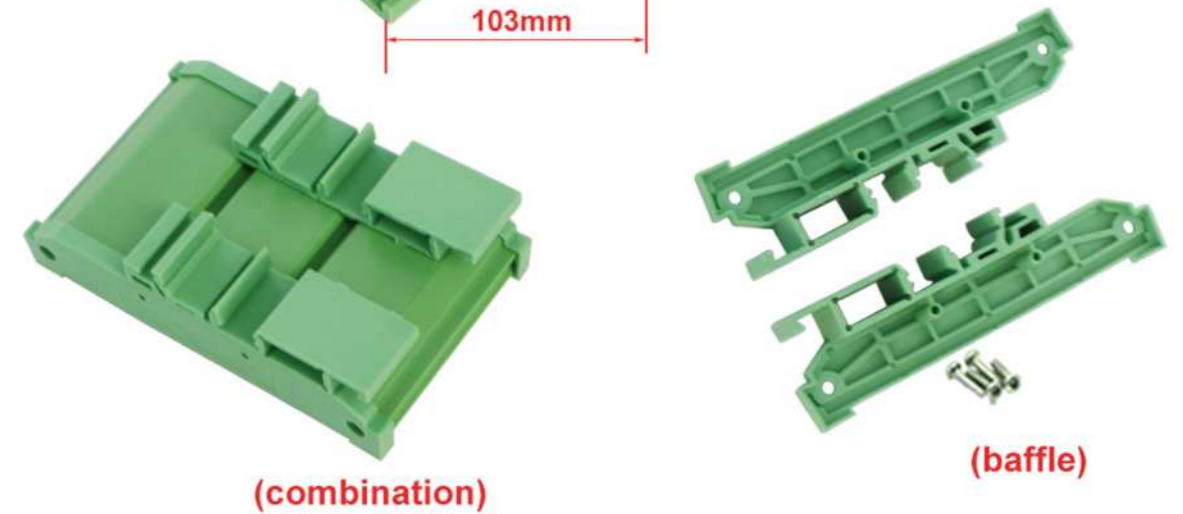
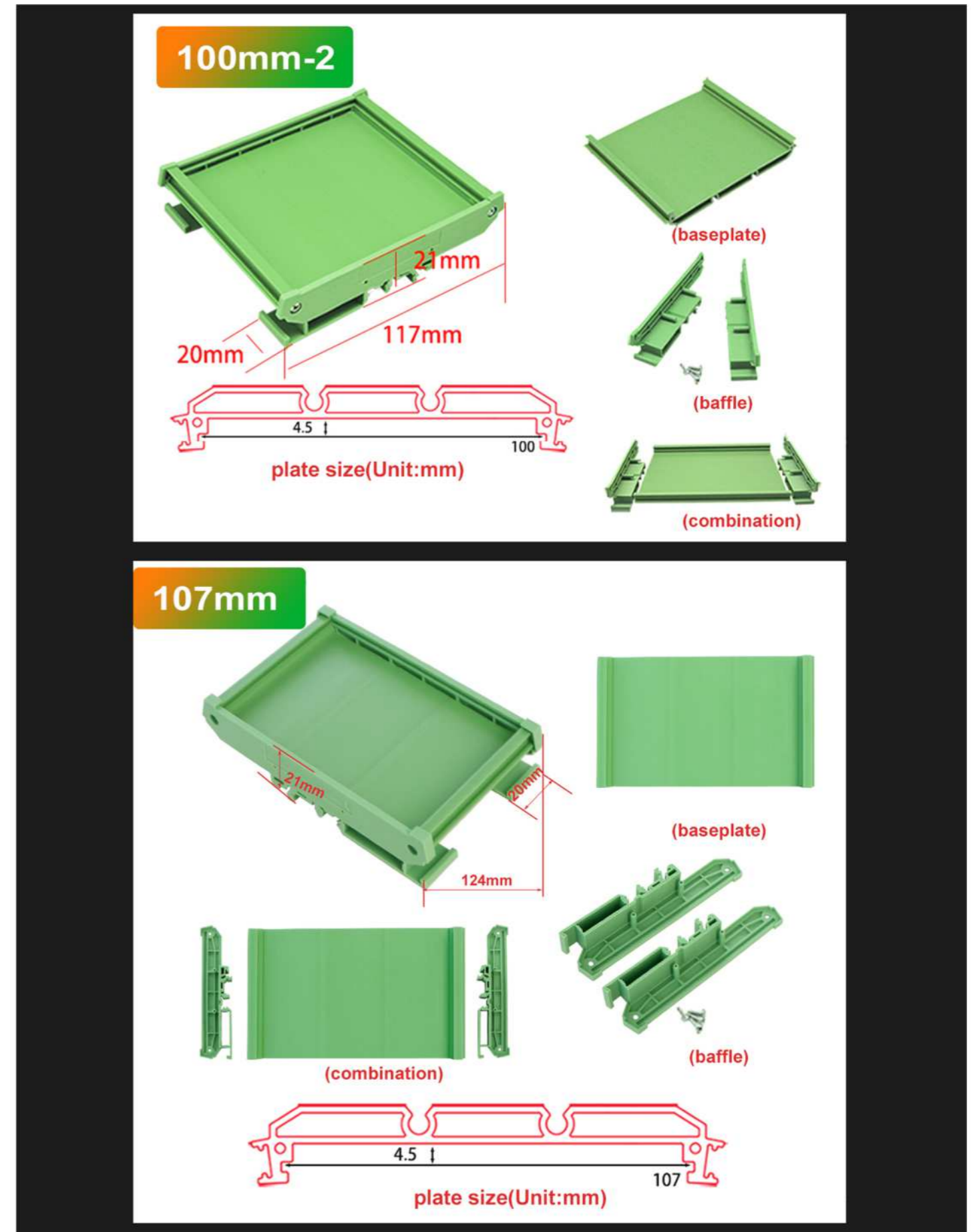
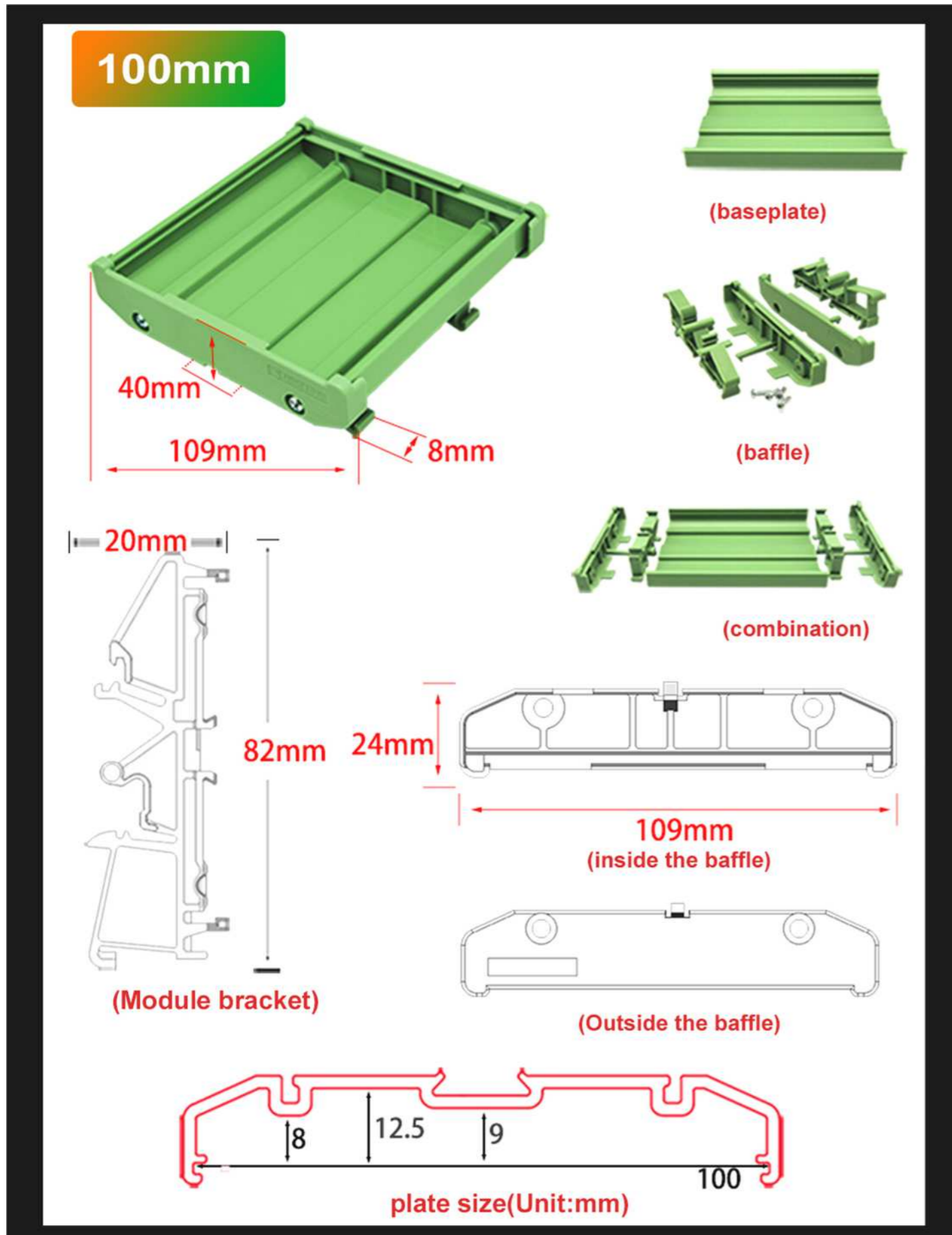
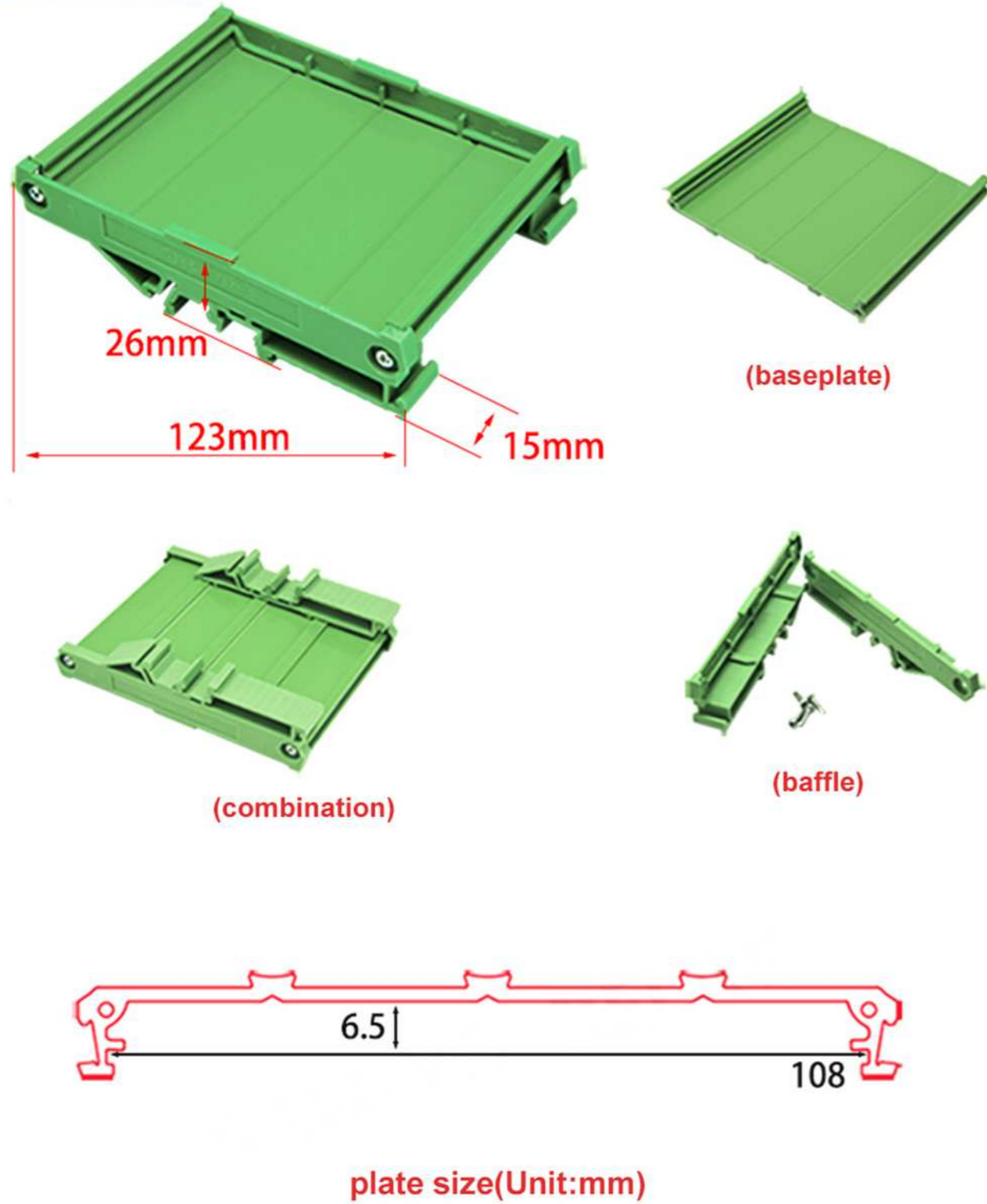


plate size(Unit:mm)



108mm



122mm

