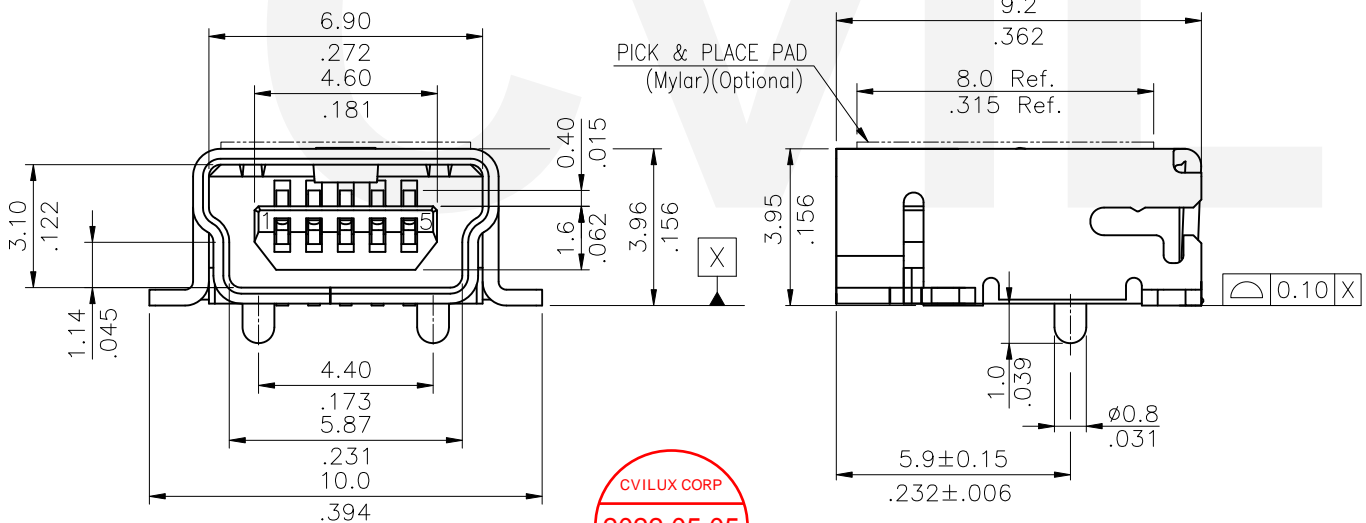


Recommended P.C. Board Layout



Materials :

- * Insulation: High temperature plastic UL 94V-0
- * Contacts: Copper Alloy
- * Shell: Copper Alloy
- * Shell Plating:
120µ" Matte Tin plated over 30µ" Nickel
- * Pick & Place Pad :
Glass filled polyamide UL 94V-0
- * Solder tail with Matte Tin Finish

Ordering Code:

CU04 S * M 1 5 B 0 -*0 -NH
 ① ② ③ ④ ⑤ ⑥ ⑦ ⑧ ⑨ ⑩

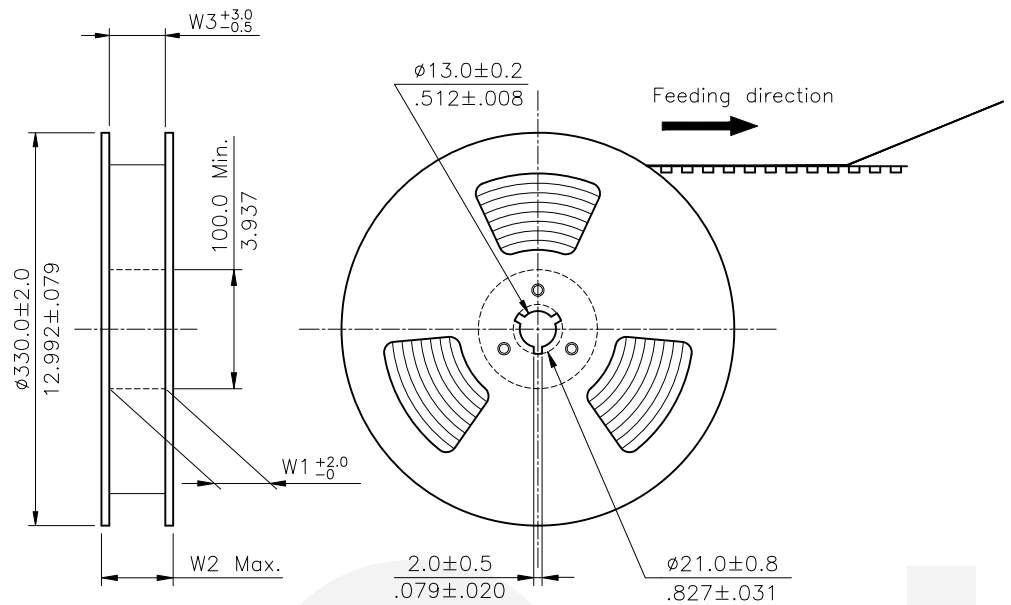
- ① Series No.
- ② S= Socket
- ③ Plating option:
A= Selective Gold flash plated over 1.27µm(50µ") Nickel
C= Selective 0.76µm(30µ") Gold plated over 1.27µm(50µ") Nickel
- ④ Tail style: M= SMT Type
- ⑤ Insulator Color: 1= Black
- ⑥ No of Circuits: 5= 5 Pin
- ⑦ Type: B= Mini USB 5 Pin Type-B (Black)
- ⑧ Option: 0= Standard
- ⑨ Packing Option:
-R0= Tape & Reel Packing (With Pick & Place Pad)
-T0= Tube Packing
- ⑩ Other option:
NH= For Lead Free IR Reflow Processes and Halogen-Free

Halogen-Free

Lead Free Process

RoHS Compliant

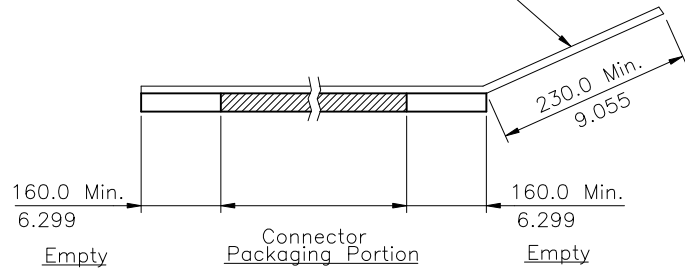
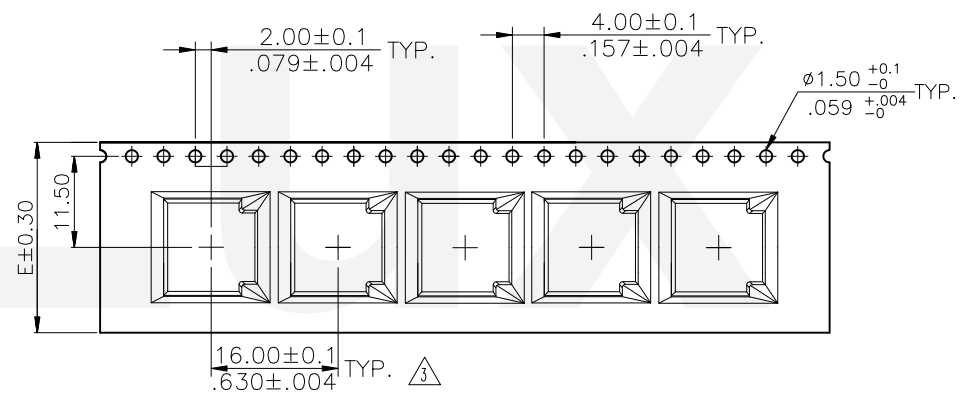
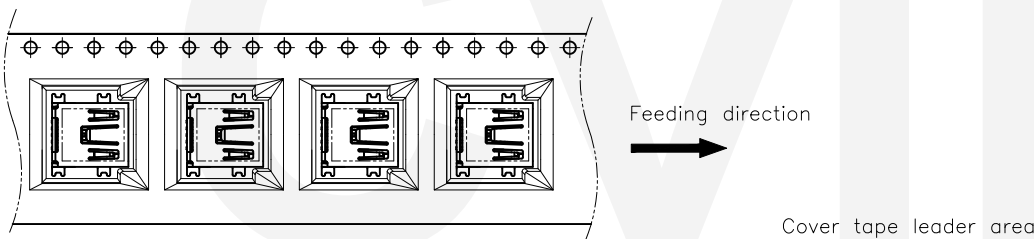
④					DATE	UNIT: mm / inch	TITLE: MINI USB 5 PIN SMT BOARD MOUNT CONNECTOR	 瀚荃股份有限公司 CviLux Corporation
③	Sun	4/06-22'	ECNT122047/ECRD122008,009,010	DRAWN BY:	Sun	4/29-22'	MATERIAL:	
②	Enya	2/19-14'	ECNT114026	ENGINEER:	Sun	4/29-22'	FINISH:	DRAWING NO. CU0431SD PART NO. CU04S*M15B0-*0-NH
①	Enya	7/11-12'	ECR12056-1/ECN12142-0	CHECKED BY:	Eisley	5/4-22'		SCALE 5 / 1 SHEET 1 OF 2
SYM	NAME	DATE	REVISIONS	APPROVED BY:	Eisley	5/4-22'		



NOTE :

- * Reel Material : Corrugated Paper
- * Carrier Material : Black, Conductive Polystyrene Alloy
- * Cover Tape Material : Polyester
- * Cover Tape Peel Strength : 0.1N – 1.3N
- * Carrier camber is within 1mm in 250mm
- * All dimensions meet EIA-481-B requirements.
- * Quantity : 700 PCS/Reel

Dimension				Packing (Reel/Caton)
E	W1	W2	W3	
24.0(.945)	24.5(.965)	30.5(1.201)	24.5(.965)	9



WIDTH : 24 mm Carrier.

RoHS Compliant

4																			
3	Sun	4/06-22'	ECNT122047/ECRD122008,009,010		Sun	4/29-22'													
2	Enya	2/19-14'	ECNT114026		Sun	4/29-22'													
1	Enya	7/11-12'	ECR12056-1/ECN12142-0		Eisley	5/4-22'													
SYM	NAME	DATE	REVISIONS	APPROVED BY:	Eisley	5/4-22'													

CVILUX CORP
2022.05.05
DRAWN BY:
ISSUED

TITLE: MINI USB 5 PIN SMT BOARD MOUNT CONNECTOR
MATERIAL:
FINISH:

瀚荃股份有限公司
CviLux Corporation

DRAWING NO.	CU0431SD	PART NO.	CU04S*M15B0-*0-NH
SCALE	4 / 1	SHEET	2 OF 2