

Material:

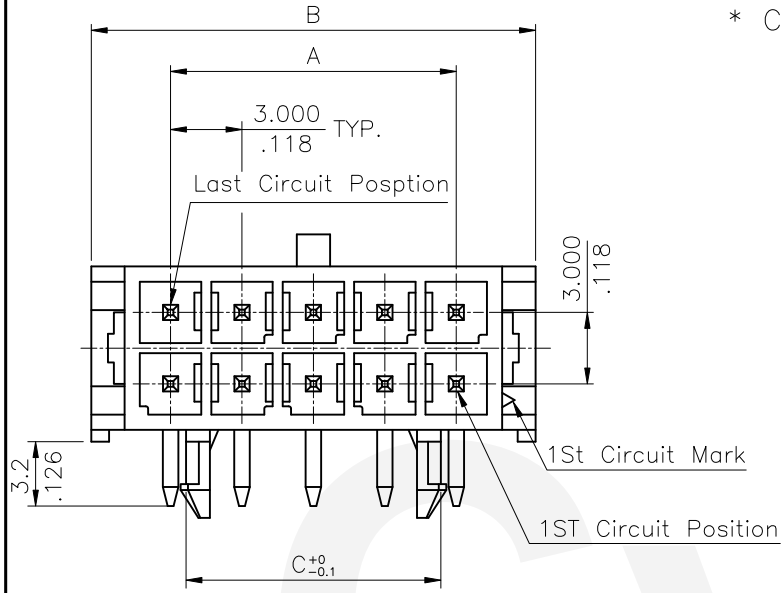
△\* Insulation: High Temperature Plastic  
Color Black △

\* Contact: Brass

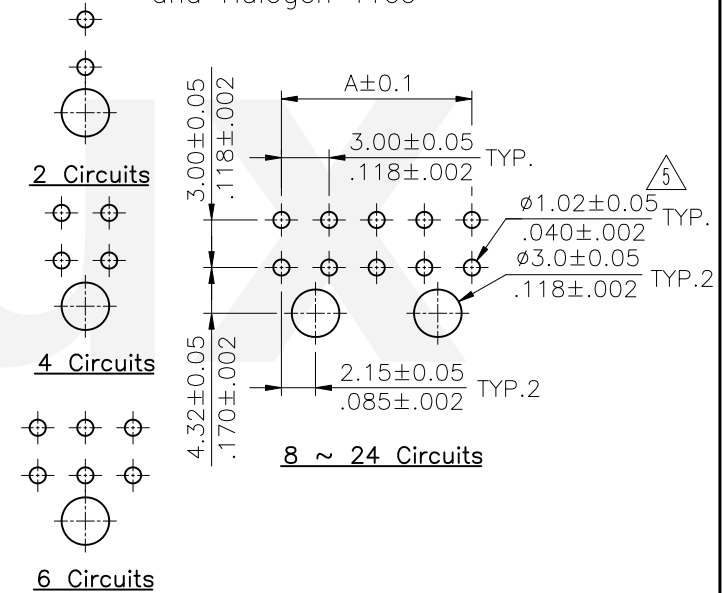
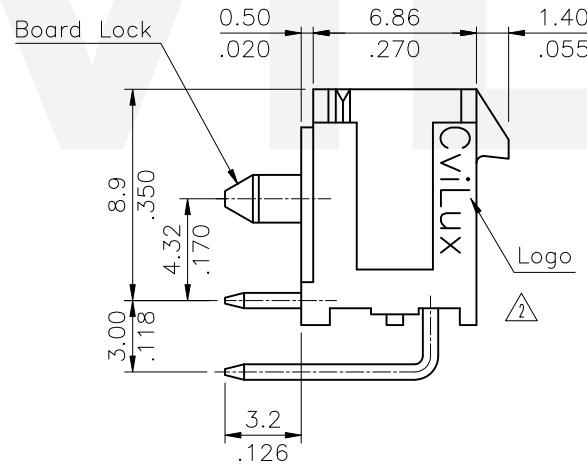
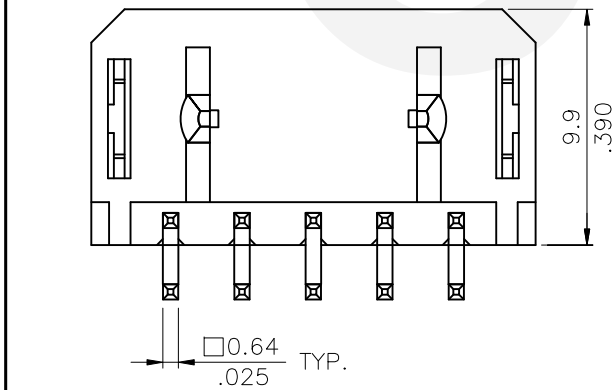
Ordering Code:

CP35 \*\* P 1 H 0 0 -NH  
① ② ③ ④ ⑤ ⑥ ⑦ ⑧

- ① Series No.
- ② No. of Circuits: 02~24
- ③ Contact type: P = Plug
- ④ Contact plated:
- △ 1= Matte Tin over Nickel  
2= Gold flash plated over 50u" Nickel
- ⑤ H= Right angle
- ⑥ Mount type : 0= Dip Type
- ⑦ Other options: 0= With plastic board lock (Standard)
- ⑧ -NH= For Lead Free IR Processes and Halogen-Free




Circuits	Dimension		
	A	B	C △
2	—	6.7(.264)	3.0(.118)
4	3.00(.118)	9.7(.382)	3.0(.118)
6	6.00(.236)	12.7(.500)	3.0(.118)
8	9.00(.354)	15.7(.618)	7.7(.303)
10	12.00(.472)	18.7(.657)	10.7(.421)
12	15.00(.591)	21.7(.854)	13.7(.539)
14	18.00(.709)	24.7(.972)	16.7(.657)
16	21.00(.827)	27.7(1.091)	19.7(.776)
18	24.00(.945)	30.7(1.209)	22.7(.894)
20	27.00(1.063)	33.7(1.327)	25.7(1.012)
22	30.00(1.181)	36.7(1.445)	28.7(1.130)
24	33.00(1.299)	39.7(1.563)	31.7(1.248)



Recommended P.C. Board layout

Halogen-Free    Lead Free Process    RoHS compliant

△5	Kenny	8/20-20'	ECNT120218	<b>CVILUX</b> <b>2020.08.27</b> <b>ISSUED</b>	DATE	UNIT: mm / inch	TITLE: 3.00mm PITCH RIGHT ANGLE HEADER POWER CONNECTOR	 瀚荃股份有限公司 CviLux Corporation			
△4	Michelle	11/12-19'	ECRB11905/ECNT119313		DRAWN BY: Kenny	8/20-20'	TOLERANCE UNLESS OTHERWISE SPECIFIED		MATERIAL:		
△3	Sun	8/14-14'	ECRT114036/ECNT114170		ENGINEER: Sun	8/25-20'	.X ± 0.30/012    .X' ± 1'			FINISH:	
△2	Sandy	2/3-12'	ECN12010		CHECKED BY: Easley	8/25-20'	.XX ± 0.20/008    .X' ±				
SYM	NAME	DATE	REVISIONS		APPROVED BY: Easley	8/25-20'	.XXX ± 0.10/004    .XX' ±			DRAWING NO. CP3549SG	PART NO. CP35**P*H00-NH
								SCALE	3 / 1	SHEET	1 OF 1