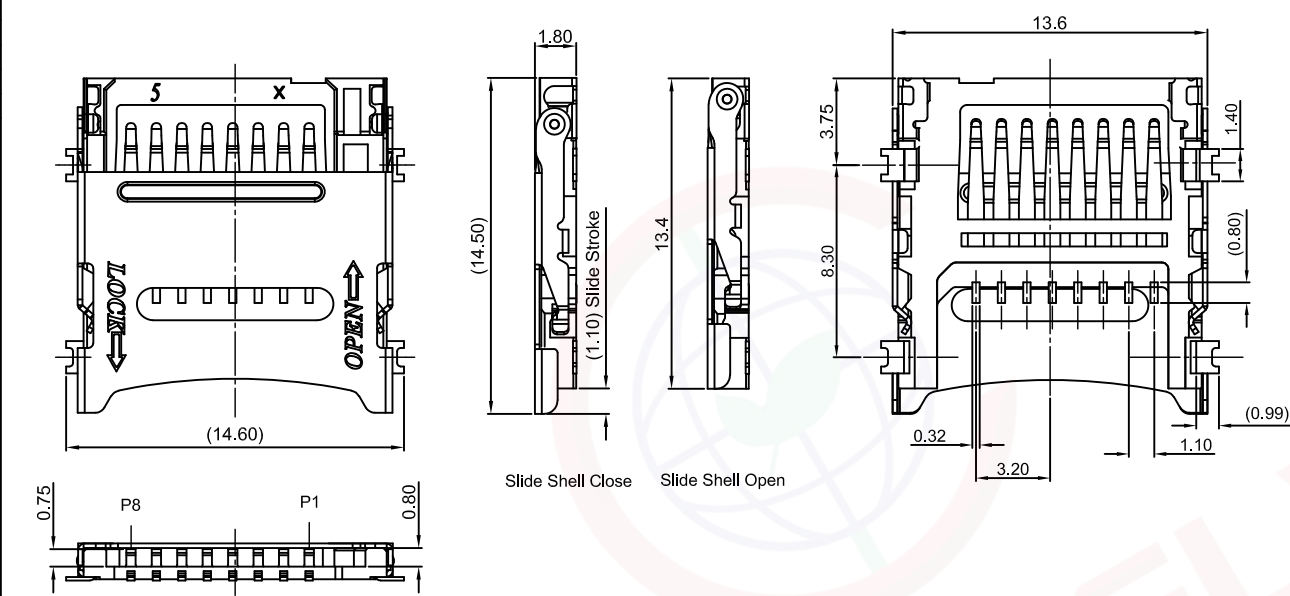


The information provided herein is from CONNELY Electronic Co., Ltd. and is confidential. Any disclosure to a party other than the recipient is prohibited. The intellectual properties and its rights contained herein, including but not limited to, trademarks, patents, copyrights, trade secrets, and technical know-how, are owned exclusively by CONNELY or its affiliates. Unauthorized use of this information in any format or manner. CONNELY may enforce its intellectual property rights at its own discretion; failures or delays to exercise such rights does not constitute a waiver of such rights.

1 2 3 4 5 6 7 8

Dept	
Qty	
DC	1
ED	1
IE	1
ISO	1
PD	1
R&D	1
SD	1
QA	1
QC	1
QF	1

REV.	DESCRIPTION	DRAWN	CHECKED	APPROVED
A	NEW RELEASE	JLZ 10/10/14'		LJC 10/10/14'
B	DRAWING UPDATE	JLZ 05/03/17'	HZW 05/03/17'	LJC 05/03/17'
C	DRAWING UPDATE	JLZ 11/09/18'	HZW 11/09/18'	LJC 11/09/18'
D	DRAWING UPDATE	JLZ 09/24/19'		



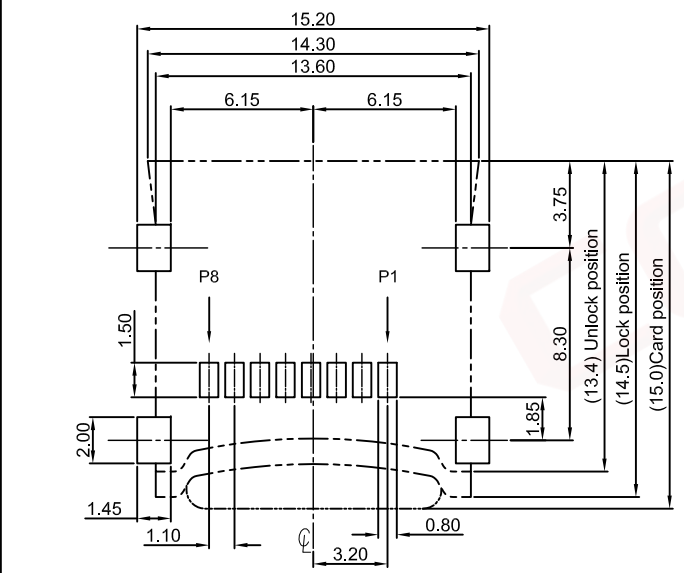
Notes:

- Material:
 - Housing: High Temperature, UL94V-0
 - Contacts: Copper Alloy.
 - Stator: Copper Alloy.
 - Shell: Stainless Steel.
- Specifications:
 - Operate Temperature: -20° C~+85° C
 - Insulation Resistance: 100MQ Min.
 - Contact Resistance: 100mΩ max.
 - Withstanding Voltage: 100V AC 1min.
 - Operating Voltage: 30V AC/DC.
 - Current Rating: 0.5A
- Product Number Code:

DS1139-06 - XX X X X X X X

- Packing Type
R: Tape On Reel
- Shell Plating
S: Stainless
- Housing color
B: Black
- Contact Plating
0: Selective gold flash
4: Selective 3u" gold
J: Selective 5u" gold
1: Selective 10u" gold
- Mounting type
S: SMT type
- Connector type
S: Socket
- No. of contacts
08:08pin

PIN 8	DAT1
PIN 7	DAT0
PIN 6	VSS
PIN 5	GLK
PIN 4	VDD
PIN 3	CMD
PIN 2	CD/DAT3
PIN 1	DAT2
PIN NO.	PIN ASSIGNMENT



RECOMMENDED PCB LAYOUT
TOLERANCES:±0.05

GENERAL TOLERANCE		ANGLE TOLERANCE		PROJECTION		TITLE	Micro SD Card H=1.8mm SMT Type
X.	±0.60	X.	±5°	UNITS	mm	SHEET SIZE	A4
.X	±0.38	.X	±3°	SHEET SIZE	A4	SERIES	DS1139-06 SERIES
.XX	±0.25	.XX	±2°				
DRAWING TYPE		CUSTOMER		晨翔电子有限公司 CONNELY CONNELY ELECTRONIC CO. LTD			
SCALE		1:1 SHEET 1 OF 1					
DRAWING NO.		C-DS1139-06-XXXXXXX-D					

1 2 3 4 5 6 7 8