

FEATURES

1. AC input 180~264VAC
2. Withstand 300VAC surge input for 5 second
3. Protections:Short circuit /Overload /Over voltage/Over temperature
4. Built-in cooling Fan ON-OFF control
5. 1U low profile 40.5mm
6. Forced air cooling by built-in DC fan
7. 100% full load burn-in test
8. LED indicator for power on
9. High reliability
10. 3 years warranty



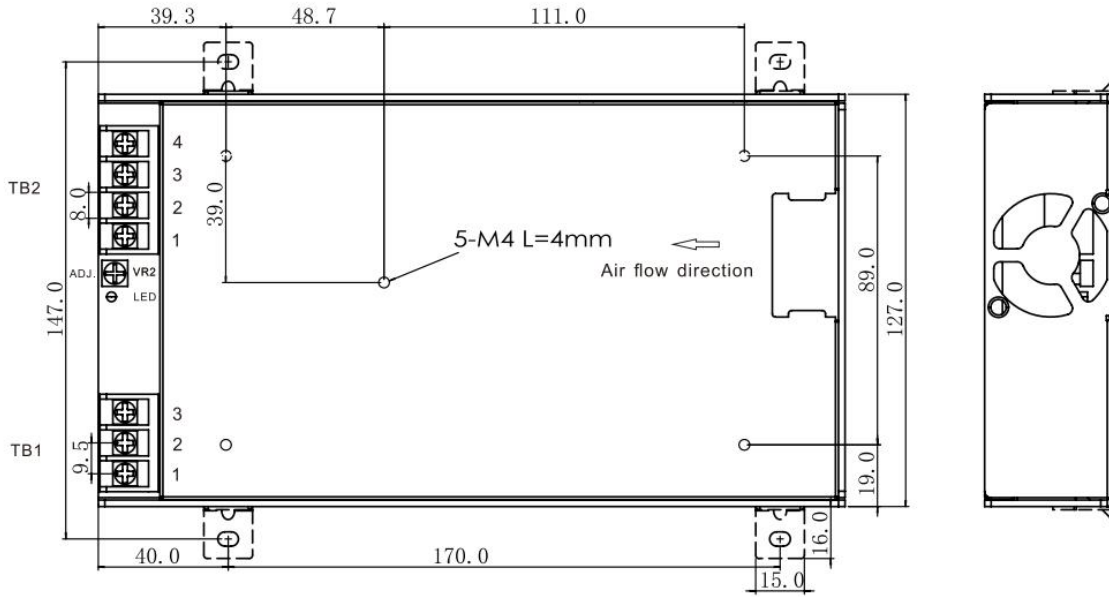
**3 years
Warranty**

Specification

MODEL		RAM600-24	RAM600-27	RAM600-36	RAM600-48
INPUT	VOLTAGE RANGE	180~264VAC 240~370Vdc(refer to 'static characteristic')			
	FREQUENCY RANGE	47~63Hz			
	EFFICIENCY(Typ.)	88%	88%	88%	89%
	AC CURRENT(Typ.)	6.5A/230VAC			
	INRUSH CURRENT(Typ.)	40A/230VAC (cold start)			
	LEAKAGE CURRENT	<2mA/240VAC			
OUTPUT	DC VOLTAGE	24V	27V	36V	48V
	RATED CURRENT	25A	22.22A	16.66A	12.5A
	CURRENT RANGE	0~25A	0~22.22A	0~16.66A	0~12.5A
	RATED POWER	600W	600W	600W	600W
	RIPPLE&NOISE(max.)	200mVp-p	200mVp-p	200mVp-p	200mVp-p
	VOLTAGE ADJ.RANGE	22.8~26.4V	24~30V	34.2~39.6V	45.6~52.8V
	VOLTAGE TOLERANCE	±1%	±1%	±1%	±1%
	LINER EGULATION	±0.5%	±0.5%	±0.5%	±0.5%
	LOAD REGULATION	±1%	±1%	±1%	±0.5%
	SETUP,RISE TIME	3000ms,50ms/230VAC			
	HOLD UP TIME(Typ.)	10ms/230VAC			
PROTECTION	OVER LOAD	105%~140%rated output power Protection type:constant current,recovers automatically after fault condition is removed			
	OVER VOLTAGE	27.6~35V	30.6~38V	45~53V	56.6~66.2V
	OVER TEMPERATURE	Protection type:Hiccup mode,recovers automatically after fault condition is removed			
FUNCTION	FAN ON/OFF	RTH2≥50°C FAN ON,≤40°C FAN OFF			
ENVIRONMENT	WORKING TEMP,HUMIDITY	-20~+70°C(Refer to"Derating curve"),20~90%RH non-condensing			
	STORAGE TEMP.,HUMIDITY	-40~+85°C,10~95%RH			
	TEMP.COEFFICIENT	±0.03%/°C(0~50°C)			
	VIBRATION	10~500Hz,2G 10min./1 cycle,each along X、Y、Z axes			
Safety and electromagnetic compatibility	Safety standards	Refer to UL62368-1,TUV EN62368-1,CCC GB4943.1			
	Withstand voltage and isolation resistance	I/P-O/P:3KVac;100MΩ/500Vdc /25°C/70%RH			

		I/P-FG:2KVac;100MΩ/500Vdc /25°C/70%RH		
		O/P-FG:0.5KVac;100MΩ/500Vdc /25°C/70%RH		
	Electromagnetic	Parameter	Standard	Test Level /Note
		Conducted emission	BS EN/EN55032(CISPR32),FCC PART 15/CISPR22,GB9254.1	Class A
		Radiated emission	BS EN/EN55032(CISPR32),FCC PART 15/CISPR22,GB9254.1	Class A
		Harmonic current	BS EN/EN61000-3-2,GB17625.1	Dos not meet
		Voltage flicker	BS EN/EN61000-3-3	-
	Electromagnetic compatibility immunity	BS EN/EN55035		
		Parameter	Standard	Test Level /Note
		ESD	BS EN/EN61000-4-2	Level 4,8KV air,Level 2,4KV contact,criteria A
		RF field susceptibility	BS EN/EN61000-4-3	Level 3,criteria A
		EFT bursts	BS EN/EN61000-4-4	Level 3,criteria A
		Surge susceptibility	BS EN/EN61000-4-5	Level 3,1KV/L-N,2KV/L/N-FG criteria A
		Conducted susceptibility	BS EN/EN61000-4-6	Level 3,criteria A
		Magnetic field immunity	BS EN/EN61000-4-8	Level 4,criteria A
		Voltage dips and interruptions	BS EN/EN61000-4-11	>95%dip 0.5 periods,30%dip 25 periods,>95%interruptions 250 periods
OTHERS	MTBF	≥200Khrs MIL-HDBK-217F(25°C)		
	DIMENSION	230*127*40.5mm(L*W*H)		
	PACKING	1.3Kg;9pcs/12.7Kg/0.66CUFT		
NOTE	<p>1.All parameters NOT specially mentioned are measured at 230VAC input, rated load and 25°C of ambient temperature</p> <p>2.Ripple & noise are measured at 20MHz of bandwidth by using a 12"twisted pair-wire terminated with a 0.1uF & 47uF parallel capacitor</p> <p>3.Tolerance:includes set up tolerance,line regulation and load regulation.</p> <p>4.Line regulation is measured from low line to high line at rated load.</p> <p>5.Load regulation is measured from 0% to 100% rated load</p> <p>6.Length of set up time is measured at cold first start,Turning ON/OFF the power supply very quickly may lead to increase of the set up time.</p> <p>7.The ambient temperature derating of 5°C/1000m is needed for operating altitude great than 2000m(6500ft)</p> <p>8.The power supply is considered a component which will be installed into a final equipment. All the EMC tests are been executed by mounting the unit on a 360mm*360mm metal plate with 1mm of thickness.The final equipment must be re-confirmed that it still meets EMC directives</p>			

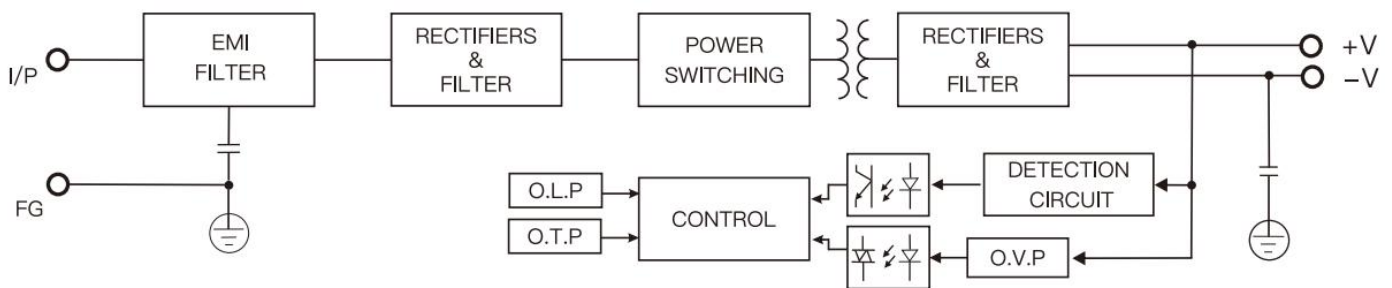
Mechanical specification



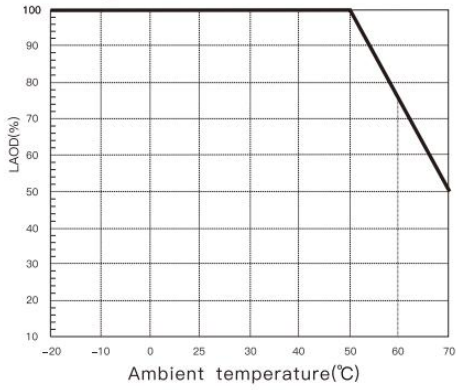
	Pin No.	Assignment
TB1	1	AC/L
	2	AC/N
	3	FG
TB2	1~2	DC output -V
	3~4	DC output +V
VR2	Output voltage adjust	

NOTE:
 Unit: mm
 ADJ: Output adjustable resistor
 Torque: M3.5, 0.8N · m Max
 TOL: ±1.00

Block diagram



Derating curve



Static characteristics

