



Product Specification

M185XTN01.2

AU OPTRONICS CORPORATION

(V) Preliminary Specification

() Final Specification

Module	18.5" Color TFT-LCD
Model Name	M185XTN01.2

Customer	Date
_____	_____
Approved by	
_____	_____
Note: This Specification is subject to change without notice.	

Approved by	Date
<i>Howard Lee</i>	_____
Prepared by	
<i>Glenn Chan</i>	<u>2012/5/9</u>
Video Solutions Business Group / AU Optronics corporation	

Contents

1.0 Handling Precautions	5
2.0 General Description	6
2.1 Display Characteristics	6
2.2 Optical Characteristics.....	7
3.0 Functional Block Diagram	11
4.0 Absolute Maximum Ratings.....	12
4.1 TFT LCD Module	12
4.2 Backlight Unit.....	12
4.3 Absolute Ratings of Environment.....	12
5.0 Electrical characteristics.....	14
5.1 TFT LCD Module	14
5.1.1 Power Specification	14
5.1.2 Signal Electrical Characteristics	15
5.2 Backlight Unit.....	17
6.0 Signal Characteristic.....	18
6.1 Pixel Format Image	18
6.2 The input data format.....	18
6.3 Signal Description.....	19
6.4 Timing Characteristics	21
6.5 Timing diagram	22
6.6 Power ON/OFF Sequence	23
7.0 Connector & Pin Assignment	24
7.1 TFT LCD Module	24
7.1.1 Pin Assignment	24
7.2 LED Connector on Backlight Unit.....	25
7.2.1 LED Pin assignment	25
7.2.2 LED Connector dimension	26
7.2.3 LED Mating housing dimension	26
8.0 Reliability Test.....	27
9.0 Shipping Label	28
10.0 Mechanical Characteristics	29
11. Packing Specification.....	31

Record of Revision

Version and Date	Page	Old description	New Description	Remark																																																
0.1 2012/05/09		Preliminary Version																																																		
0.2 2012/6/18	29	Update label positions. 																																																		
	11	Logic/LCD Drive Voltage VDD: +5.5V	Logic/LCD Drive Voltage VDD: +6.0V																																																	
	13	5.1.1 Power specification Irush Max. :2A	5.1.1 Power specification Irush Max. : TBD																																																	
0.3 2012/7/4	24																																																			
	6	"Energy Star 6.0 Compliance" : Yes	Remove "Energy Star 6.0 Compliance" because it'll be tested not with panel only but completed set.																																																	
0.3 2012/7/9	6	Color / Chromaticity Coordinates (CIE) <table border="1"> <tr><td>Red x^o</td><td>TBD^o</td><td>TBD^o</td><td>TBD^o</td></tr> <tr><td>Red y^o</td><td>TBD^o</td><td>TBD^o</td><td>TBD^o</td></tr> <tr><td>Green x^o</td><td>TBD^o</td><td>TBD^o</td><td>TBD^o</td></tr> <tr><td>Green y^o</td><td>TBD^o</td><td>TBD^o</td><td>TBD^o</td></tr> <tr><td>Blue x^o</td><td>TBD^o</td><td>TBD^o</td><td>TBD^o</td></tr> <tr><td>Blue y^o</td><td>TBD^o</td><td>TBD^o</td><td>TBD^o</td></tr> </table>	Red x ^o	TBD ^o	TBD ^o	TBD ^o	Red y ^o	TBD ^o	TBD ^o	TBD ^o	Green x ^o	TBD ^o	TBD ^o	TBD ^o	Green y ^o	TBD ^o	TBD ^o	TBD ^o	Blue x ^o	TBD ^o	TBD ^o	TBD ^o	Blue y ^o	TBD ^o	TBD ^o	TBD ^o	Color / Chromaticity Coordinates (CIE) <table border="1"> <tr><td>Red x^o</td><td>0.616^o</td><td>0.646^o</td><td>0.676^o</td></tr> <tr><td>Red y^o</td><td>0.303^o</td><td>0.333^o</td><td>0.363^o</td></tr> <tr><td>Green x^o</td><td>0.267^o</td><td>0.317^o</td><td>0.347^o</td></tr> <tr><td>Green y^o</td><td>0.596^o</td><td>0.626^o</td><td>0.656^o</td></tr> <tr><td>Blue x^o</td><td>0.124^o</td><td>0.154^o</td><td>0.184^o</td></tr> <tr><td>Blue y^o</td><td>0.031^o</td><td>0.061^o</td><td>0.091^o</td></tr> </table>	Red x ^o	0.616 ^o	0.646 ^o	0.676 ^o	Red y ^o	0.303 ^o	0.333 ^o	0.363 ^o	Green x ^o	0.267 ^o	0.317 ^o	0.347 ^o	Green y ^o	0.596 ^o	0.626 ^o	0.656 ^o	Blue x ^o	0.124 ^o	0.154 ^o	0.184 ^o	Blue y ^o	0.031 ^o	0.061 ^o	0.091 ^o	
	Red x ^o	TBD ^o	TBD ^o	TBD ^o																																																
Red y ^o	TBD ^o	TBD ^o	TBD ^o																																																	
Green x ^o	TBD ^o	TBD ^o	TBD ^o																																																	
Green y ^o	TBD ^o	TBD ^o	TBD ^o																																																	
Blue x ^o	TBD ^o	TBD ^o	TBD ^o																																																	
Blue y ^o	TBD ^o	TBD ^o	TBD ^o																																																	
Red x ^o	0.616 ^o	0.646 ^o	0.676 ^o																																																	
Red y ^o	0.303 ^o	0.333 ^o	0.363 ^o																																																	
Green x ^o	0.267 ^o	0.317 ^o	0.347 ^o																																																	
Green y ^o	0.596 ^o	0.626 ^o	0.656 ^o																																																	
Blue x ^o	0.124 ^o	0.154 ^o	0.184 ^o																																																	
Blue y ^o	0.031 ^o	0.061 ^o	0.091 ^o																																																	
0.4 2012/8/6	12	Revise "VDD min." 4.1 TFT LCD Module ^o <table border="1"> <tr><th>Item^o</th><th>Symbol^o</th><th>Min^o</th><th>Max^o</th><th>Unit^o</th><th>Conditions^o</th></tr> <tr><td>Logic/LCD Drive Voltage^o</td><td>VDD^o</td><td>0^o</td><td>+6.0^o</td><td>[Volt]^o</td><td>Note 1,2^o</td></tr> </table>	Item ^o	Symbol ^o	Min ^o	Max ^o	Unit ^o	Conditions ^o	Logic/LCD Drive Voltage ^o	VDD ^o	0 ^o	+6.0 ^o	[Volt] ^o	Note 1,2 ^o	<table border="1"> <tr><th>Item^o</th><th>Symbol^o</th><th>Min^o</th><th>Max^o</th><th>Unit^o</th><th>Conditions^o</th></tr> <tr><td>Logic/LCD Drive Voltage^o</td><td>VDD^o</td><td>-0.3^o</td><td>+6.0^o</td><td>[Volt]^o</td><td>Note 1,2^o</td></tr> </table>	Item ^o	Symbol ^o	Min ^o	Max ^o	Unit ^o	Conditions ^o	Logic/LCD Drive Voltage ^o	VDD ^o	-0.3 ^o	+6.0 ^o	[Volt] ^o	Note 1,2 ^o																									
	Item ^o	Symbol ^o	Min ^o	Max ^o	Unit ^o	Conditions ^o																																														
Logic/LCD Drive Voltage ^o	VDD ^o	0 ^o	+6.0 ^o	[Volt] ^o	Note 1,2 ^o																																															
Item ^o	Symbol ^o	Min ^o	Max ^o	Unit ^o	Conditions ^o																																															
Logic/LCD Drive Voltage ^o	VDD ^o	-0.3 ^o	+6.0 ^o	[Volt] ^o	Note 1,2 ^o																																															
14	Revise "VDD max." *5.1.1 Power Specification ^o Input power specifications are as following ^o <table border="1"> <tr><th>Symbol^o</th><th>Parameter^o</th><th>Min^o</th><th>Typ^o</th><th>Max^o</th><th>Unit^o</th><th>Conditions^o</th></tr> <tr><td>VDD^o</td><td>Logic/LCD Drive Voltage^o</td><td>4.5^o</td><td>5.0^o</td><td>6^o</td><td>[Vdc]^o</td><td>+/-10%^o</td></tr> </table>	Symbol ^o	Parameter ^o	Min ^o	Typ ^o	Max ^o	Unit ^o	Conditions ^o	VDD ^o	Logic/LCD Drive Voltage ^o	4.5 ^o	5.0 ^o	6 ^o	[Vdc] ^o	+/-10% ^o	*5.1.1 Power Specification ^o Input power specifications are as following ^o <table border="1"> <tr><th>Symbol^o</th><th>Parameter^o</th><th>Min^o</th><th>Typ^o</th><th>Max^o</th><th>Unit^o</th><th>Conditions^o</th></tr> <tr><td>VDD^o</td><td>Logic/LCD Drive Voltage^o</td><td>4.5^o</td><td>5.0^o</td><td>5.5^o</td><td>[Vdc]^o</td><td>+/-10%^o</td></tr> </table>	Symbol ^o	Parameter ^o	Min ^o	Typ ^o	Max ^o	Unit ^o	Conditions ^o	VDD ^o	Logic/LCD Drive Voltage ^o	4.5 ^o	5.0 ^o	5.5 ^o	[Vdc] ^o	+/-10% ^o																						
Symbol ^o	Parameter ^o	Min ^o	Typ ^o	Max ^o	Unit ^o	Conditions ^o																																														
VDD ^o	Logic/LCD Drive Voltage ^o	4.5 ^o	5.0 ^o	6 ^o	[Vdc] ^o	+/-10% ^o																																														
Symbol ^o	Parameter ^o	Min ^o	Typ ^o	Max ^o	Unit ^o	Conditions ^o																																														
VDD ^o	Logic/LCD Drive Voltage ^o	4.5 ^o	5.0 ^o	5.5 ^o	[Vdc] ^o	+/-10% ^o																																														



Product Specification

M185XTN01.2

AU OPTRONICS CORPORATION

	22	Revise "Timing Diagram"		

AUO confidential for Promate

1.0 Handling Precautions

- 1) Since front polarizer is easily damaged, pay attention not to scratch it.
- 2) Be sure to turn off power supply when inserting or disconnecting from input connector.
- 3) Wipe off water drop immediately. Long contact with water may cause discoloration or spots.
- 4) When the panel surface is soiled, wipe it with absorbent cotton or other soft cloth.
- 5) Since the panel is made of glass, it may break or crack if dropped or bumped on hard surface.
- 6) Since CMOS LSI is used in this module, take care of static electricity and insure human earth when handling.
- 7) Do not open or modify the Module Assembly.
- 8) Do not press the reflector sheet at the back of the module to any directions.
- 9) In case if a Module has to be put back into the packing container slot after once it was taken out from the container, do not press the center of the LED lightbar edge. Instead, press at the far ends of the LED light bar edge softly. Otherwise the TFT Module may be damaged.
- 10) At the insertion or removal of the Signal Interface Connector, be sure not to rotate nor tilt the Interface Connector of the TFT Module.
- 11) After installation of the TFT Module into an enclosure, do not twist nor bend the TFT Module even momentary. At designing the enclosure, it should be taken into consideration that no bending/twisting forces are applied to the TFT Module from outside. Otherwise the TFT Module may be damaged.
- 12) Small amount of materials having no flammability grade is used in the LCD module. The LCD module should be supplied by power complied with requirements of Limited Power Source (IEC60950 or UL1950), or be applied exemption.
- 13) Please avoid touching COF contact while handling or fitting the TFT module into your system.
- 14) When storing modules as spares for a long time, the following precaution is necessary:
Store them in a dark place. Do not expose the module to sunlight or fluorescent light. Keep the temperature between 5°C and 35°C at normal humidity.

2.0 General Description

This specification applies to the 18.5 inch-wide Color a-Si TFT-LCD Module M185XTN01. The display supports the WXGA - 1366(H) x 768(V) screen format and 16.7M colors (RGB 6-bits + Hi-FRC data). All input signals are 1-channel LVDS interface and this module doesn't contain an inverter board for backlight.

2.1 Display Characteristics

The following items are characteristics summary on the table under 25°C condition:

ITEMS	Unit	SPECIFICATIONS
Screen Diagonal	[mm]	470.1(18.51")
Active Area	[mm]	409.8 (H) x 230.4 (V)
Pixels H x V		1366(x3) x 768
Pixel Pitch	[um]	300 (per one triad) x 300
Pixel Arrangement		R.G.B. Vertical Stripe
Display Mode		TN Mode, Normally White
White Luminance (Center)	[cd/m ²]	250 cd/m ² (Typ.)
Contrast Ratio		1000 (Typ.)
Optical Response Time	[msec]	5ms (Typ., on/off)
Nominal Input Voltage VDD	[Volt]	+5.0 V (Typ)
Power Consumption (VDD line + LED line)	[Watt]	VDD line: PDD (typ)= 1.75W, All black pattern at 60Hz LED line : PBLU (typ) = 7.2W Total : 8.95W
Weight	[Grams]	1290 (Typ)
Physical Size	[mm]	430.4 (W) x 254.6 (H) Typ. x 9.9 (D) Typ
Interface		One channel LVDS
Support Color		16.7M colors (RGB 6-bit + Hi_FRC)
Surface Treatment		Anti-Glare, 3H
Temperature Range		
Operating	[°C]	0 to +50
Storage (Shipping)	[°C]	-20 to +60
TCO6.0 Compliance		Yes

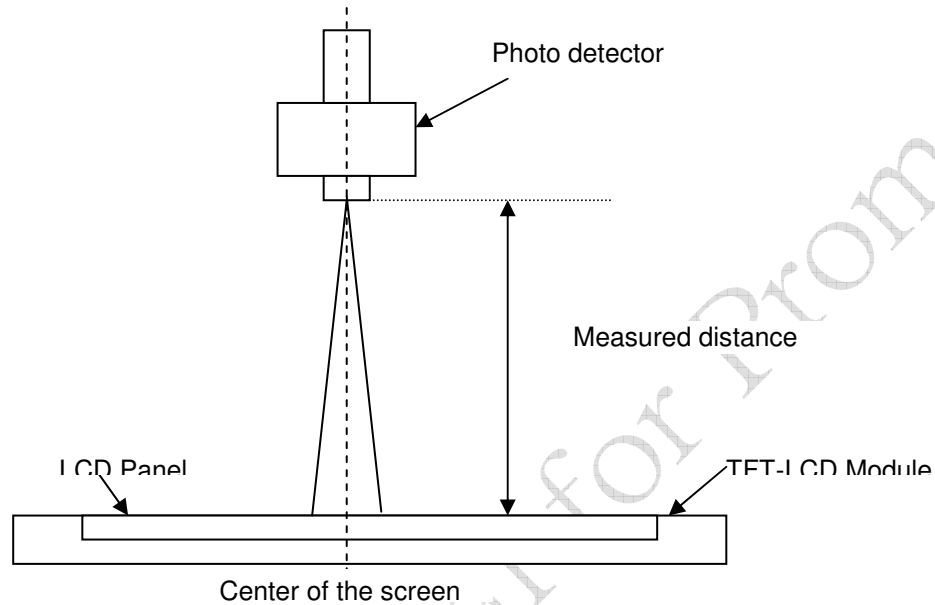
2.2 Optical Characteristics

The optical characteristics are measured under stable conditions at 25°C :

Item	Unit	Conditions	Min.	Typ.	Max.	Note
Viewing Angle	[degree]	Horizontal (Right) CR = 10 (Left)	75 75	85 85	- -	2
		Vertical (Up) CR = 10 (Down)	70 70	80 80	- -	
Contrast ratio		Normal Direction	600	1000	-	3
Response Time	[msec]	Raising Time (T_{rR})	-	3.6	-	4
		Falling Time (T_{rF})	-	1.4	-	
		Raising + Falling	-	5	-	
Color / Chromaticity Coordinates (CIE)		Red x	0.616	0.646	0.676	5
		Red y	0.303	0.333	0.363	
		Green x	0.287	0.317	0.347	
		Green y	0.595	0.625	0.655	
		Blue x	0.124	0.154	0.184	
		Blue y	0.031	0.061	0.091	
Color Coordinates (CIE) White		White x	0.283	0.313	0.343	
		White y	0.299	0.329	0.359	
Central Luminance	[cd/m ²]		200	250	-	6
Luminance Uniformity	[%]		75	80	-	7
Crosstalk (in 60Hz)	[%]				1.5	8
Flicker	dB				-20	9

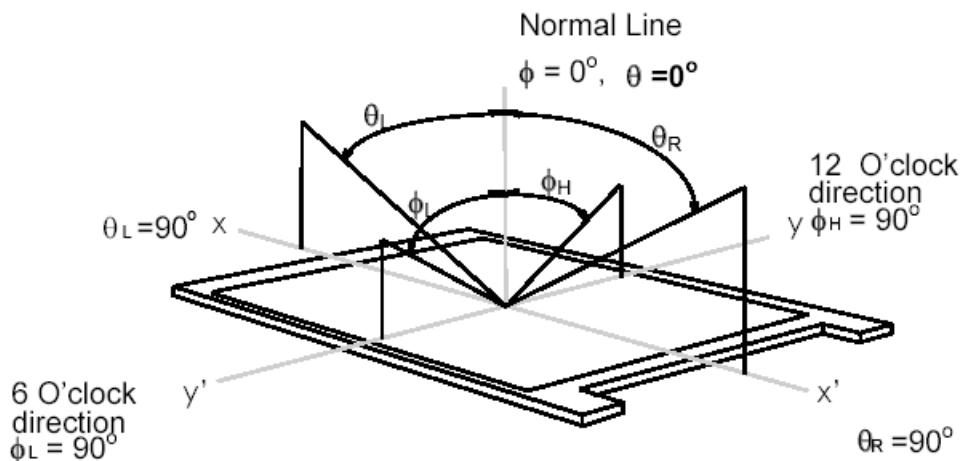
Note 1: Measurement method

The LCD module should be stabilized at given temperature for 30 minutes to avoid abrupt temperature change during measuring (at surface 35°C). In order to stabilize the luminance, the measurement should be executed after lighting Backlight for 30 minutes in a stable, windless and dark room.



Note 2: Definition of viewing angle measured by ELDIM (EZContrast 88)

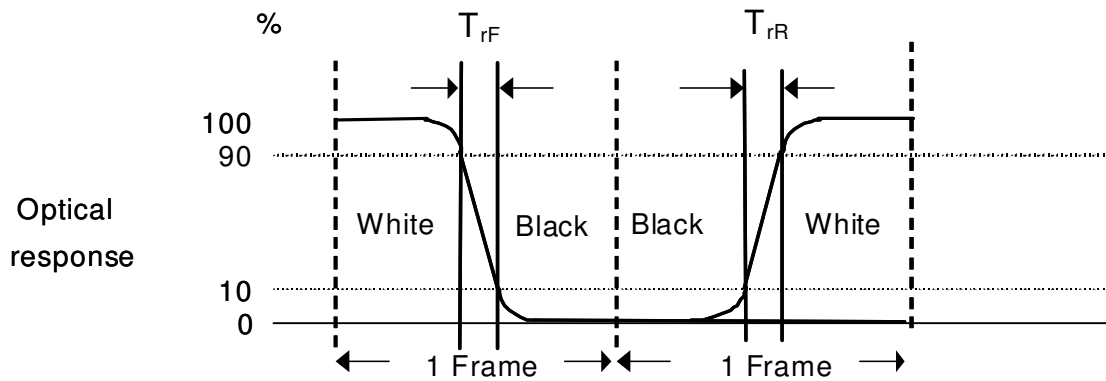
Viewing angle is the measurement of contrast ratio ≥ 10 , at the screen center, over a 180° horizontal and 180° vertical range (off-normal viewing angles). The 180° viewing angle range is broken down as follows; 90° (θ) horizontal left and right and 90° (ϕ) vertical, high (up) and low (down). The measurement direction is typically perpendicular to the display surface with the screen rotated about its center to develop the desired measurement viewing angle.



Note 3: Contrast ratio is measured by TOPCON SR-3

Note 4: Definition of Response time measured by Westar TRD-100A

The output signals of photo detector are measured when the input signals are changed from “Full Black” to “Full White” (rising time, T_{rR}), and from “Full White” to “Full Black” (falling time, T_{rF}), respectively. The response time is interval between the 10% and 90% (1 frame at 60 Hz) of amplitudes.

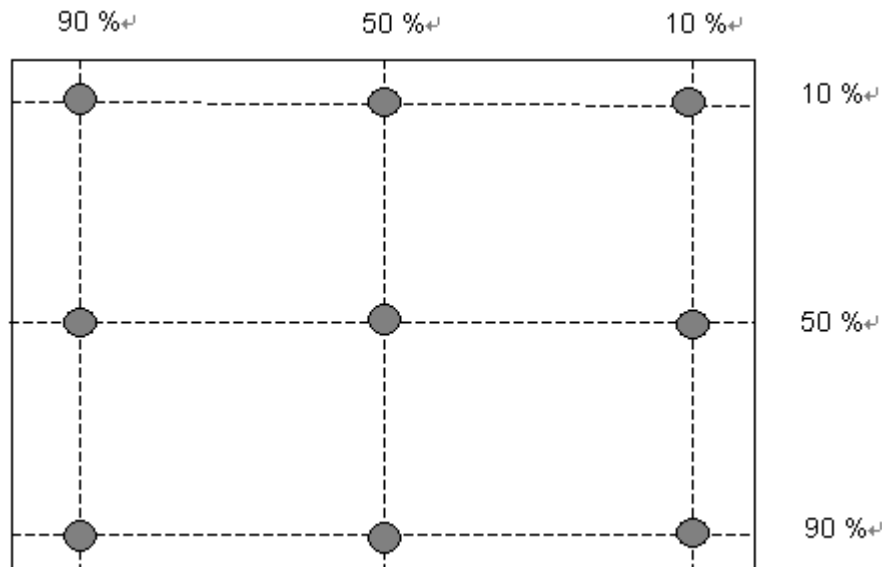


$T_{rR} + T_{rF} = 5$ msec (typ.).

Note 5: Color chromaticity and coordinates (CIE) is measured by TOPCON SR-3

Note 6: Central luminance is measured by TOPCON SR-3

Note 7: Luminance uniformity of these 9 points is defined as below and measured by TOPCON SR-3



$$\text{Uniformity} = \frac{\text{Minimum Luminance in 9 points (1-9)}}{\text{Maximum Luminance in 9 Points (1-9)}}$$

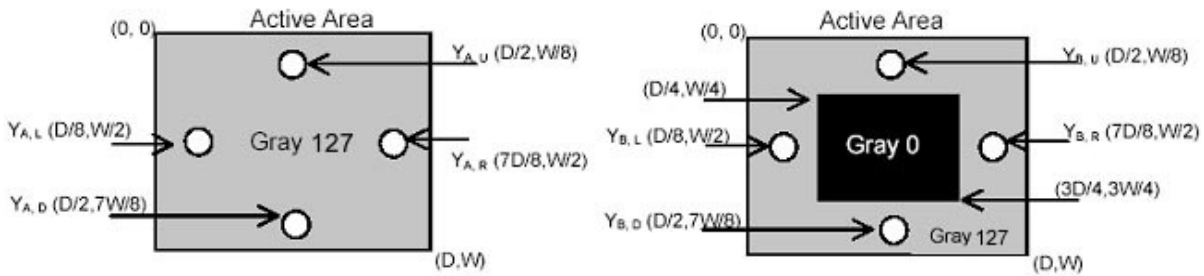
Note 8: Crosstalk is defined as below and measured by TOPCON SR-3

$$CT = | YB - YA | / YA \times 100 (\%)$$

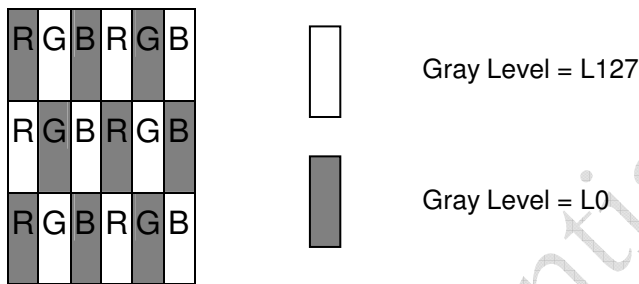
Where

YA = Luminance of measured location without gray level 0 pattern (cd/m²)

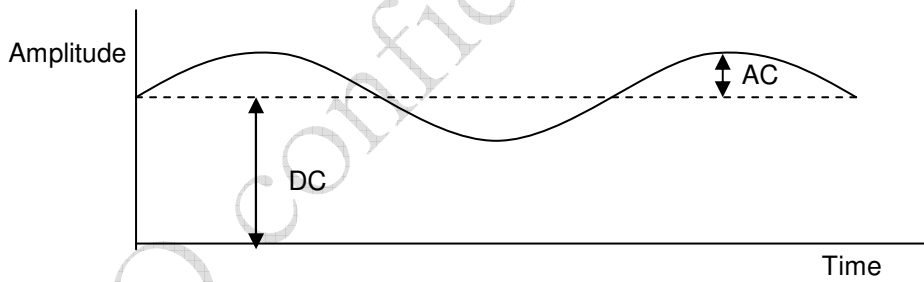
YB = Luminance of measured location with gray level 0 pattern (cd/m²)



Note 9: Test Pattern: Subchecker Pattern measured by TOPCON SR-3



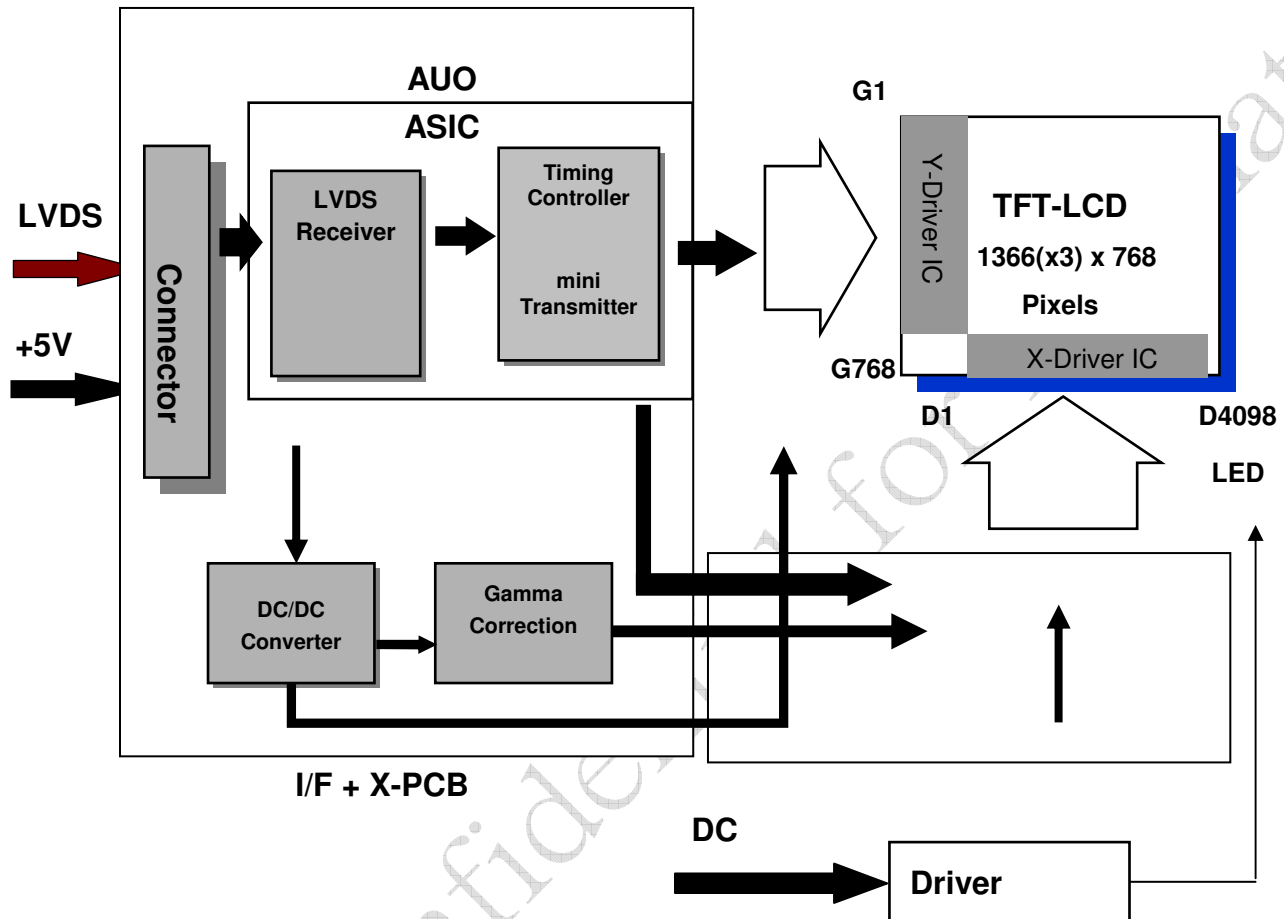
Method: Record dBV & DC value with TRD-100



$$\text{Flicker (dB)} = 20 \log \frac{\text{AC Level (at 30 Hz)}}{\text{DC Level}}$$

3.0 Functional Block Diagram

The following diagram shows the functional block of the 18.5 inch Color TFT-LCD Module:



I/F PCB Interface:

MSCKT2407P30HB (STM) / AL230F-A0G1D-P (P-TWO)

Mating Type:

FI-X30HL(JAE) (Locked Type)

FI-X30H (JAE)(Unlocked Type)

4.0 Absolute Maximum Ratings

Absolute maximum ratings of the module are as following:

4.1 TFT LCD Module

Item	Symbol	Min	Max	Unit	Conditions
Logic/LCD Drive Voltage	VDD	-0.3	+6.0	[Volt]	Note 1,2

4.2 Backlight Unit

Item	Symbol	Min	Max	Unit	Conditions
LED Forward Current	IRLED1	0	90	[mA]	Note 1,2,5 100% duty
	IRLED2				
	IRLED3				
	IRLED4				
LED Pulse Forward Current	IPLED1	-	150	[mA]	Note 1,2,5 10% duty @100Hz
	IPLED2				
	IPLED3				
	IPLED4				
LED forward Voltage variation (per string variation)	ΔV_f	-	3.4	[Volt]	Note 1,2

4.3 Absolute Ratings of Environment

Item	Symbol	Min.	Max.	Unit	Conditions
Operating Temperature	TOP	0	+50	[°C]	Note 3
Glass surface temperature (operation)	TGS	0	+65	[°C]	Note 3, Note 4
Operation Humidity	HOP	5	90	[%RH]	Note 3
Storage Temperature	TST	-20	+60	[°C]	
Storage Humidity	HST	5	90	[%RH]	

Note 1: With in Ta (25°C)

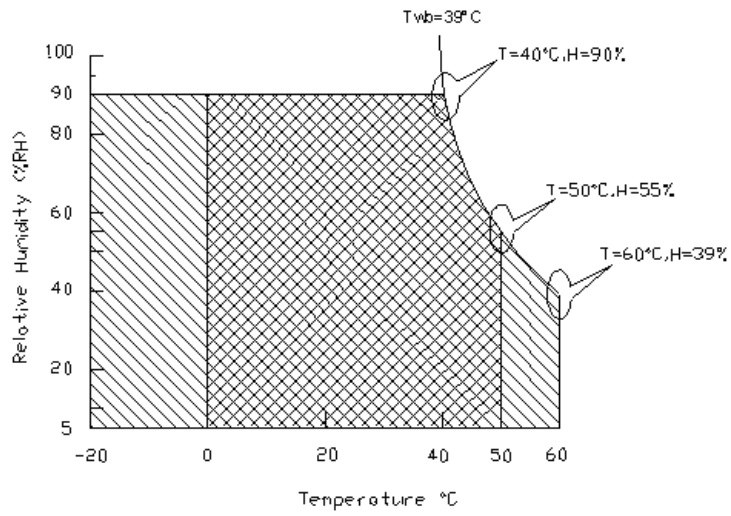
Note 2: Permanent damage to the device may occur if exceeding maximum values

Note 3: Temperature and relative humidity range are shown as the below figure.

1. 90% RH Max (Ta \leq 39°C)
2. Max wet-bulb temperature at 39°C or less. (Ta \leq 39°C)
3. No condensation

Note 4: Function Judged only

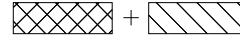
Note 5: IRLED1,2,3,4 and IPLED1,2,3,4 define as per strings LED current.



Operating Range



Storage Range



AUO confidential for Promate

5.0 Electrical characteristics

5.1 TFT LCD Module

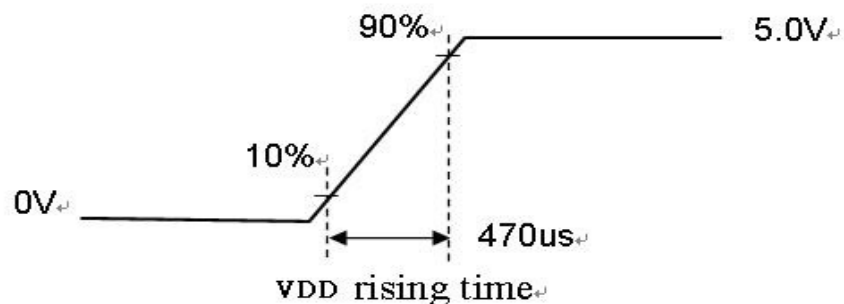
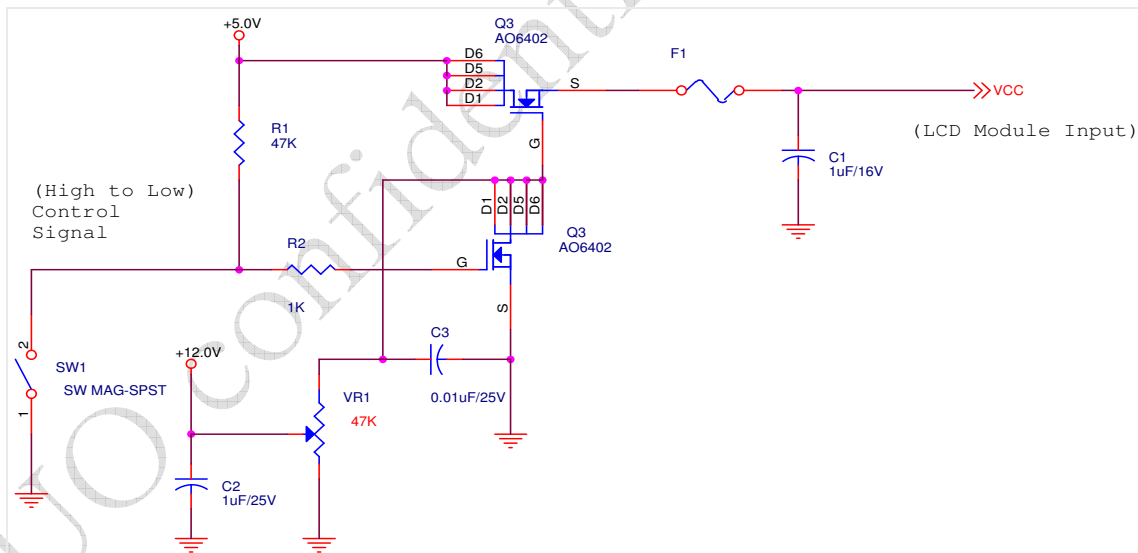
5.1.1 Power Specification

Input power specifications are as following:

Symbol	Parameter	Min	Typ	Max	Unit	Conditions
VDD	Logic/LCD Drive Voltage	4.5	5.0	5.5	[Volt]	+/-10%
IDD	Input Current	-	0.35	0.42	[A]	VDD= 5.0V, All Black Pattern At 60Hz,
		-	0.42	0.5		VDD= 5.0V, All Black Pattern At 75Hz
PDD	VDD Power	-	1.75	2.1	[Watt]	VDD= 5.0V, All Black Pattern At 60Hz
		-	2.1	2.5		VDD= 5.0V, All Black Pattern At 75Hz
IRush	Inrush Current	-	-	TBD	[A]	Note 1
VDDrp	Allowable Logic/LCD Drive Ripple Voltage	-	-	350	[mV] p-p	VDD= 5.0V, All Black Pattern At 75Hz

Note 1: Measurement conditions:

The duration of rising time of power input is 470us.



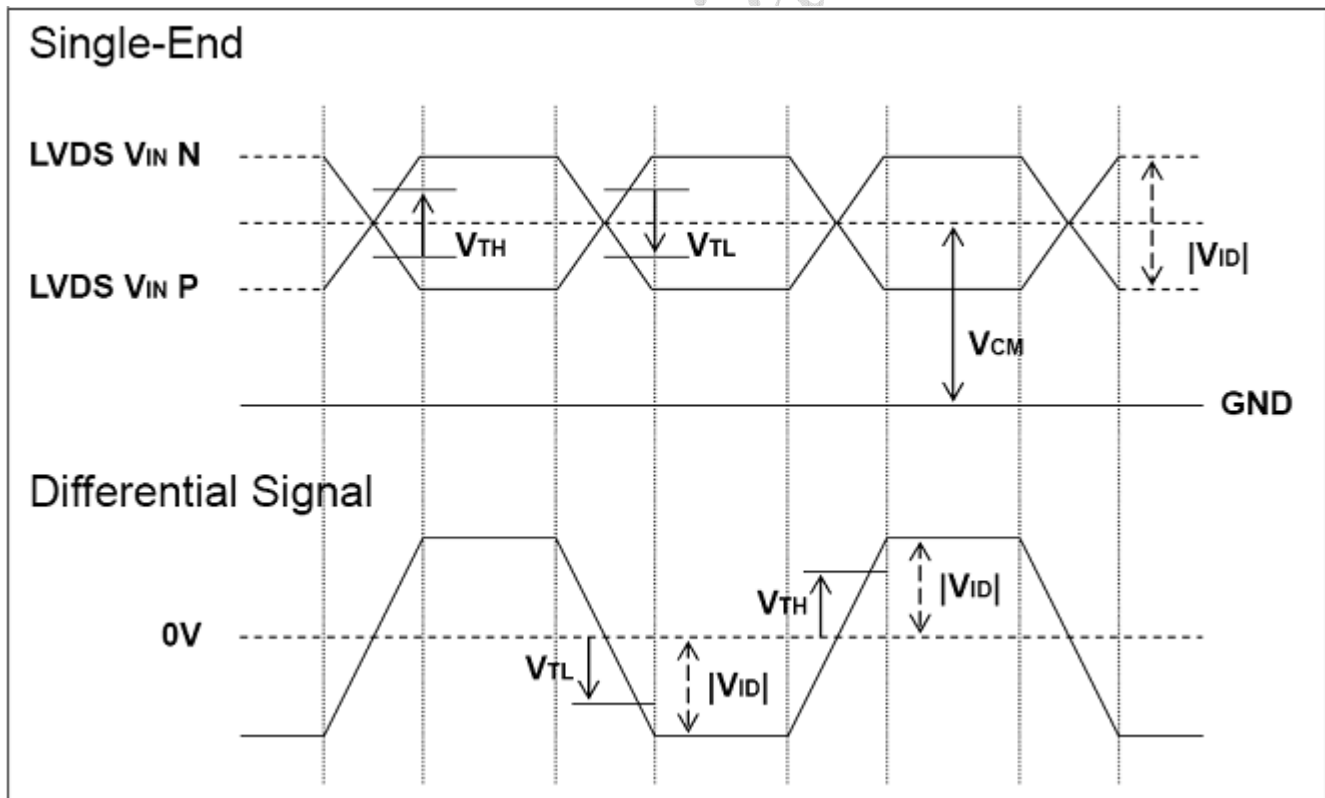
5.1.2 Signal Electrical Characteristics

Input signals shall be low or Hi-Z state when VDD is off. Please refer to specifications of SN75LVDS82DGG (Texas Instruments) in detail.

1. DC Characteristics of each signal are as following:

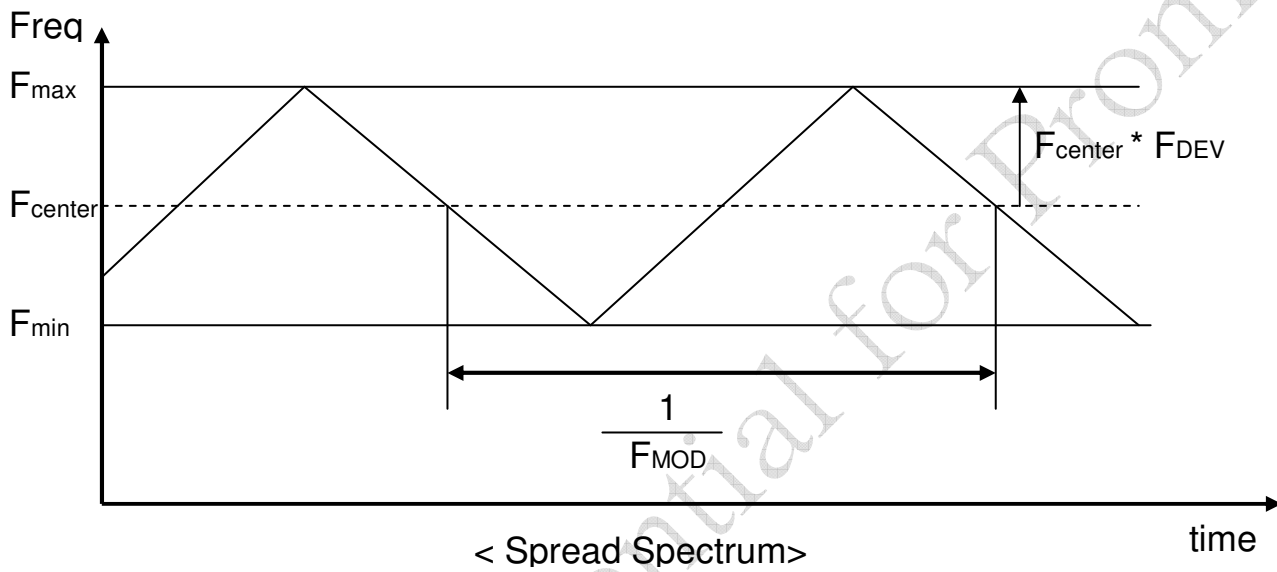
Symbol	Parameter	Min	Typ	Max	Units	Condition
V _{TH}	Differential Input High Threshold	-	-	+100	[mV]	V _{CM} = 1.2V Note 1
V _{TL}	Differential Input Low Threshold	-100	-	-	[mV]	V _{CM} = 1.2V Note 1
V _{ID}	Input Differential Voltage	100	-	600	[mV]	Note 1
V _{CM}	Differential Input Common Mode Voltage	+1.0	+1.2	+1.5	[V]	V _{TH} -V _{TL} = 200mV (max) Note 1

Note 1: LVDS Signal Waveform



2. AC Characteristics

Description	Symbol	Min	Max	Unit	Note
Maximum deviation of input clock frequency during SSC	F_{DEV}	-	± 3	%	
Maximum modulation frequency of input clock during SSC	F_{MOD}	-	200	KHz	



5.2 Backlight Unit

Parameter guideline for LED driving is under stable conditions at 25°C (Room Temperature):

Symbol	Description	Min.	Typ.	Max.	Unit	Note
IRLED1	LED Operation Current	67	70	73	[mA]	Note 1
IRLED2						
IRLED3						
IRLED4						
VLED	Light Bar Operation Voltage	24	25.6	27.2	[Volt]	Note 2
PBLU	BLU Power Consumption	6.4	7.2	7.9	[Watt]	Note 3
LTLED	LED Life Time (Typical)	30,000	-	-	[Hour]	Note 4

Each module consists of 32 pcs LED (4 strings x 8 pcs / string)

Note 1 : The specified current is 100% duty of LED chip input current, IRLED1,2,3,4 define as per strings LED current.

Note 2 : The value showed in the table is one light bar's operation voltage.

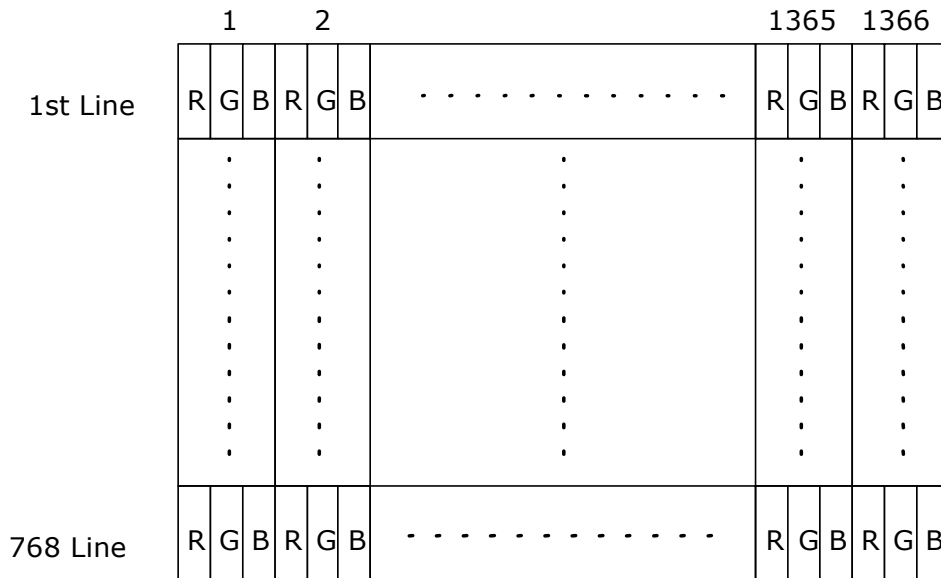
Note 3 : $PBLU = VLED * (IRLED1 + IRLED2 + IRLED3 + IRLED4)$

Note 4: Definition of life time: Brightness becomes to 50% of its original value. The minimum life time of LED unit is on the condition of IRLED = 70mA and 25±2°C (Room Temperature).

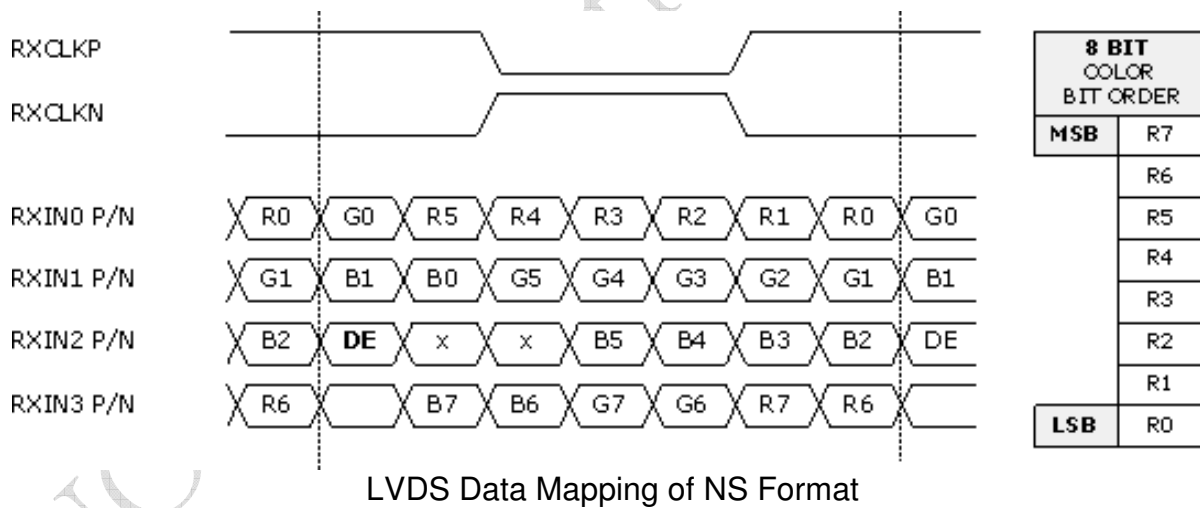
6.0 Signal Characteristic

6.1 Pixel Format Image

Following figure shows the relationship of the input signals and LCD pixel format.



6.2 The input data format

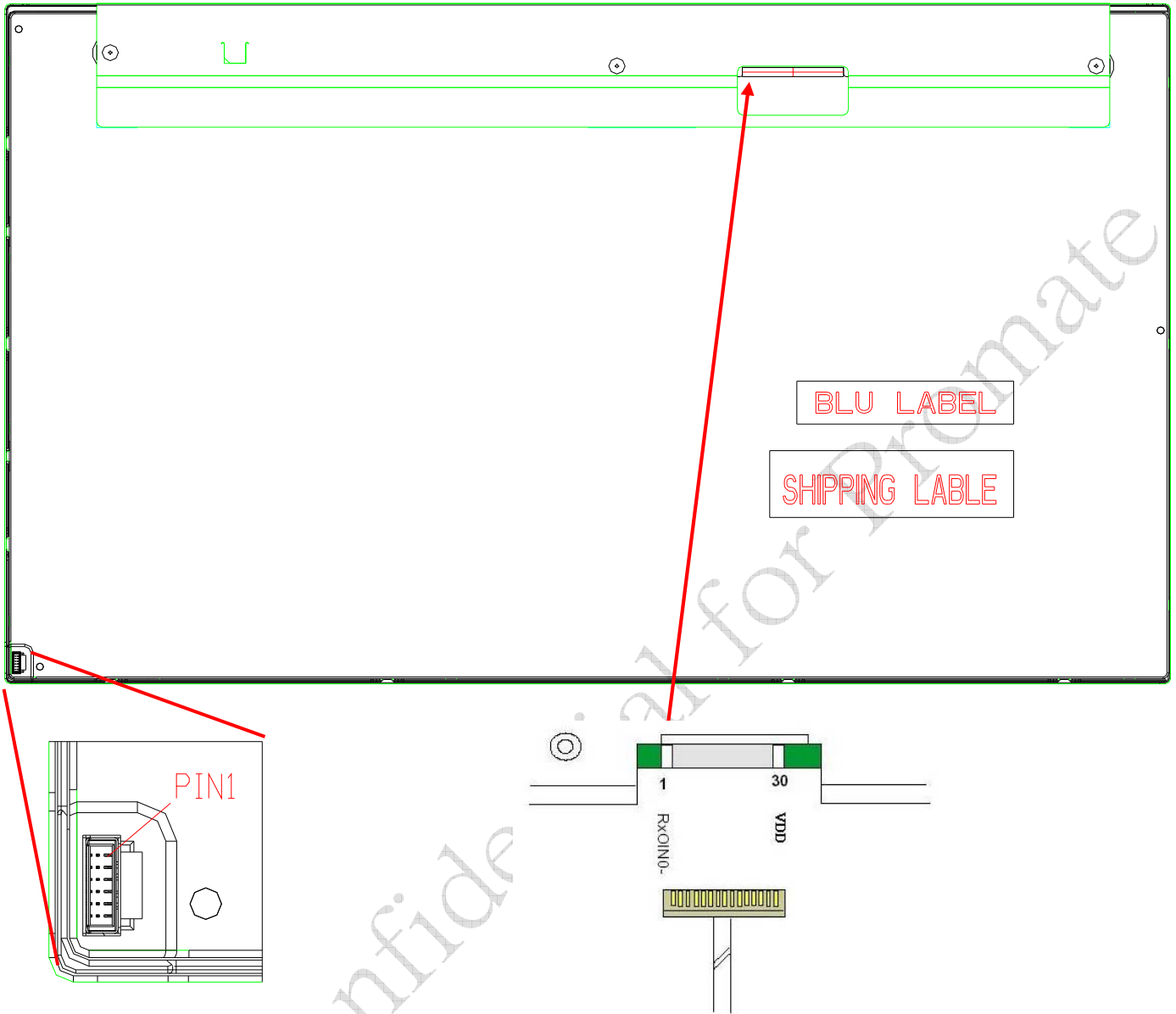


Note1: Normally, DE, VS, HS on EVEN channel are not used.

Note2: 8-bits signal input.

6.3 Signal Description

PIN #	SIGNAL NAME	DESCRIPTION
1	NC	No contact (For AUO internal use)
2	NC	No contact (For AUO internal use)
3	NC	No contact (For AUO internal use)
4	GND	Power Ground
5	RXIN0-	Negative LVDS differential data input (0)
6	RXIN0+	Positive LVDS differential data input (0)
7	GND	Power Ground
8	RXIN1-	Negative LVDS differential data input (1)
9	RXIN1+	Positive LVDS differential data input (1)
10	GND	Power Ground
11	RXIN2-	Negative LVDS differential data input (2)
12	RXIN2+	Positive LVDS differential data input (2)
13	GND	Power Ground
14	RXCLKIN-	Negative LVDS differential clock input (clock)
15	RXCLKIN+	Positive LVDS differential data input (clock)
16	GND	Power Ground
17	RXIN3-	Negative LVDS differential data input (3)
18	RXIN3+	Positive LVDS differential data input (3)
19	GND	Power Ground
20	NC	No contact (For AUO internal use)
21	NC	No contact (For AUO internal use)
22	NC	No contact (For AUO internal use)
23	GND	Power Ground
24	GND	Power Ground
25	GND	Power Ground
26	VDD	+5V power supply
27	VDD	+5V power supply
28	VDD	+5V power supply
29	VDD	+5V power supply
30	VDD	+5V power supply



6.4 Timing Characteristics

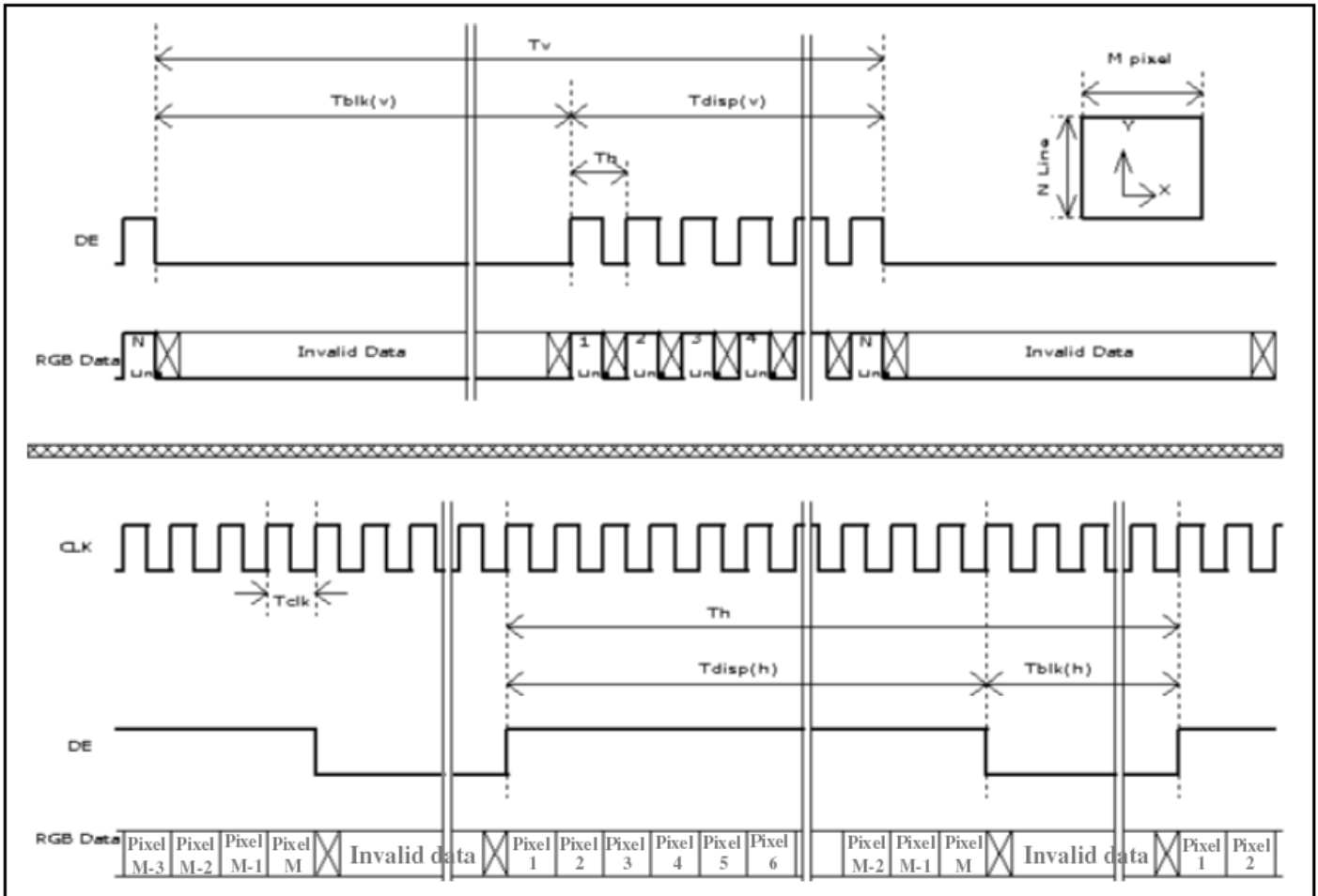
Basically, interface timing described here is not actual input timing of LCD module but close to output timing of SN75LVDS82DGG (Texas Instruments) or equivalent.

Signal	Item	Symbol	Min	Typ	Max	Unit
V-section	Period	Tv	776	808	1023	Th
	Active	Tdisp(v)	768	768	768	Th
	Blanking	Tblk(v)	8	40	255	Th
H-section	Period	Th	1416	1606	2047	Tclk
	Active	Tdisp(h)	1366	1366	1366	Tclk
	Blanking	Tblk(h)	50	240	681	Tclk
Clock	Period	Tclk	-	12.8	-	ns
	Frequency	Freq	55	78	90	MHz
Frame Rate	Frame Rate	F	50	60	75	Hz

Note1 : DE mode only

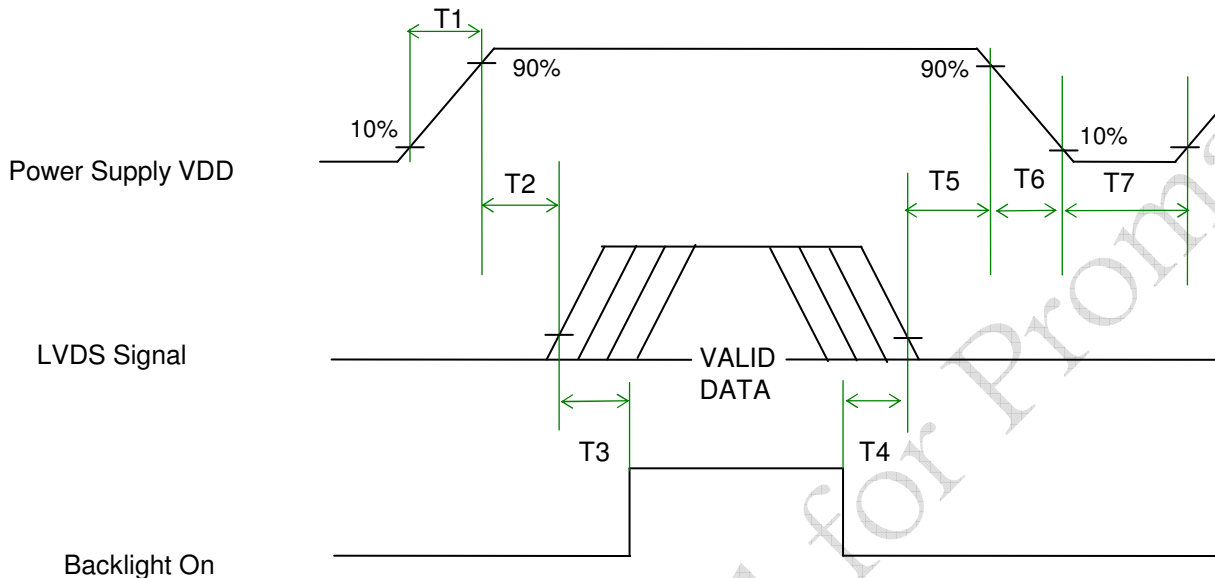
Note2 : Clock Frequency 90MHz(Max.)= 1416(H)*847(V)*75Hz

6.5 Timing diagram



6.6 Power ON/OFF Sequence

VDD power and lamp on/off sequence are as follows. Interface signals are also shown in the chart. Signals from any system shall be Hi-Z state or low level when VDD is off.



Power Sequence Timing

Parameter	Value			Unit
	Min.	Typ.	Max.	
T1	0.5	-	10	[ms]
T2	0	-	50	[ms]
T3	500	-	-	[ms]
T4	100	-	-	[ms]
T5	0	-	50	[ms] Note1,2
T6	5	-	100	[ms] Note1,2
T7	1000	-	-	[ms]

Note1 : Recommend setting T5 = 0ms to avoid electronic noise when VDD is off.

Note2 : During T5 and T6 period , please keep the level of input LVDS signals with Hi-Z state.

7.0 Connector & Pin Assignment

Physical interface is described as for the connector on module. These connectors are capable of accommodating the following signals and will be following components.

7.1 TFT LCD Module

Connector Name / Designation	Interface Connector / Interface card
Manufacturer	STM or P-TWO
Type Part Number	MSCKT2407P30HB (STM) / AL230F-A0G1D-P (P-TWO)
Mating Housing Part Number	FI-X30HL(JAE) (Locked Type) FI-X30H (JAE)(Unlocked Type)

7.1.1 Pin Assignment

Pin#	Signal Name	Pin#	Signal Name
1	NC	2	NC
3	NC	4	GND
5	RXIN0-	6	RXIN0+
7	GND	8	RXIN1-
9	RXIN1+	10	GND
11	RXIN2-	12	RXIN2+
13	GND	14	RXCLKIN-
15	RXCLKIN+	16	GND
17	RXIN3-	18	RXIN3+
19	GND	20	NC
21	NC	22	NC
23	GND	24	GND
25	GND	26	VDD
27	VDD	28	VDD
29	VDD	30	VDD

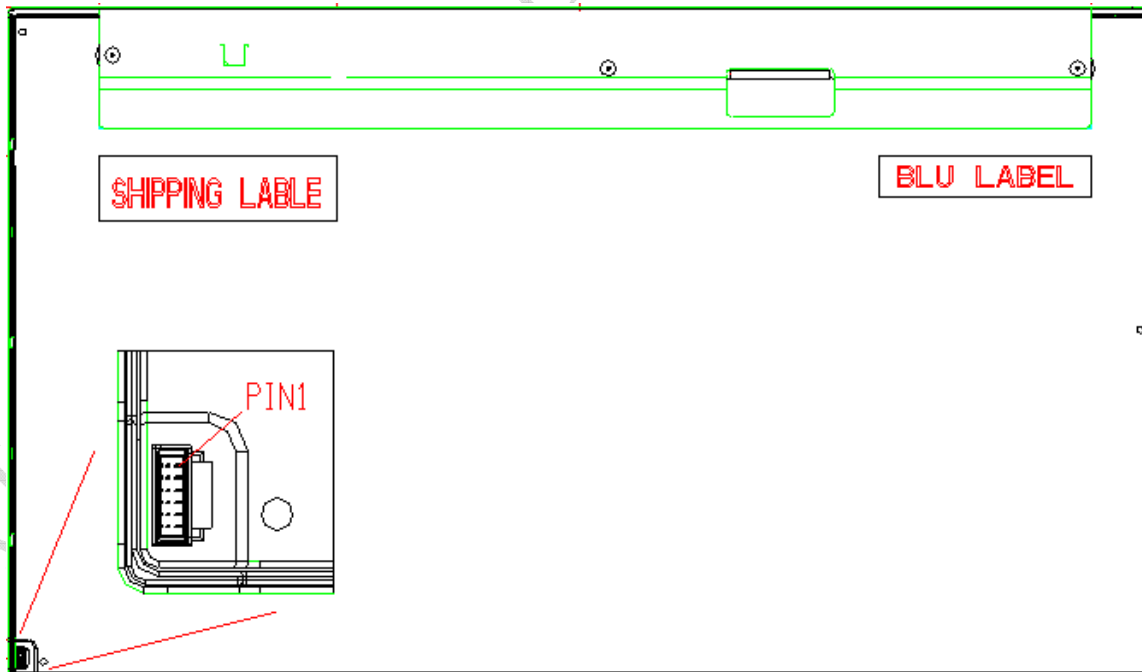
7.2 LED Connector on Backlight Unit.

This connector is mounted on LED light-bar.

Connector Name / Designation	Light Bar Connector
Manufacturer	ENTERY (E&T) Corporation
Mating Type Part Number	3707K-Q06N-01R (Wire harness)

7.2.1 LED Pin assignment

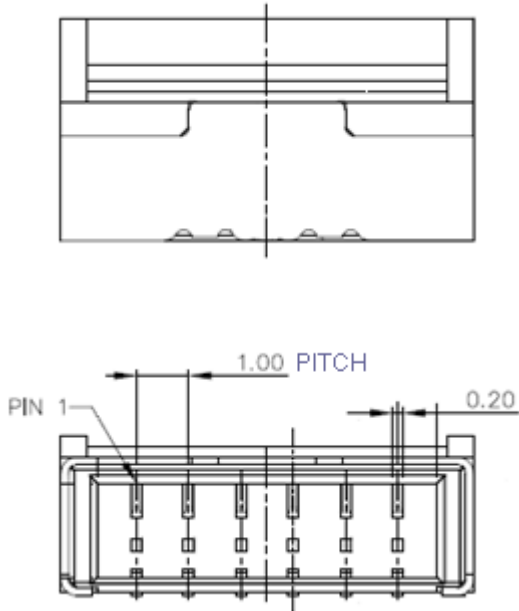
Pin#	Signal Name
1	IRLED1 (current out)
2	IRLED2 (current out)
3	VLED (voltage in)
4	VLED (voltage in)
5	IRLED3 (current out)
6	IRLED4 (current out)



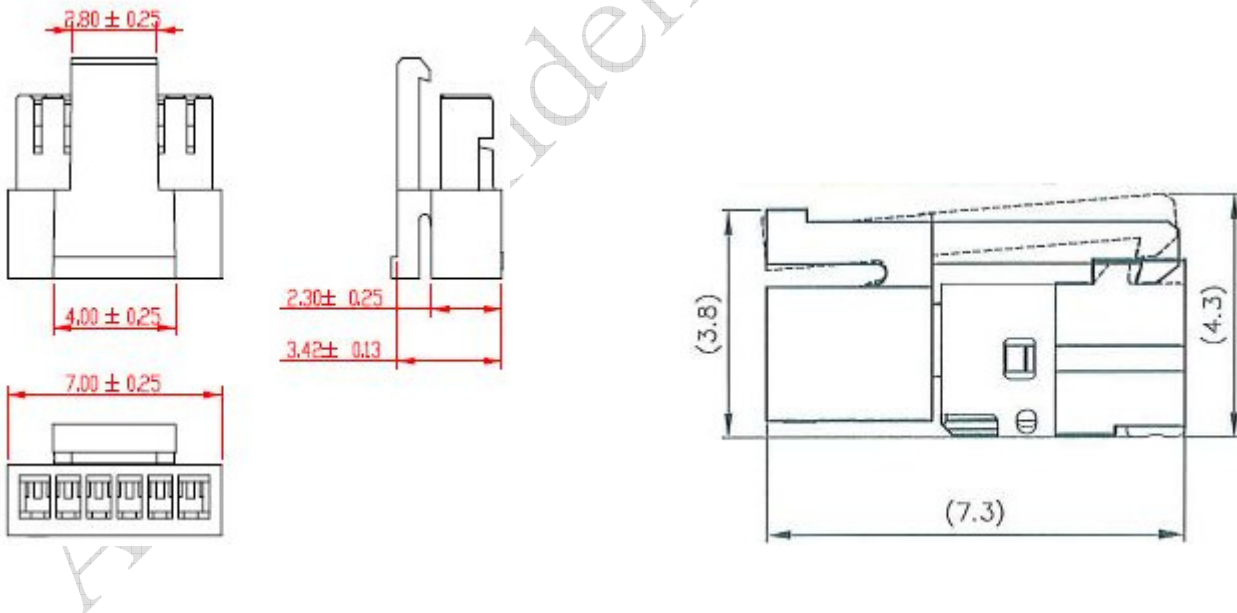
7.2.2 LED Connector dimension

$H \times V \times D = 13.9 \times 3.00 \times 4.25$, Pitch = 1.0 (unit = mm)

$H \times V \times D = 13.9 \times 3.00 \times 4.25$, Pitch = 1.0 (unit = mm)



7.2.3 LED Mating housing dimension



8.0 Reliability Test

Environment test conditions are listed as following table.

Items	Required Condition	Note
Temperature Humidity Bias (THB)	Ta= 50°C , 80%RH, 300hours	
High Temperature Operation (HTO)	Ta= 50°C , 50%RH, 300hours	
Low Temperature Operation (LTO)	Ta= 0°C , 300hours	
High Temperature Storage (HTS)	Ta= 60°C , 300hours	
Low Temperature Storage (LTS)	Ta= -20°C , 300hours	
Vibration Test (Non-operation)	Acceleration: 1.5 Grms Wave: Random Frequency: 10 - 200 Hz Duration: 30 Minutes each Axis (X, Y, Z)	
Shock Test (Non-operation)	Acceleration: 50 G Wave: Half-sine Active Time: 20 ms Direction: ±X, ±Y, ±Z (one time for each Axis)	
Drop Test	Height: 46 cm, package test	
Thermal Shock Test (TST)	-20°C/30min, 60°C/30min, 100 cycles	1
On/Off Test	On/10sec, Off/10sec, 30,000 cycles	
ESD (Electro Static Discharge)	Contact Discharge: ± 15KV, 150pF(330Ω) 1sec, 15 points, 25 times/ point.	2
	Air Discharge: ± 15KV, 150pF(330Ω) 1sec 15 points, 25 times/ point.	
Altitude Test	Operation:18,000 ft Non-Operation:40,000 ft	

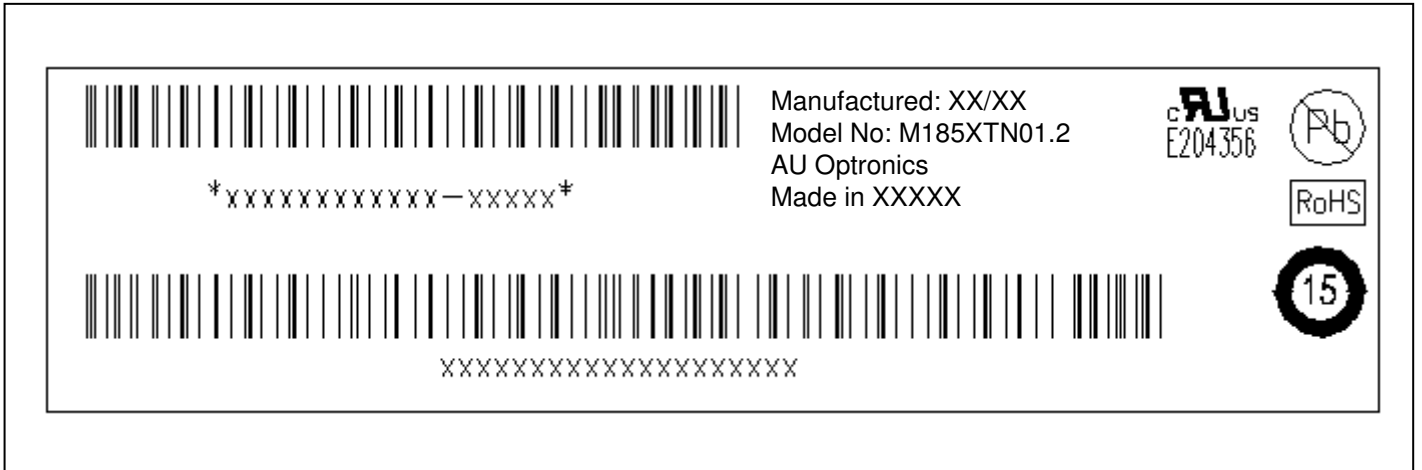
Note 1: The TFT-LCD module will not sustain damage after being subjected to 100 cycles of rapid temperature change. A cycle of rapid temperature change consists of varying the temperature from -20°C to 60°C, and back again. Power is not applied during the test. After temperature cycling, the unit is placed in normal room ambient for at least 4 hours before power on.

Note 2: EN61000-4-2, ESD class B:

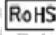
- Certain performance degradation allowed
- No data lost
- Self-recoverable
- No hardware failures.

9.0 Shipping Label

The label is on the panel as shown below:



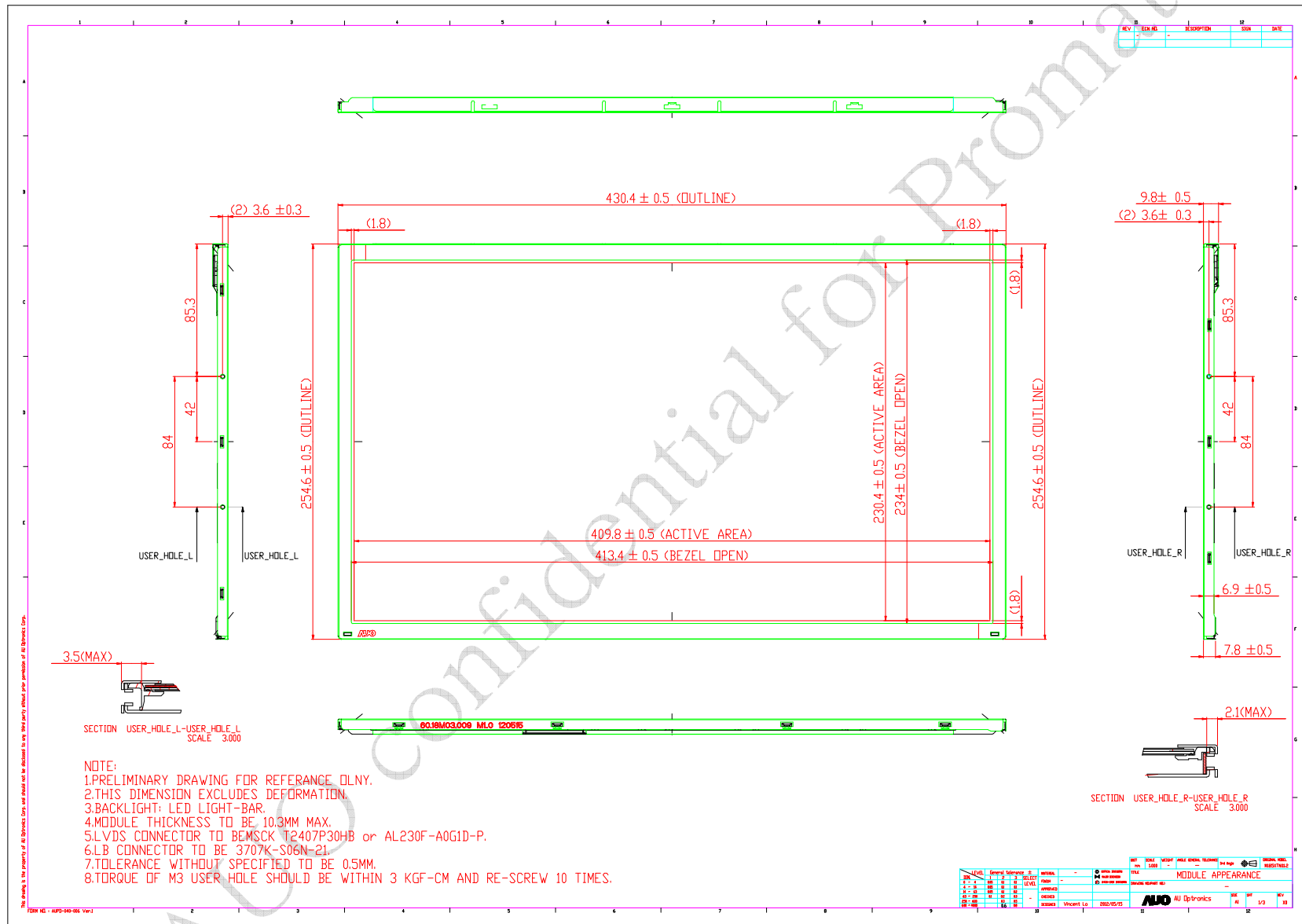
Note 1: For Pb Free products, AUO will add  for identification.

Note 2: For RoHS compatible products, AUO will add  for identification.

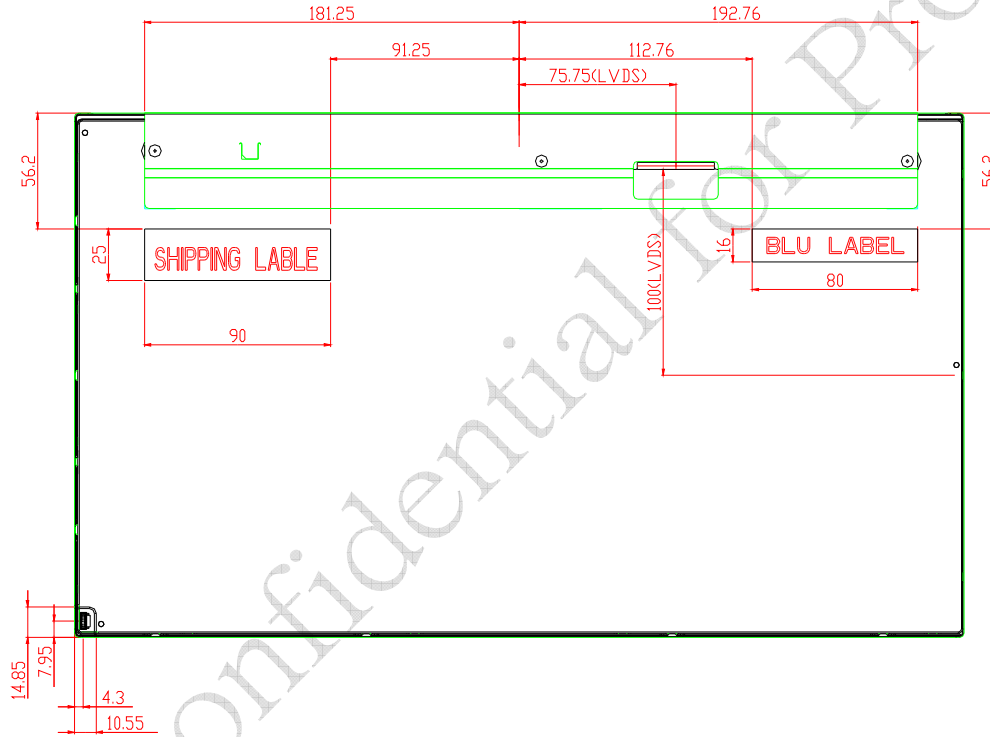
Note 3: For China RoHS compatible products, AUO will add  for identification.

Note 4: The Green Mark will be presented only when the green documents have been ready by AUO Internal Green Team.

10.0 Mechanical Characteristics



NOTES :
 1. THE DIMENSION EXCLUDES DEFORMATION.
 2. TOLERANCE WITHOUT NOTICED TO BE ±0.5MM.



REV	CON NO	DESCRIPTION	BY	DATE

All rights are the property of AU Optronics Corp. and should not be released to any third party without prior approval of AU Optronics Corp.

REV	CON NO	DESCRIPTION	BY	DATE

LEVEL	General Reference	Material	Part No.	Part Name	Quantity	Unit	Remarks
1							
2							
3							
4							
5							
6							
7							
8							
9							
10							
11							
12							
13							
14							
15							
16							
17							
18							
19							
20							
21							
22							
23							
24							
25							
26							
27							
28							
29							
30							
31							
32							
33							
34							
35							
36							
37							
38							
39							
40							
41							
42							
43							
44							
45							
46							
47							
48							
49							
50							
51							
52							
53							
54							
55							
56							
57							
58							
59							
60							
61							
62							
63							
64							
65							
66							
67							
68							
69							
70							
71							
72							
73							
74							
75							
76							
77							
78							
79							
80							
81							
82							
83							
84							
85							
86							
87							
88							
89							
90							
91							
92							
93							
94							
95							
96							
97							
98							
99							
100							

REV	CON NO	DESCRIPTION	BY	DATE

11. Packing Specification

M185 14片裝:48.5*37.2*34.8cm

料號:

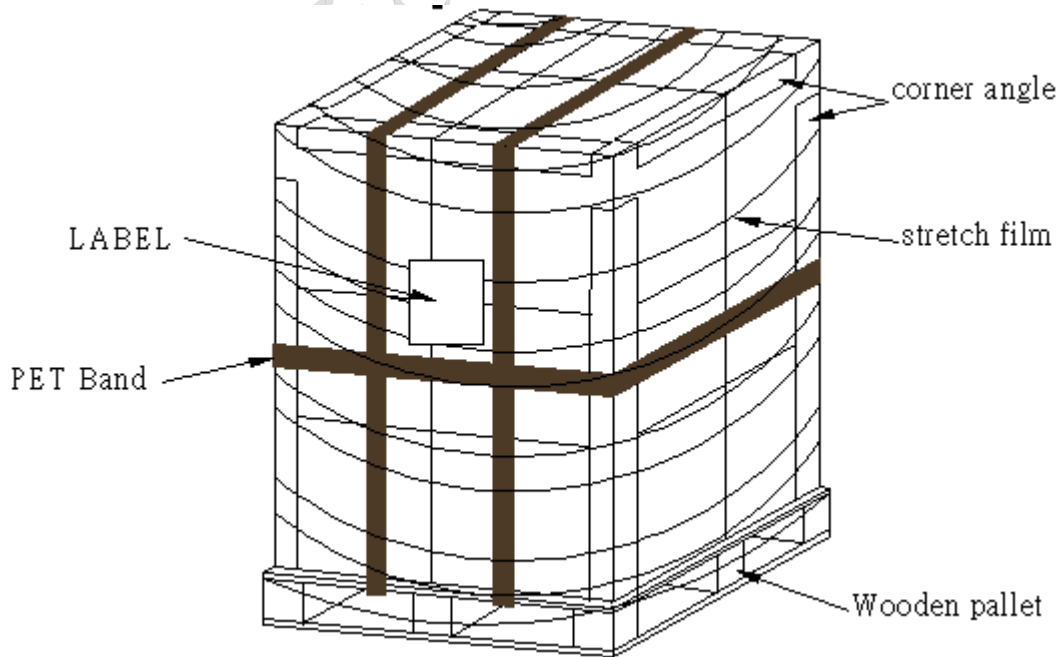
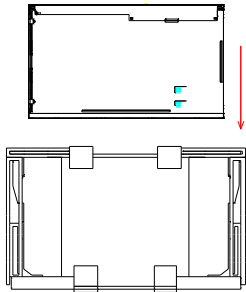
Carton:81.18M02.008 /Cushion:84.18M02.037



將M185模組置入靜電袋中並折疊後
依序放入包裝隔板中



放置14片，放入上蓋緩衝，封箱完成



單層 pallet 打棧示意圖

Pallet and shipment information

	Item	Specification			Remark
		Q'ty	Dimension	Weight(kg)	
1	Panel	1	430.37(H)mm x 254.6(V)mm x 9.9(D)mm	1.330	
2	Cushion	1	-	1.125	
3	Box	1	485(L)mm x 372(W)mm x 348(H)mm	1.00	without Panel & cushion
4	Packing Box	14 pcs/Box	485(L)mm x 372(W)mm x 348(H)mm	20.745	with panel & cushion
5	Pallet	1	1150(L)mm x 980(W)mm x 138(H)mm	15	
6	Pallet after Packing	24 boxes/pallet	1150(L)mm x 980(W)mm x 138(H)mm	509	

AUO confidential for Promate