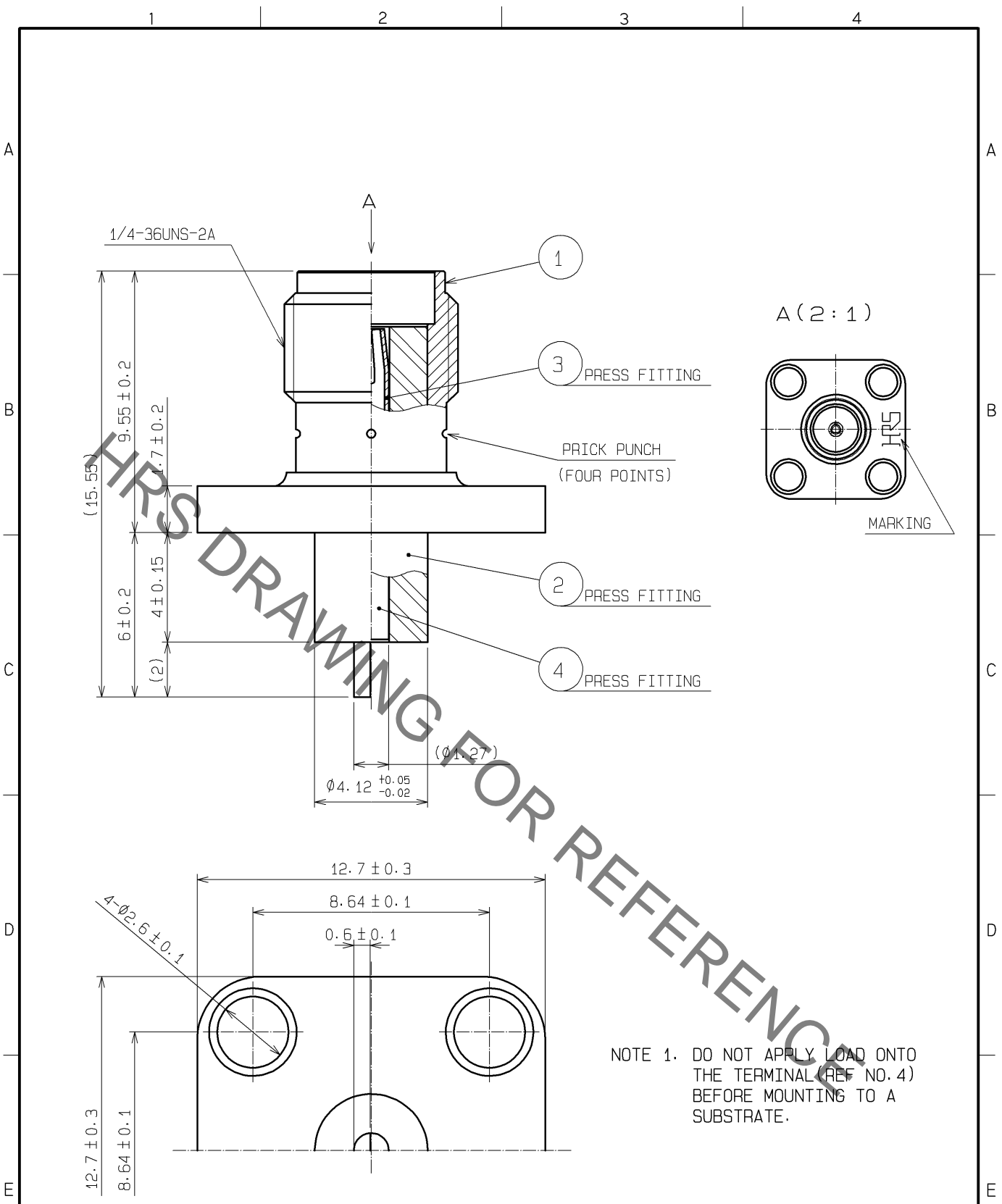


Jul.1.2020 Copyright 2020 HIROSE ELECTRIC CO., LTD. All Rights Reserved.  
 In case of consideration for using Automotive equipment / device which demand high reliability, kindly contact our sales window correspondents.



RoHS COMPLIANT

2	PTFE		4	BRASS	GOLD PLATING
1	STAINLESS STEEL	PASSIVATE	3	BERYLLIUM COPPER	GOLD PLATING
NO.	MATERIAL	FINISH . REMARKS	NO.	MATERIAL	FINISH . REMARKS
UNITS mm		SCALE 5 : 1	COUNT 	DESCRIPTION OF REVISIONS	DESIGNED
HIROSE ELECTRIC CO., LTD.		APPROVED : MH. YAMANE	08. 06. 30	DRAWING NO.	EDC4-312122-00
		CHECKED : MH. YAMANE	08. 06. 30	PART NO.	HRM(V)-306S
		DESIGNED : TS. NOBE	08. 06. 30	CODE NO.	CL323-0879-5-00
		DRAWN : TS. NOBE	08. 06. 30		1/1