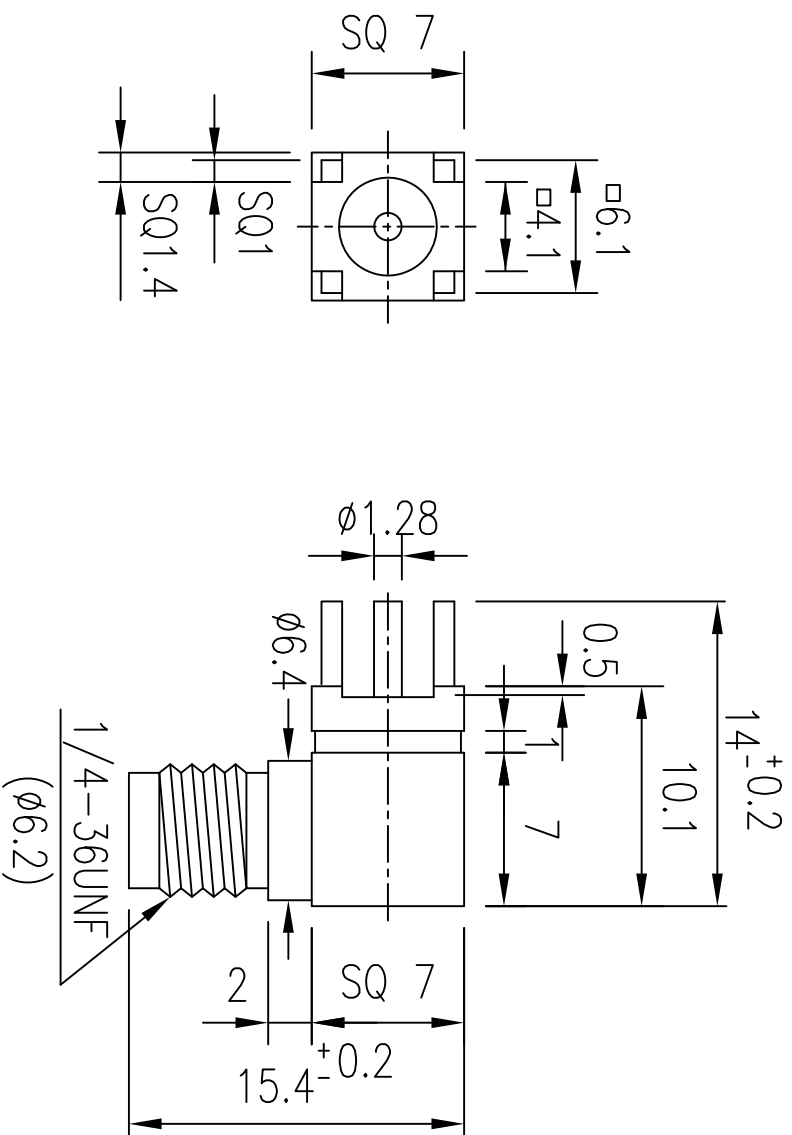




RoHS



RIGHT ANGLE SMA FEMALE P.C. BOARD MOUNT

|         |             |        |             |               |  |                                 |
|---------|-------------|--------|-------------|---------------|--|---------------------------------|
| 5       | DIELECTRIC  | 1      | TEF         | NONE          |  |                                 |
| 4       | DIELECTRIC  | 1      | TEF         | NONE          |  |                                 |
| 3       | PIN         | 1      | PHOS BRONZE | GOLD          |  |                                 |
| 2       | BODY        | 1      | BRASS       | GOLD          |  |                                 |
| 1       | BODY        | 1      | BRASS       | GOLD          |  |                                 |
| NO.     | DESCRIPTION | QTY    | MATERIAL    | SPECIFICATION |  | REMARK                          |
| DRAW BY | CHUN        | 030411 | SCALE       | 3 : 1         |  | ITEM NO. TL4046-BTGG            |
| DEGN BY | YANG        |        | UNIT        | MM            |  | TITLE SMA FEMALE CONNECTOR      |
| APPD BY | RAY         |        |             |               |  | DRAWING NO. TL4046-BTGG-TNS61-C |

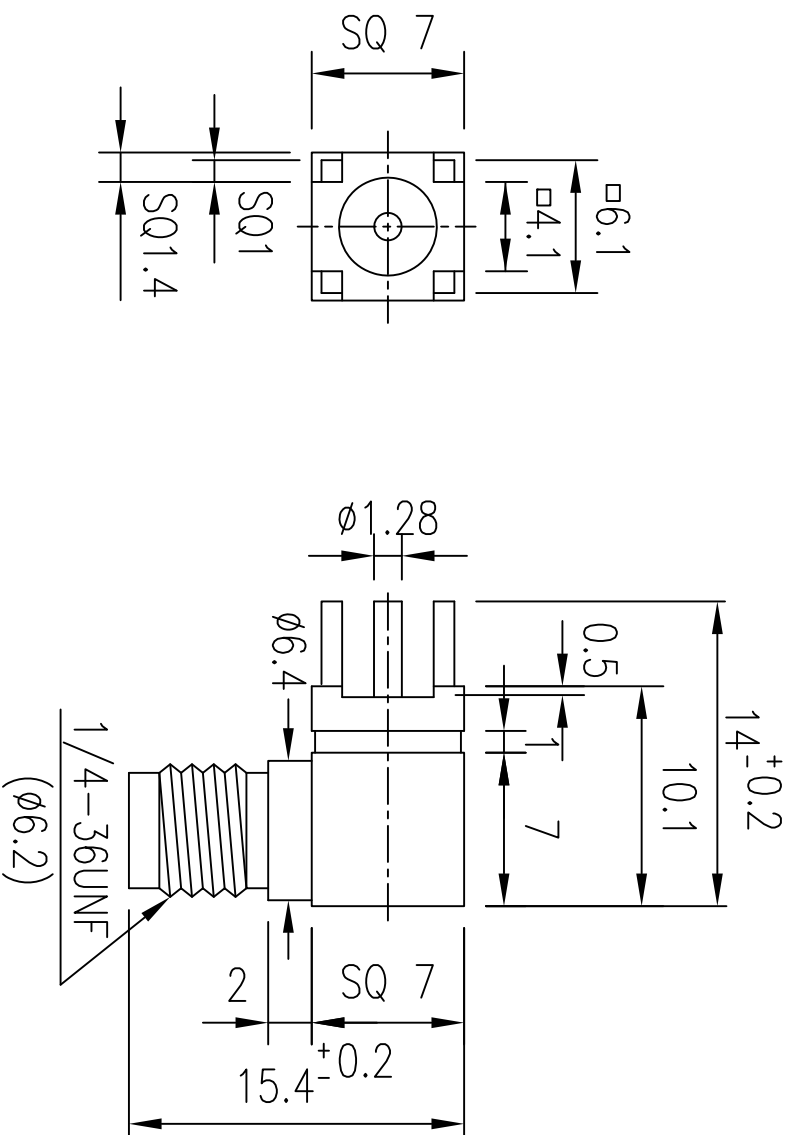
同利企業有限公司

TELE LONG ENTERPRISE CO.,LTD

DATE DRAWNG BY REVISED



ROHS



RIGHT ANGLE SMA FEMALE P.C. BOARD MOUNT

|         |             |        |             |               |                                 |
|---------|-------------|--------|-------------|---------------|---------------------------------|
| 5       | DIELECTRIC  | 1      | TEF         | NONE          |                                 |
| 4       | DIELECTRIC  | 1      | TEF         | NONE          |                                 |
| 3       | PIN         | 1      | PHOS BRONZE | GOLD          |                                 |
| 2       | BODY        | 1      | BRASS       | NICKEL        |                                 |
| 1       | BODY        | 1      | BRASS       | NICKEL        |                                 |
| NO.     | DESCRIPTION | QTY    | MATERIAL    | SPECIFICATION | REMARK                          |
| DRAW BY | CHUN        | 030411 | SCALE       | 3 : 1         | ITEM NO. TL4046-BTNG            |
| DEGN BY | YANG        |        | UNIT        | MM            | TITLE SMA FEMALE CONNECTOR      |
| APPD BY | RAY         |        |             |               | DRAWING NO. TL4046-BTNG-TNS61-C |

|      |          |         |          |                              |
|------|----------|---------|----------|------------------------------|
| DATE | DRAWG BY | REVISED | 同利企業有限公司 | TELE LONG ENTERPRISE CO.,LTD |
|------|----------|---------|----------|------------------------------|