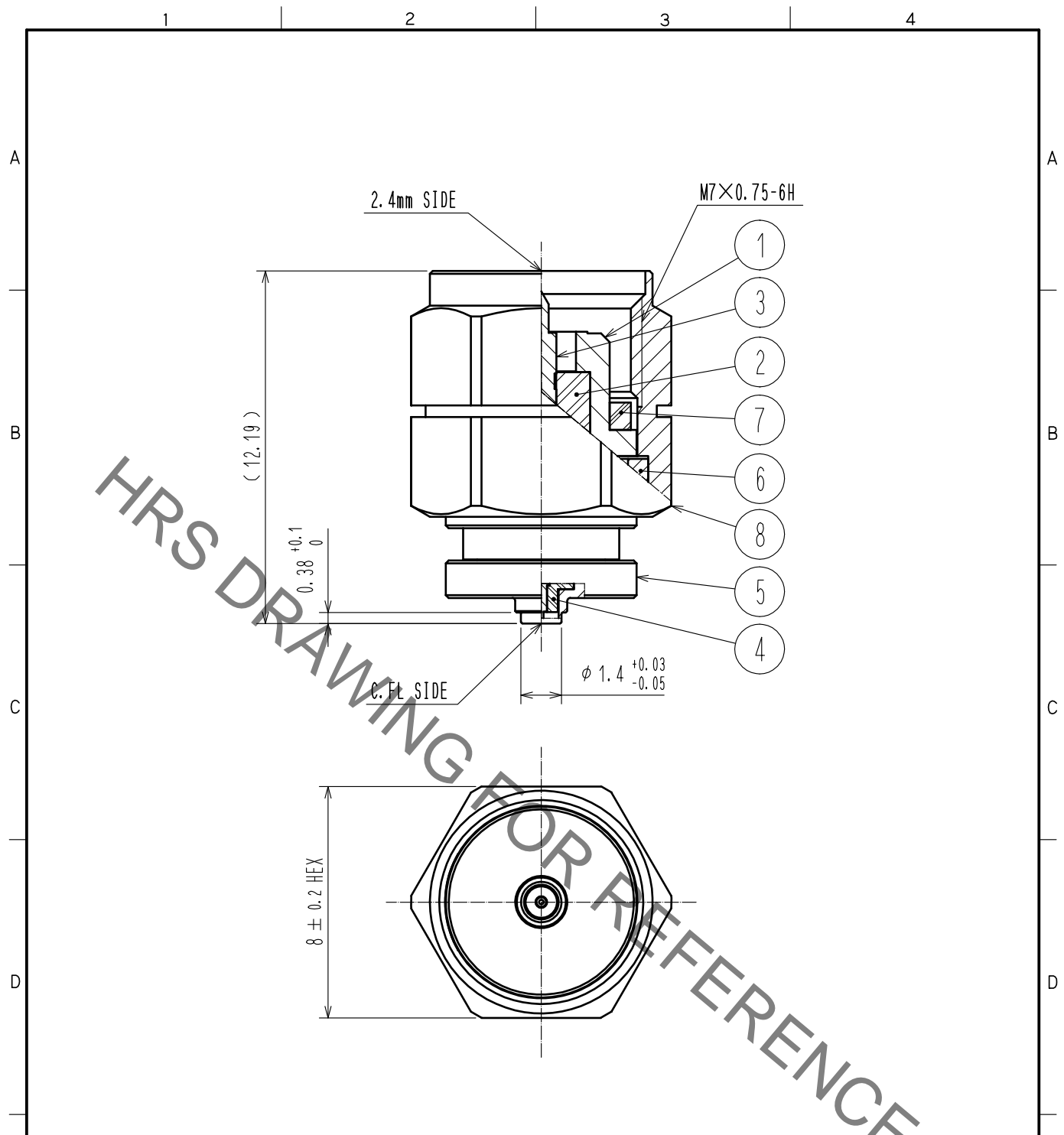


Oct.1.2021 Copyright 2021 HIROSE ELECTRIC CO., LTD. All Rights Reserved.
 In case of consideration for using Automotive equipment / device which demand high reliability, kindly contact our sales window correspondents.



NOTE 1 2.4mm male to C.FL Receptacle Adapter.
 Since this adapter has no lock structure on the mating part of the C.FL side,
 please use only for electrical measurement.

4	PTFE		8	STAINLESS STEEL	PASSIVATE		
3	PHOSPHOR BRONZE	GOLD PLATING	7	SILICONE RUBBER			
2	PTFE		6	BERYLLIUM COPPER	NICKEL PLATING		
1	STAINLESS STEEL	PASSIVATE	5	STAINLESS STEEL	NICKEL PLATING		
NO.	MATERIAL	FINISH .	REMARKS	NO.	MATERIAL	FINISH .	REMARKS

UNITS mm		SCALE 5 : 1	COUNT 	DESCRIPTION OF REVISIONS	DESIGNED	CHECKED	DATE
HIROSE ELECTRIC CO., LTD.				APPROVED : TS. NOBE 20190625 CHECKED : MH. TSUCHIDA 20190625 DESIGNED : TK. SAWAGUCHI 20190624 DRAWN : TK. SAWAGUCHI 20190624	DRAWING NO. EDC-379941-00-00 PART NO. C.FLJ-H2.4P CODE NO. CL311-0017-0-00		