

F

E

D

C

B

A

F

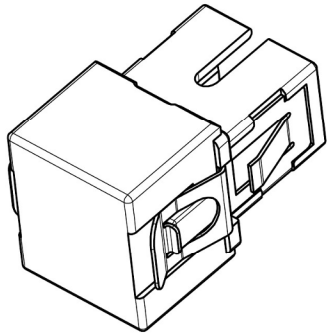
E

D

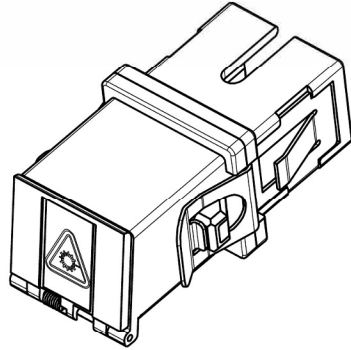
C

B

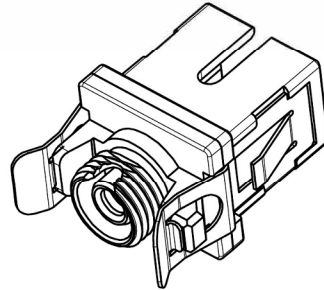
A



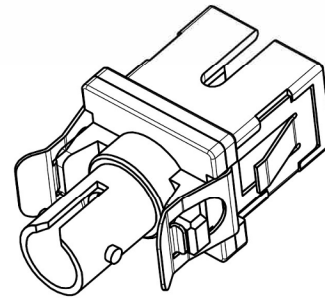
SHOWN WITH DUST CAP  
INSTALLED (NO MODULE)



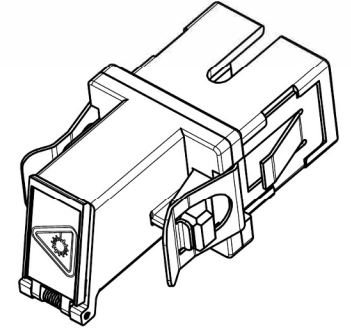
SC-SC VERSIONS  
SEE SHEET 3



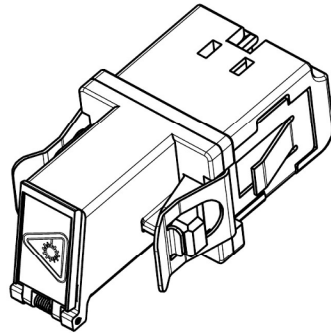
SC-FC VERSIONS  
SEE SHEET 4



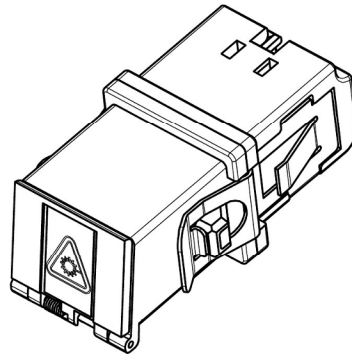
SC-ST VERSIONS  
SEE SHEET 5



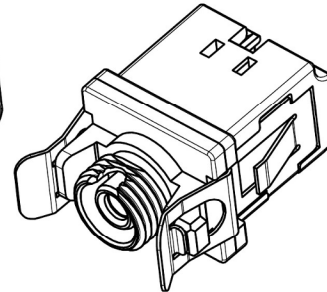
SC-LC VERSION  
SEE SHEET 6



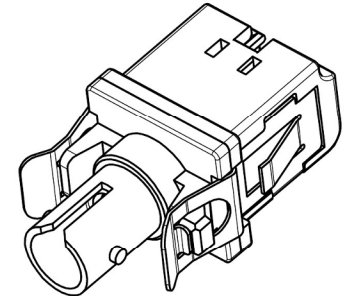
LC-LC VERSIONS  
SEE SHEET 7



LC-SC VERSION  
SEE SHEET 8



LC-FC VERSION  
SEE SHEET 9



LC-ST VERSION  
SEE SHEET 10

<b>ENTER DESCRIPTION</b> EC NO: MF2008-0308 2008/02/07 DRWN:KPEVZNER 2008/02/07 CHKD: 2008/02/07 APPR: LGJMIN 2008/02/14 A3 REV	<b>QUALITY SYMBOLS</b> ▼=0 ▽=0	<b>GENERAL TOLERANCES (UNLESS SPECIFIED)</b> <table border="1"> <thead> <tr> <th></th> <th>mm</th> <th>INCH</th> </tr> </thead> <tbody> <tr> <td>4 PLACES</td> <td>± ---</td> <td>± ---</td> </tr> <tr> <td>3 PLACES</td> <td>± ---</td> <td>± ---</td> </tr> <tr> <td>2 PLACES</td> <td>± ---</td> <td>± ---</td> </tr> <tr> <td>1 PLACE</td> <td>± ---</td> <td>± ---</td> </tr> </tbody> </table>		mm	INCH	4 PLACES	± ---	± ---	3 PLACES	± ---	± ---	2 PLACES	± ---	± ---	1 PLACE	± ---	± ---	<b>DIMENSION STYLE</b> MM/IN	<b>SCALE</b> 2.5:1	<b>DESIGN UNITS</b> METRIC	THIRD ANGLE PROJECTION
		mm	INCH																		
	4 PLACES	± ---	± ---																		
	3 PLACES	± ---	± ---																		
2 PLACES	± ---	± ---																			
1 PLACE	± ---	± ---																			
<b>DRAFT WHERE APPLICABLE MUST REMAIN WITHIN DIMENSIONS</b>		<table border="1"> <thead> <tr> <th>DRAWN BY</th> <th>DATE</th> </tr> </thead> <tbody> <tr> <td>SERNST</td> <td>2006/02/13</td> </tr> <tr> <th>CHECKED BY</th> <th>DATE</th> </tr> <tr> <td>DSZILAGYI</td> <td>2006/03/07</td> </tr> <tr> <th>APPROVED BY</th> <th>DATE</th> </tr> <tr> <td>SMIGO</td> <td>2006/03/07</td> </tr> </tbody> </table>	DRAWN BY	DATE	SERNST	2006/02/13	CHECKED BY	DATE	DSZILAGYI	2006/03/07	APPROVED BY	DATE	SMIGO	2006/03/07	<b>TITLE</b> UNIVERSAL ADAPTER	<b>MOLEX INCORPORATED</b>					
DRAWN BY	DATE																				
SERNST	2006/02/13																				
CHECKED BY	DATE																				
DSZILAGYI	2006/03/07																				
APPROVED BY	DATE																				
SMIGO	2006/03/07																				
		<b>SEE TABLES</b>	<b>DOCUMENT NO.</b> SD-106154-002	<b>SHEET NO.</b> 1 OF 10																	
THIS DRAWING CONTAINS INFORMATION THAT IS PROPRIETARY TO MOLEX INCORPORATED AND SHOULD NOT BE USED WITHOUT WRITTEN PERMISSION																					

10

9

8

7

6

5

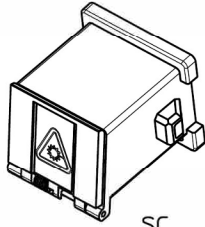
4

3

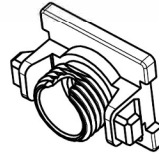
2

106154

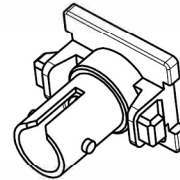
MODULE P/N	TYPE	COLOR
1061540020	SC	BLUE
1061540022		BEIGE
1061540025		GREEN
1061540031	FC	BLUE
1061540033		BEIGE
1061540036		GREEN
1061540041	ST	BLUE
1061540043		BEIGE
1061540130	LC	BLUE
1061540131		BEIGE
1061540132		GREEN



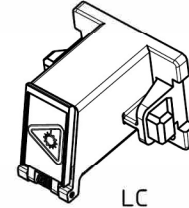
SC



FC

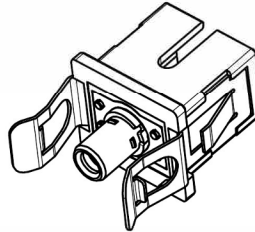


ST

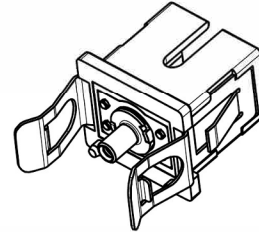


LC

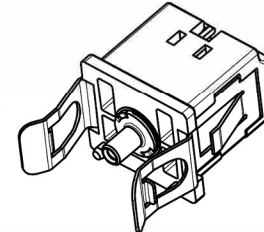
BASE P/N	TYPE	SLEEVE MAT'L	TYPE
1061540015	SINGLE MODE	ZIRCONIA	SC BASE TO 2.5mm
1061540016	MULTIMODE	PHOS BRONZE	SC BASE TO 1.25mm
1061540017	SM/MM	NICKEL	SC BASE TO 1.25mm
1061540215	SINGLE MODE	ZIRCONIA	LC BASE TO 1.25mm
1061540216	MULTIMODE	PHOS BRONZE	LC BASE TO 1.25mm
1061540217	SM/MM	NICKEL	LC BASE TO 2.5mm



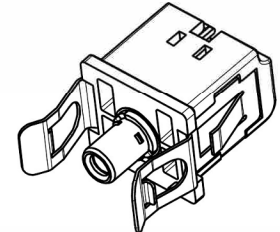
SC TO 2.5mm



SC TO 1.25mm



LC TO 1.25mm



LC TO 2.5mm

SLEEVE ASBY	TYPE	SLEEVE MAT'L	TYPE
1061540050	SINGLE MODE	ZIRCONIA	2.5mm
1061540051	MULTIMODE	PHOS BRONZE	
1061540052	SINGLE MODE	ZIRCONIA	1.25mm
1061540053	MULTIMODE	PHOS BRONZE	
1061540054	SM/MM	NICKEL	HYBRID 1.25 TO 2.5mm



2.5mm

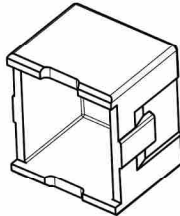


1.25mm



HYBRID

DUST CAP  
P/N 1061540006



<b>ENTER DESCRIPTION</b> IEC NO: MF2008-0308 DRW/KPEVZNER CHKD: APPR: IJUMIN 2008/02/07 2008/02/07 2008/02/14 DESCRIPTION REV	<b>QUALITY SYMBOLS</b> $\nabla=0$ $\nabla=0$	<b>GENERAL TOLERANCES (UNLESS SPECIFIED)</b> <table border="1"> <thead> <tr> <th></th> <th>mm</th> <th>INCH</th> </tr> </thead> <tbody> <tr> <td>4 PLACES</td> <td>± ---</td> <td>± ---</td> </tr> <tr> <td>3 PLACES</td> <td>± ---</td> <td>± ---</td> </tr> <tr> <td>2 PLACES</td> <td>± ---</td> <td>± ---</td> </tr> <tr> <td>1 PLACE</td> <td>± ---</td> <td>± ---</td> </tr> </tbody> </table>		mm	INCH	4 PLACES	± ---	± ---	3 PLACES	± ---	± ---	2 PLACES	± ---	± ---	1 PLACE	± ---	± ---	<b>DIMENSION STYLE</b> MM/IN	<b>SCALE</b> 2:1	<b>DESIGN UNITS</b> METRIC	<b>THIRD ANGLE PROJECTION</b>
		mm	INCH																		
	4 PLACES	± ---	± ---																		
	3 PLACES	± ---	± ---																		
2 PLACES	± ---	± ---																			
1 PLACE	± ---	± ---																			
<b>DRAFT WHERE APPLICABLE MUST REMAIN WITHIN DIMENSIONS</b>	<b>SEE TABLES</b>	<b>DRAWN BY</b> SERNST	<b>DATE</b> 2006/02/13	<b>TITLE</b> UNIVERSAL ADAPTER																	
<b>SIZE</b> B	<b>THIS DRAWING CONTAINS INFORMATION THAT IS PROPRIETARY TO MOLEX INCORPORATED AND SHOULD NOT BE USED WITHOUT WRITTEN PERMISSION</b>	<b>APPROVED BY</b> SMIGO	<b>DATE</b> 2006/03/07	<b>MOLEX</b>	<b>MOLEX INCORPORATED</b>	<b>SHEET NO.</b> 2 OF 10															
<b>A3</b>		<b>MATERIAL NO.</b> SEE TABLES	<b>DOCUMENT NO.</b> SD-106154-002																		

9

8

7

6

5

4

3

2

1

10

9

8

7

6

5

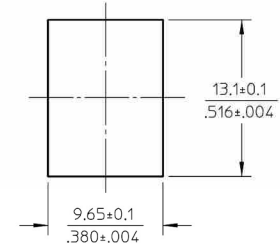
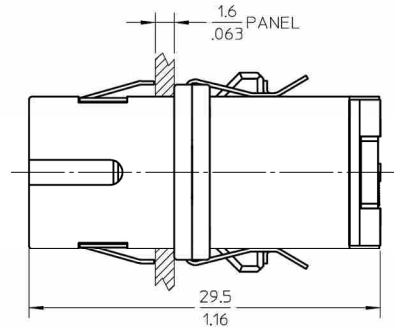
4

3

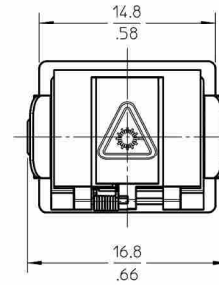
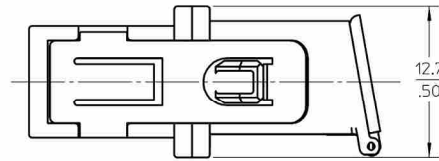
2

106154

ADAPTER P/N	STYLE	TYPE	SLEEVE MAT'L	MODULE COLOR
1061541100	SC-SC	SINGLE MODE	ZIRCONIA	BLUE
1061541105	SC-SC/APC			GREEN
1061541101	SC-SC	MULTIMODE	PHOSPHOR BRONZE	BEIGE



RECOMMENDED MOUNTING CUTOUT  
(1.6mm THICK PANEL)



## NOTES:

- ALL DIMENSIONS ARE FOR REFERENCE ONLY.
- PACKAGING: ADAPTERS AND DUSTCAPS ARE PACKED IN A PLASTIC TRAY.

<b>ENTER DESCRIPTION</b> IEC NO: MF2008-0308 2008/02/07 DRW:KPEVZNER 2008/02/07 CHKD: 2008/02/07 APPR: LGUMIN 2008/02/14 REV <b>A3</b>	<b>QUALITY SYMBOLS</b> ▽=0 ▽=0	<b>GENERAL TOLERANCES (UNLESS SPECIFIED)</b> <table border="1"> <thead> <tr> <th></th> <th>mm</th> <th>INCH</th> </tr> </thead> <tbody> <tr> <td>4 PLACES</td> <td>± .---</td> <td>± .---</td> </tr> <tr> <td>3 PLACES</td> <td>± .---</td> <td>± .---</td> </tr> <tr> <td>2 PLACES</td> <td>± .---</td> <td>± .---</td> </tr> <tr> <td>1 PLACE</td> <td>± .---</td> <td>± .---</td> </tr> </tbody> </table> ANGULAR ± 1 °		mm	INCH	4 PLACES	± .---	± .---	3 PLACES	± .---	± .---	2 PLACES	± .---	± .---	1 PLACE	± .---	± .---	<b>DIMENSION STYLE</b> <b>MM/IN</b> DRAWN BY DATE SERNST 2006/02/13 CHECKED BY DATE DSZILAGYI 2006/03/07 APPROVED BY DATE SMIGO 2006/03/07	<b>SCALE</b> <b>2.5:1</b> <b>DESIGN UNITS</b> <b>METRIC</b>	<b>THIRD ANGLE PROJECTION</b>	<b>TITLE</b> <b>UNIVERSAL ADAPTER</b>
		mm	INCH																		
	4 PLACES	± .---	± .---																		
	3 PLACES	± .---	± .---																		
2 PLACES	± .---	± .---																			
1 PLACE	± .---	± .---																			
<b>DRAFT WHERE APPLICABLE MUST REMAIN WITHIN DIMENSIONS</b>		<b>MATERIAL NO.</b> <b>SEE TABLE</b>	<b>DOCUMENT NO.</b> <b>SD-106154-002</b>	<b>SHEET NO.</b> <b>3 OF 10</b>	<b>MOLEX INCORPORATED</b>																
<b>THIS DRAWING CONTAINS INFORMATION THAT IS PROPRIETARY TO MOLEX INCORPORATED AND SHOULD NOT BE USED WITHOUT WRITTEN PERMISSION</b>																					
<b>SIZE B</b>																					

9

8

7

6

5

4

3

2

1

10

9

8

7

6

5

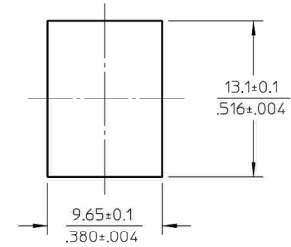
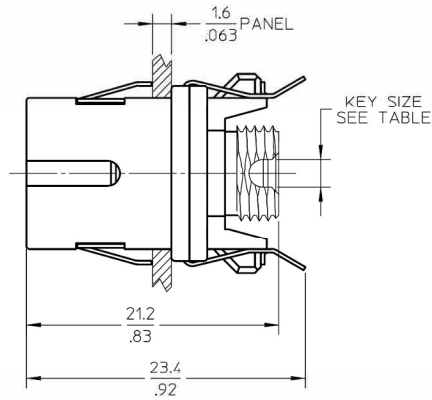
4

3

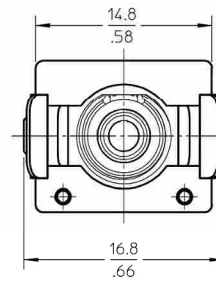
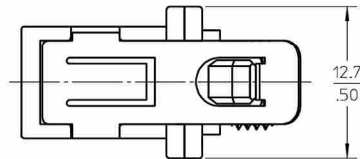
2

106154

ADAPTER P/N	STYLE	TYPE	SLEEVE MAT'L	MODULE COLOR	KEY SIZE (mm)
1061541110	SC-FC	SINGLE MODE	ZIRCONIA	BLUE	2.3
1061541115	SC-FC/APC			GREEN	2
1061541111	SC-FC	MULTIMODE	PHOSPHOR BRONZE	BEIGE	2.3



RECOMMENDED MOUNTING CUTOUT  
(1.6mm THICK PANEL)



## NOTES:

- ALL DIMENSIONS ARE FOR REFERENCE ONLY.
- PACKAGING: ADAPTERS AND DUSTCAPS ARE PACKED IN A PLASTIC TRAY.

<b>ENTER DESCRIPTION</b> EC NO: MF2008-0308 DRW/K: PEVZNER CHKD: 2008/02/07 APPR: LGUMIN 2008/02/14	<b>QUALITY SYMBOLS</b> ▽=0 ▽=0	<b>GENERAL TOLERANCES (UNLESS SPECIFIED)</b>		<b>DIMENSION STYLE</b> <b>MM/IN</b>	<b>SCALE</b> <b>2.5:1</b>	<b>DESIGN UNITS</b> <b>METRIC</b>	<b>THIRD ANGLE PROJECTION</b>
		4 PLACES ± --- ± --- 3 PLACES ± --- ± --- 2 PLACES ± --- ± --- 1 PLACE ± --- ± ---	mm    INCH	DRAWN BY    DATE SERNST    2006/02/13	TITLE <b>UNIVERSAL ADAPTER</b>		
		ANGULAR ± 1 °	DRAFT WHERE APPLICABLE MUST REMAIN WITHIN DIMENSIONS	CHECKED BY    DATE DSZ ILAGYI    2006/03/07	APPROVED BY    DATE SMIGO    2006/03/07		
		<b>A3</b>	<b>SIZE</b> <b>B</b>	MATERIAL NO. <b>SEE TABLE</b>	DOCUMENT NO. <b>SD-106154-002</b>	SHEET NO. <b>4 OF 10</b>	

9

8

7

6

5

4

3

2

1

10

9

8

7

6

5

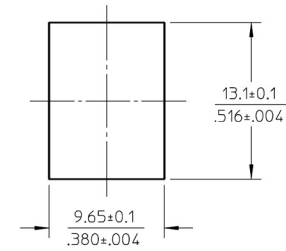
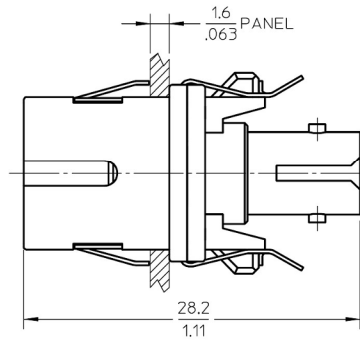
4

3

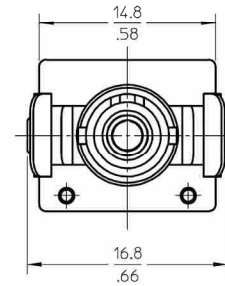
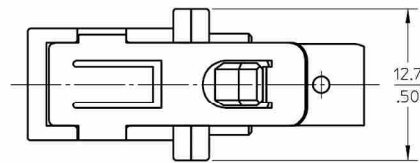
2

106154

ADAPTER P/N	STYLE	TYPE	SLEEVE MAT'L
1061541120	SC-ST	SINGLE MODE	ZIRCONIA
1061541121		MULTIMODE	PHOS BRONZE



RECOMMENDED MOUNTING CUTOUT  
(1.6mm THICK PANEL)



## NOTES:

- ALL DIMENSIONS ARE FOR REFERENCE ONLY.
- PACKAGING: ADAPTERS AND DUSTCAPS ARE PACKED IN A PLASTIC TRAY.

<b>ENTER DESCRIPTION</b> IEC NO: MF2008-0308 2008/02/07 DRWN:KPEVZNER 2008/02/07 CHKD: 2008/02/07 APPR: IJUMIN 2008/02/14	QUALITY SYMBOLS	GENERAL TOLERANCES (UNLESS SPECIFIED)		DIMENSION STYLE	SCALE	DESIGN UNITS	THIRD ANGLE PROJECTION
	$\nabla=0$ $\sphericalangle=0$	4 PLACES	mm	INCH	MM/IN	2.5:1	METRIC
		3 PLACES	± ---	± ---			
		2 PLACES	± ---	± ---			
	1 PLACE	± ---	± ---				
		ANGULAR ± 1 °					
		DRAFT WHERE APPLICABLE MUST REMAIN WITHIN DIMENSIONS					
				MATERIAL NO.	DOCUMENT NO.		SHEET NO.
				SEE TABLE	SD-106154-002		5 OF 10
				THIS DRAWING CONTAINS INFORMATION THAT IS PROPRIETARY TO MOLEX INCORPORATED AND SHOULD NOT BE USED WITHOUT WRITTEN PERMISSION			

9

8

7

6

5

4

3

2

1

10

9

8

7

6

5

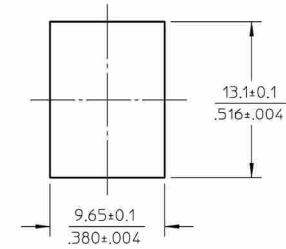
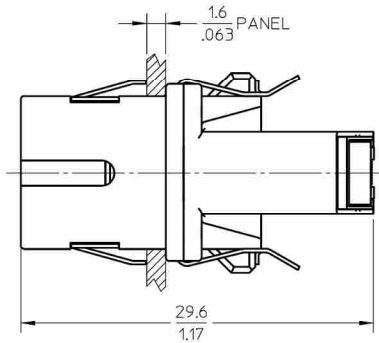
4

3

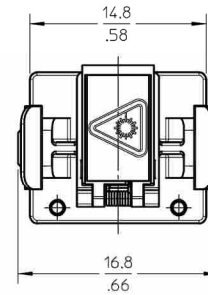
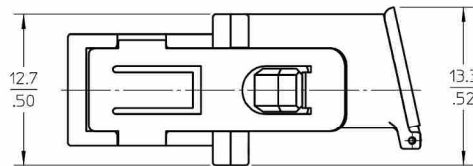
2

106154

ADAPTER P/N	STYLE	TYPE	SLEEVE MAT'L
1061541130	SC-LC	SM OR MM	NICKEL



RECOMMENDED MOUNTING CUTOUT  
(1.6mm THICK PANEL)



## NOTES:

- ALL DIMENSIONS ARE FOR REFERENCE ONLY.
- PACKAGING: ADAPTERS AND DUSTCAPS ARE PACKED IN A PLASTIC TRAY.

ENTER DESCRIPTION	DATE	DESCRIPTION
IEC NO: MF2008-0308	2008/02/07	
DRW:KPEVZNER	2008/02/07	
CHKD:		
APPR: IJUMIN	2008/02/14	
A3		

## QUALITY SYMBOLS

▽=0

▽=0

## GENERAL TOLERANCES (UNLESS SPECIFIED)

	mm	INCH
4 PLACES	± .004	± .0015
3 PLACES	± .005	± .002
2 PLACES	± .007	± .0028
1 PLACE	± .010	± .004
ANGULAR ± 1 °		

DRAFT WHERE APPLICABLE  
MUST REMAIN  
WITHIN DIMENSIONS

## DIMENSION STYLE

MM/IN

DRAWN BY	DATE
SERNST	2006/02/13
CHECKED BY	DATE
DSZILAGYI	2006/03/07
APPROVED BY	DATE
SMIGO	2006/03/07

MATERIAL NO.

SEE TABLE

SIZE B

## SCALE

2.5:1

## DESIGN UNITS

METRIC



THIRD ANGLE PROJECTION

TITLE  
UNIVERSAL ADAPTER

MOLEX INCORPORATED

DOCUMENT NO.

SD-106154-002

SHEET NO.

6 OF 10

9

8

7

6

5

4

3

2

1

10

9

8

7

6

5

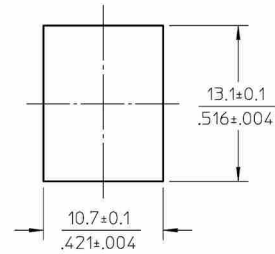
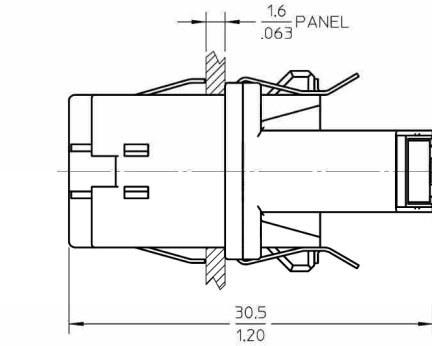
4

3

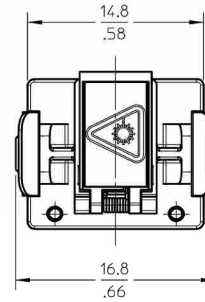
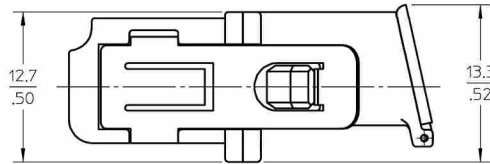
2

106154

ADAPTER P/N	STYLE	TYPE	SLEEVE MAT'L	MODULE COLOR
1061541630	LC-LC	SINGLE MODE	ZIRCONIA	BLUE
1061541635	LC-LC/APC			GREEN
1061541631	LC-LC	MULTIMODE	PHOSPHOR BRONZE	BEIGE



RECOMMENDED MOUNTING CUTOUT  
(1.6mm THICK PANEL)



## NOTES:

- ALL DIMENSIONS ARE FOR REFERENCE ONLY.
- PACKAGING: ADAPTERS AND DUSTCAPS ARE PACKED IN A PLASTIC TRAY.

ENTER DESCRIPTION	EC NO:	DATE	DRW/KP/REVZNR	CHKD:	DATE	APPR:	DATE
A3	MF2008-0308	2008/02/07			2008/02/07	IGUMIN	2008/02/14

QUALITY SYMBOLS	DESCRIPTION
▽=0	
▽=0	

GENERAL TOLERANCES (UNLESS SPECIFIED)	
mm	INCH
4 PLACES ± .---	± .---
3 PLACES ± .---	± .---
2 PLACES ± .---	± .---
1 PLACE ± .---	± .---
ANGULAR ± 1 °	

DIMENSION STYLE	
MM/IN	
DRAWN BY	DATE
SERNST	2006/02/13
CHECKED BY	DATE
DSZILAGYI	2006/03/07
APPROVED BY	DATE
SMIGO	2006/03/07
MATERIAL NO.	
SEE TABLE	

SCALE	DESIGN UNITS	THIRD ANGLE PROJECTION	
2.5:1	METRIC		
TITLE			
UNIVERSAL ADAPTER			
DRAWN BY			
SERNST			
CHECKED BY			
DSZILAGYI			
APPROVED BY			
SMIGO			
MATERIAL NO.		DOCUMENT NO.	
SEE TABLE		SD-106154-002	
THIS DRAWING CONTAINS INFORMATION THAT IS PROPRIETARY TO MOLEX INCORPORATED AND SHOULD NOT BE USED WITHOUT WRITTEN PERMISSION			SHEET NO.
7 OF 10			

9

8

7

6

5

4

3

2

1

10

9

8

7

6

5

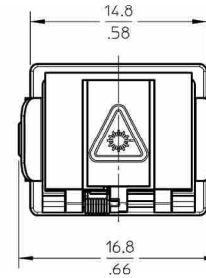
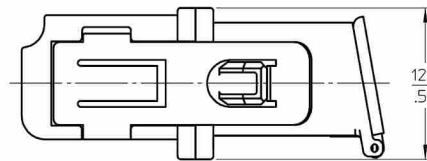
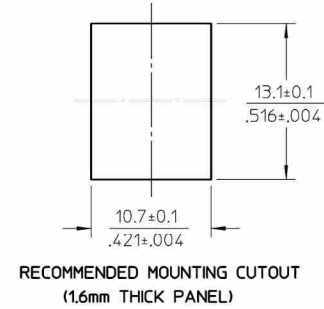
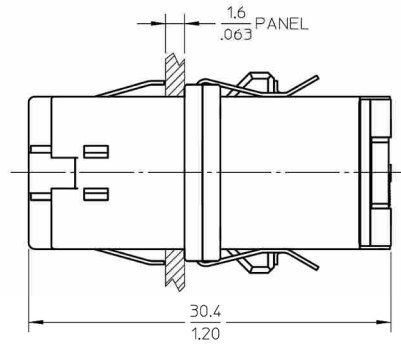
4

3

2

106154

ADAPTER P/N	STYLE	TYPE	SLEEVE MAT'L
1061541600	LC-SC	SM OR MM	NICKEL



## NOTES:

- ALL DIMENSIONS ARE FOR REFERENCE ONLY.
- PACKAGING: ADAPTERS AND DUSTCAPS ARE PACKED IN A PLASTIC TRAY.

ENTER DESCRIPTION	DESCRIPTION
IEC NO: MF2008-0308	2008/02/07
DRW/KPEVZNER	2008/02/07
CHKD:	
APPR: IJUMIN	2008/02/14
REV	
A3	

QUALITY SYMBOLS	
▽=0	
▽=0	

GENERAL TOLERANCES (UNLESS SPECIFIED)	
4 PLACES	± .004
3 PLACES	± .005
2 PLACES	± .006
1 PLACE	± .007
ANGULAR ± 1 °	
DRAFT WHERE APPLICABLE MUST REMAIN WITHIN DIMENSIONS	

DIMENSION STYLE	
MM/IN	
DRAWN BY	DATE
SERNST	2006/02/13
CHECKED BY	DATE
DSZILAGYI	2006/03/07
APPROVED BY	DATE
SMIGO	2006/03/07
MATERIAL NO.	
SEE TABLE	
SIZE	B

SCALE	DESIGN UNITS	THIRD ANGLE PROJECTION	
2.5:1	METRIC		
TITLE			
UNIVERSAL ADAPTER			
MATERIAL NO.			
SEE TABLE			
DOCUMENT NO.			
SD-106154-002			
SHEET NO.			8 OF 10
THIS DRAWING CONTAINS INFORMATION THAT IS PROPRIETARY TO MOLEX INCORPORATED AND SHOULD NOT BE USED WITHOUT WRITTEN PERMISSION			

9

8

7

6

5

4

3

2

1



10

9

8

7

6

5

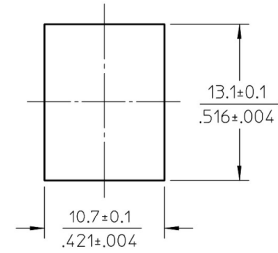
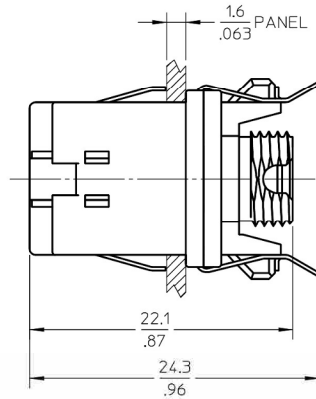
4

3

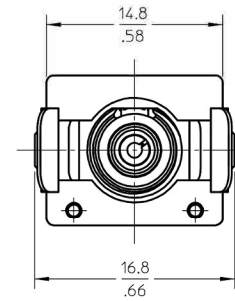
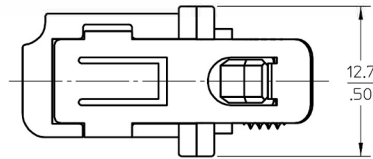
2

106154

ADAPTER P/N	STYLE	TYPE	SLEEVE MAT'L
1061541610	LC-FC	SM OR MM	NICKEL



RECOMMENDED MOUNTING CUTOUT  
(1.6mm THICK PANEL)



NOTES:

- ALL DIMENSIONS ARE FOR REFERENCE ONLY.
- PACKAGING: ADAPTERS AND DUSTCAPS ARE PACKED IN A PLASTIC TRAY.

<b>ENTER DESCRIPTION</b> IEC NO: MF2008-0308 2008/02/07 DRW:KPEVZNER 2008/02/07 CHKD: 2008/02/07 APPR: IGUMIN 2008/02/14 <b>A3</b>	<b>QUALITY SYMBOLS</b> ▽=0 ▽=0	<b>GENERAL TOLERANCES (UNLESS SPECIFIED)</b>	<b>DIMENSION STYLE</b> <b>MM/IN</b>	<b>SCALE</b> <b>2.5:1</b>	<b>DESIGN UNITS</b> <b>METRIC</b>	<b>THIRD ANGLE PROJECTION</b>																																	
		<table border="1"> <thead> <tr> <th></th> <th>mm</th> <th>INCH</th> </tr> </thead> <tbody> <tr> <td>4 PLACES</td> <td>± ---</td> <td>± ---</td> </tr> <tr> <td>3 PLACES</td> <td>± ---</td> <td>± ---</td> </tr> <tr> <td>2 PLACES</td> <td>± ---</td> <td>± ---</td> </tr> <tr> <td>1 PLACE</td> <td>± ---</td> <td>± ---</td> </tr> <tr> <td colspan="3">ANGULAR ± 1 °</td> </tr> </tbody> </table>		mm	INCH	4 PLACES	± ---	± ---	3 PLACES	± ---	± ---	2 PLACES	± ---	± ---	1 PLACE	± ---	± ---	ANGULAR ± 1 °			<table border="1"> <thead> <tr> <th>DRAWN BY</th> <th>DATE</th> <th>TITLE</th> </tr> </thead> <tbody> <tr> <td>SERNST</td> <td>2006/02/13</td> <td rowspan="3">UNIVERSAL ADAPTER</td> </tr> <tr> <th>CHECKED BY</th> <th>DATE</th> </tr> <tr> <td>DSZILAGYI</td> <td>2006/03/07</td> </tr> <tr> <th>APPROVED BY</th> <th>DATE</th> <td rowspan="2"> <b>MOLEX INCORPORATED</b> </td> </tr> <tr> <td>SMIGO</td> <td>2006/03/07</td> </tr> </tbody> </table>	DRAWN BY	DATE	TITLE	SERNST	2006/02/13	UNIVERSAL ADAPTER	CHECKED BY	DATE	DSZILAGYI	2006/03/07	APPROVED BY	DATE	<b>MOLEX INCORPORATED</b>	SMIGO	2006/03/07	<b>MATERIAL NO.</b> <b>SEE TABLE</b>	<b>DOCUMENT NO.</b> <b>SD-106154-002</b>	<b>SHEET NO.</b> <b>9 OF 10</b>
		mm	INCH																																				
	4 PLACES	± ---	± ---																																				
3 PLACES	± ---	± ---																																					
2 PLACES	± ---	± ---																																					
1 PLACE	± ---	± ---																																					
ANGULAR ± 1 °																																							
DRAWN BY	DATE	TITLE																																					
SERNST	2006/02/13	UNIVERSAL ADAPTER																																					
CHECKED BY	DATE																																						
DSZILAGYI	2006/03/07																																						
APPROVED BY	DATE	<b>MOLEX INCORPORATED</b>																																					
SMIGO	2006/03/07																																						
	<b>DRAFT WHERE APPLICABLE MUST REMAIN WITHIN DIMENSIONS</b>	<b>SIZE</b> <b>B</b>	<b>THIS DRAWING CONTAINS INFORMATION THAT IS PROPRIETARY TO MOLEX INCORPORATED AND SHOULD NOT BE USED WITHOUT WRITTEN PERMISSION</b>																																				

9

8

7

6

5

4

3

2

1

10

9

8

7

6

5

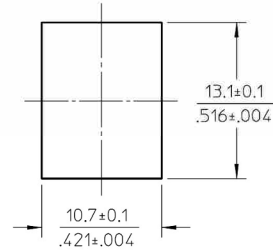
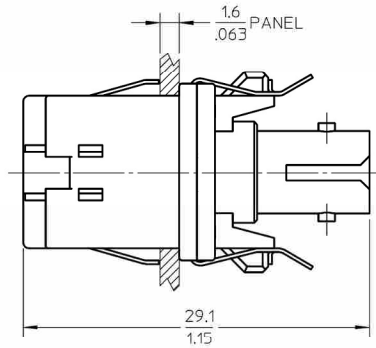
4

3

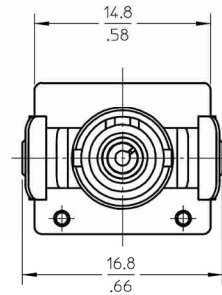
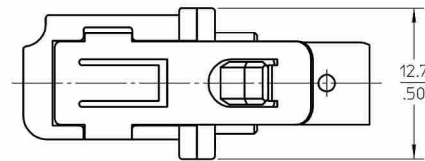
2

106154

ADAPTER P/N	STYLE	TYPE	SLEEVE MAT'L
1061541620	LC-ST	SM OR MM	NICKEL



RECOMMENDED MOUNTING CUTOUT  
(1.6mm THICK PANEL)



NOTES:

1. ALL DIMENSIONS ARE FOR REFERENCE ONLY.
2. PACKAGING: ADAPTERS AND DUSTCAPS ARE PACKED IN A PLASTIC TRAY.

<b>ENTER DESCRIPTION</b> IEC NO: MF2008-0308 2008/02/07 DRW:KPEVZNER 2008/02/07 CHKD: 2008/02/07 APPR: IGUMIN 2008/02/14 A3	<b>QUALITY SYMBOLS</b> ▽=0 ▽=0	<b>GENERAL TOLERANCES (UNLESS SPECIFIED)</b> <table border="1"> <tr> <th></th> <th>mm</th> <th>INCH</th> </tr> <tr> <td>4 PLACES</td> <td>± .---</td> <td>± .---</td> </tr> <tr> <td>3 PLACES</td> <td>± .---</td> <td>± .---</td> </tr> <tr> <td>2 PLACES</td> <td>± .---</td> <td>± .---</td> </tr> <tr> <td>1 PLACE</td> <td>± .---</td> <td>± .---</td> </tr> </table>		mm	INCH	4 PLACES	± .---	± .---	3 PLACES	± .---	± .---	2 PLACES	± .---	± .---	1 PLACE	± .---	± .---	<b>DIMENSION STYLE</b> MM/IN	<b>SCALE</b> 2.5:1	<b>DESIGN UNITS</b> METRIC	THIRD ANGLE PROJECTION						
		mm	INCH																								
	4 PLACES	± .---	± .---																								
	3 PLACES	± .---	± .---																								
2 PLACES	± .---	± .---																									
1 PLACE	± .---	± .---																									
<b>DRAFT WHERE APPLICABLE MUST REMAIN WITHIN DIMENSIONS</b>		<table border="1"> <tr> <th>DRAWN BY</th> <th>DATE</th> <th>TITLE</th> </tr> <tr> <td>SERNST</td> <td>2006/02/13</td> <td>UNIVERSAL ADAPTER</td> </tr> <tr> <th>CHECKED BY</th> <th>DATE</th> <td></td> </tr> <tr> <td>DSZILAGYI</td> <td>2006/03/07</td> <td></td> </tr> <tr> <th>APPROVED BY</th> <th>DATE</th> <td></td> </tr> <tr> <td>SMIGO</td> <td>2006/03/07</td> <td></td> </tr> </table>	DRAWN BY	DATE	TITLE	SERNST	2006/02/13	UNIVERSAL ADAPTER	CHECKED BY	DATE		DSZILAGYI	2006/03/07		APPROVED BY	DATE		SMIGO	2006/03/07		<table border="1"> <tr> <th>MATERIAL NO.</th> <th>DOCUMENT NO.</th> <th>SHEET NO.</th> </tr> <tr> <td>SEE TABLE</td> <td>SD-106154-002</td> <td>10 OF 10</td> </tr> </table>	MATERIAL NO.	DOCUMENT NO.	SHEET NO.	SEE TABLE	SD-106154-002	10 OF 10
DRAWN BY	DATE	TITLE																									
SERNST	2006/02/13	UNIVERSAL ADAPTER																									
CHECKED BY	DATE																										
DSZILAGYI	2006/03/07																										
APPROVED BY	DATE																										
SMIGO	2006/03/07																										
MATERIAL NO.	DOCUMENT NO.	SHEET NO.																									
SEE TABLE	SD-106154-002	10 OF 10																									
THIS DRAWING CONTAINS INFORMATION THAT IS PROPRIETARY TO MOLEX INCORPORATED AND SHOULD NOT BE USED WITHOUT WRITTEN PERMISSION																											

9

8

7

6

5

4

3

2

1