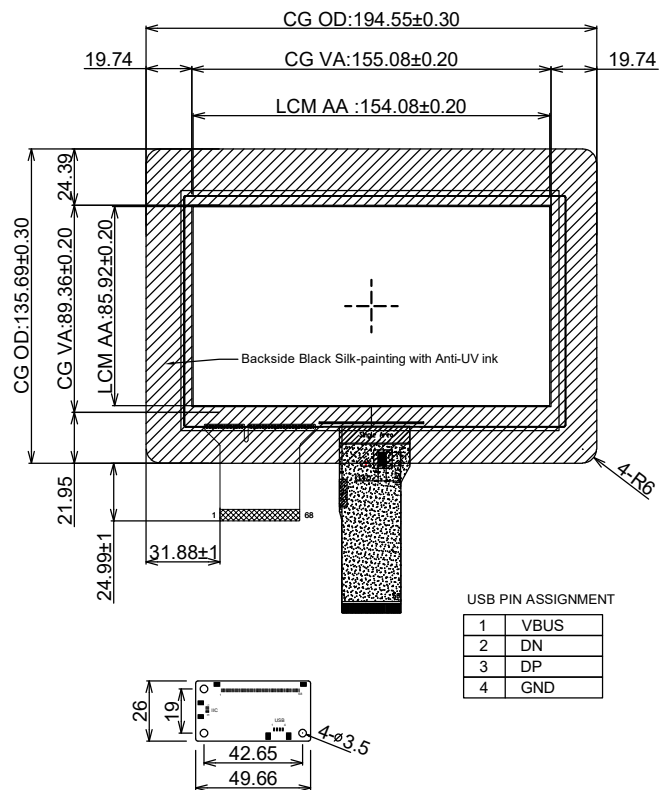
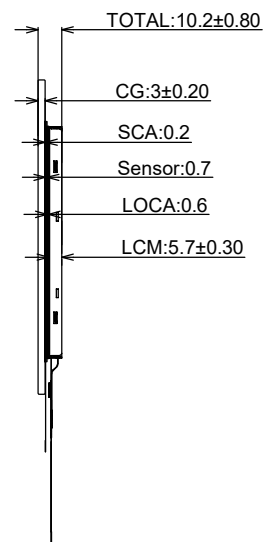


Ver.	modify NO.	1	Details	2	Area	P.I.C	Date

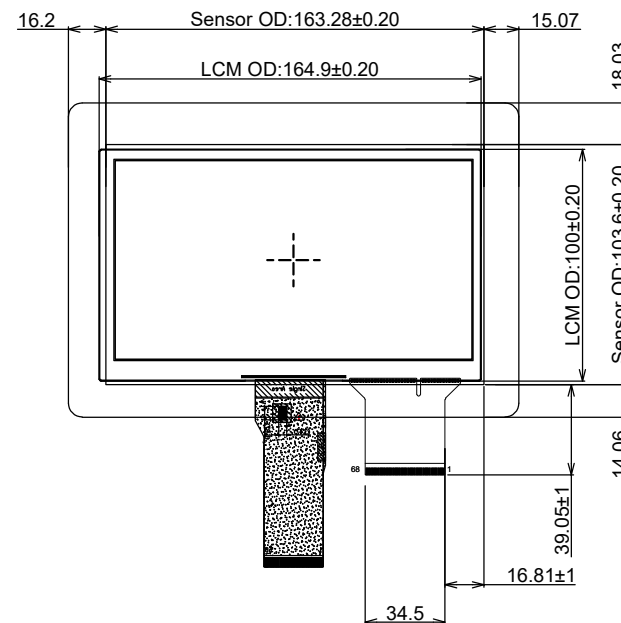
TOP VIEW



SIDE VIEW



BACK VIEW



Technical Datasheet:

1. Structure: TP+LCM Optical Bonding
2. Cover Glass: 3mm Tempered Glass
3. LCD: P0700WVN1MA00
4. TP Controller: BTP-TPM-CTR-ILI-070B-SN34 COB
5. TP Controller IC: ILI2511
6. Surface Hardness: ≥6H
7. Light Transmittance: ≥85%
8. Working Temperature: -20°C~+70°C, ≤85%RH;
9. Storage Temperature: -30°C~+80°C, ≤85%RH;
10. Unmarked Tolerance: ±0.5mm
11. All materials used conform to RoHS standards

Part No.	BTP-TPM-P0-7-ILI-SN34				
Product Name: 7inch Touch Display	Drawing No.	PM070260509SN34			
	Project Code.	PM070SN34			
Business Unit: SNT-BTP	Period Mark	A	View Angle	Ratio	
				1:1	
Workmanship:	Jingmao.Ding	BOM Code	Page 1	Total 1 Page	
Standardization:	Link.Chen	Product Series	BTP-TPM		
Released by:	Jerry.Liu				

