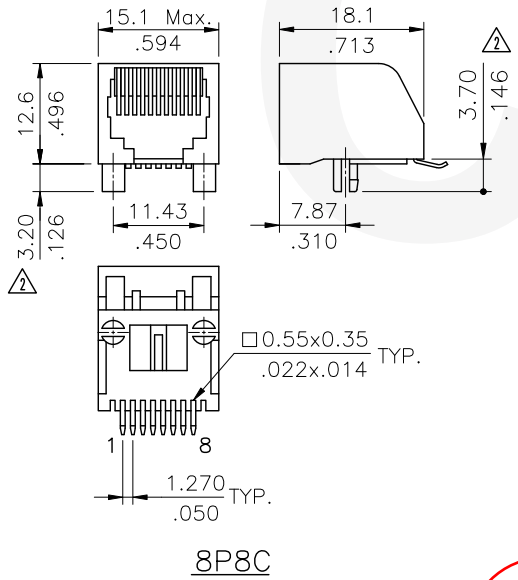
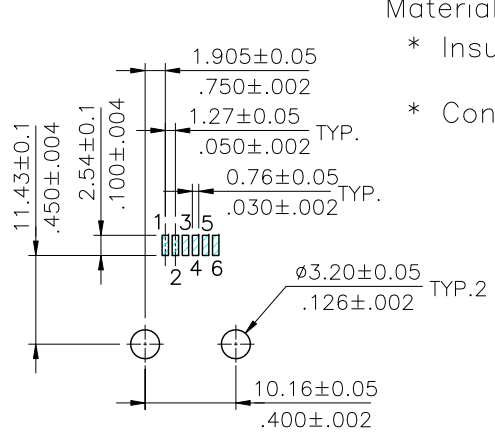


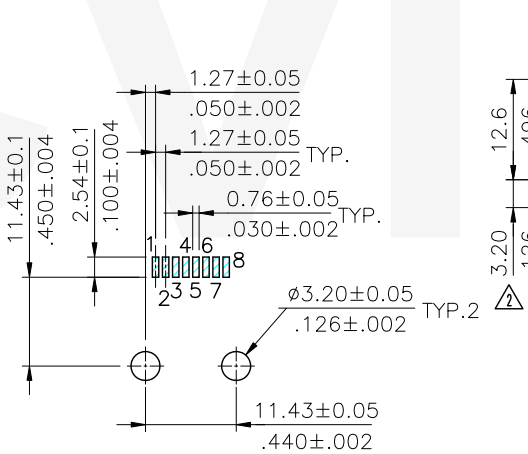
6P6C



8P8C



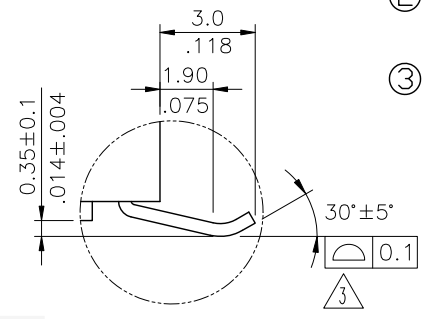
Solder Pad Pattern



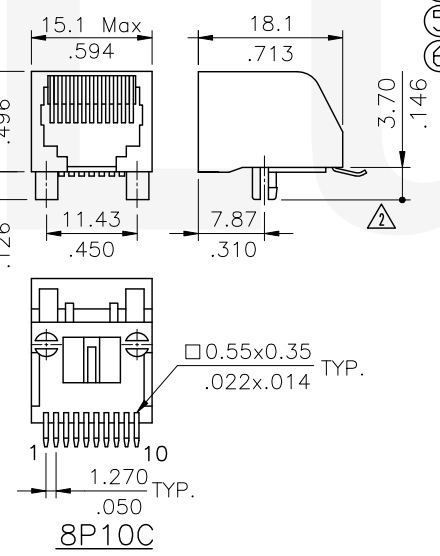
Solder Pad Pattern

Materials :

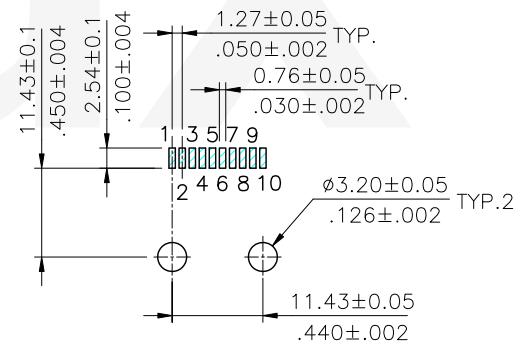
- * Insulator : Glass filled Polyester UL 94V-0
- * Contact : Phosphor Bronze



Detail "A"



8P10C



Solder Pad Pattern

Ordering Code

CJ31 ** * 1 1 SM
① ② ③ ④ ⑤ ⑥

- ① Series No.
- ② Contacts: 64=6P4C, 66=6P6C, 88=8P8C, AA=8P10C
- ③ Plating option:
A= Selective 0.03μm(1.2μ") Gold flash plated over 1.27μm(50μ") Nickel
B= Selective 0.38μm(15μ") Gold plated over 1.27μm(50μ") Nickel
C= Selective 0.76μm(30μ") Gold plated over 1.27μm(50μ") Nickel
E= Selective 1.27μm(50μ") Gold plated over 1.27μm(50μ") Nickel
- ④ 1= Single port
- ⑤ Insulator Color: 1= Black
- ⑥ Other options: SM= SMT Type

Lead Free Process RoHS compliant

CVILUX CORP
2021.10.07
ISSUED

④						DATE	UNIT: mm / inch	TITLE: BOARD MOUNT LOW PROFILE SMT TYPE TELEPHONE JACK
③	Karen	10/2-21'	ECNT121223/ECRT121060	DRAWN BY:	Karen	10/4-21'	TOLERANCE UNLESS OTHERWISE SPECIFIED	MATERIAL:
②	Karen	3/02-09'	ECN09068/ECR09007-0	ENGINEER:	Sun	10/6-21'	.X ± 0.30/.012 .X' ± 1'	
①	SUN	5/21/04'	ECN04205/ECR04047-0	CHECKED BY:	Eisley	10/7-21'	.XX ± 0.20/.008 .X' ±	
SYM	NAME	DATE	REVISIONS	APPROVED BY:	Eisley	10/7-21'	.XXX ± 0.08/.003 .XX' ±	

瀚荃股份有限公司 CviLux Corporation			
DRAWING NO.	CJ3103SH	PART NO.	CJ31***11SM
SCALE	1 / 1	SHEET	1 OF 1