

# KOE

## JDI Group

TENTATIVE

Kaohsiung Opto-Electronics Inc.

FOR MESSRS : \_\_\_\_\_

DATE : Jul. 9<sup>th</sup> ,2021

### TECHNICAL DATA

## TX27D200VM0AAB

### Contents

No.	ITEM	SHEET No.	PAGE
1	COVER	7B64PS 2701-TX27D200VM0AAB-1	1-1/1
2	RECORD OF REVISION	7B64PS 2702-TX27D200VM0AAB-1	2-1/1
3	GENERAL DATA	7B64PS 2703-TX27D200VM0AAB-1	3-1/1
4	ABSOLUTE MAXIMUM RATINGS	7B64PS 2704-TX27D200VM0AAB-1	4-1/1
5	ELECTRICAL CHARACTERISTICS	7B64PS 2705-TX27D200VM0AAB-1	5-1/2~2/2
6	OPTICAL CHARACTERISTICS	7B64PS 2706-TX27D200VM0AAB-1	6-1/2~2/2
7	BLOCK DIAGRAM	7B64PS 2707-TX27D200VM0AAB-1	7-1/1
8	RELIABILITY TESTS	7B64PS 2708-TX27D200VM0AAB-1	8-1/1
9	LCD INTERFACE	7B64PS 2709-TX27D200VM0AAB-1	9-1/10~10/10
10	OUTLINE DIMENSIONS	7B64PS 2710-TX27D200VM0AAB-1	10-1/2~2/2
11	APPEARANCE STANDARD	7B64PS 2711-TX27D200VM0AAB-1	11-1/3~3/3
12	PRECAUTIONS	7B64PS 2712-TX27D200VM0AAB-1	12-1/2~2/2
13	DESIGNATION OF LOT MARK	7B64PS 2713-TX27D200VM0AAB-1	13-1/1

ACCEPTED BY: \_\_\_\_\_

PROPOSED BY: Oblack Tsai

## 2. RECORD OF REVISION

DATE	SHEET No.	SUMMARY

### 3. GENERAL DATA

#### 3.1 DISPLAY FEATURES

This module is a 10.6" WXGA of 16:9 format amorphous silicon TFT. The pixel format is vertical stripe and sub pixels are arranged as R(red), G(green), B(blue) sequentially. This display is RoHS compliant, and COG (chip on glass) technology and LED backlight are applied on this display.

Part Name	TX27D200VM0AAB
Module Dimensions	250.0 (W) mm × 157.0 (H) mm × 8.9 (D) mm (Typ.)
LCD Active Area	231.36 (W)mm x 138.816(H)mm
Pixel Pitch	0.18075 (W) mm × 0.18075 (H) mm
Resolution	1280× 3 (RGB) (W) × 768 (H) dots
Color Pixel Arrangement	RGB Vertical Stripe
LCD Type	Transmissive Type, Normally Black
Display Type	Active Matrix
Number of Colors	262K (6-bit RGB) / 16.7M (8-bit RGB) Colors
Backlight	Light Emitting Diode (LED)
Weight	435g (typ)
Interface	LVDS ; 20pins
Power Supply Voltage	3.3V for LCD ; 12V for Backlight
Viewing Direction	Super Wide Version (In-Plane Switching)

## 4. ABSOLUTE MAXIMUM RATINGS

Item	Symbol	Min.	Max.	Unit	Remarks
Supply Voltage	V <sub>DD</sub>	-0.3	4.0	V	-
Input Voltage of Logic	V <sub>I</sub>	-0.3	4.0	V	Note 1
Operating Temperature	T <sub>op</sub>	-40	85	°C	Note 2
Storage Temperature	T <sub>st</sub>	-40	90	°C	Note 2
Backlight Input Voltage	V <sub>LED</sub>	-	13.2	V	-
Backlight Voltage for PWM	V <sub>PWM</sub>	-0.3	14	V	-
Backlight Voltage for EN	V <sub>EN</sub>	-0.3	14	V	-

Note 1: The rating is defined for the signal voltage of the interface such as CLK and pixel data pairs.

Note 2: The maximum rating is defined as above based on the chamber temperature, which might be different from ambient temperature after assembling the panel into the application. Moreover, some temperature-related phenomenon as below needed to be noticed:

- Background color, contrast and response time would be different in temperatures other than 25 °C.
- Operating under high temperature will shorten LED lifetime.

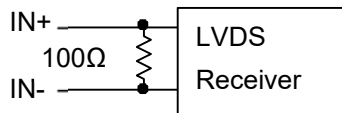
# 5. ELECTRICAL CHARACTERISTICS

## 5.1 LCD CHARACTERISTICS

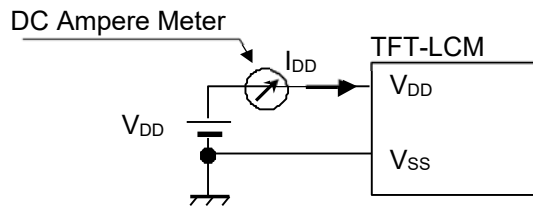
$T_a = 25\text{ }^\circ\text{C}$ ,  $V_{SS} = 0\text{V}$

Item	Symbol	Condition	Min.	Typ.	Max.	Unit	Remarks
Power Supply Voltage	$V_{DD}$	-	3.0	3.3	3.6	V	-
Differential Input Voltage for LVDS Receiver Threshold	$V_I$	$V_{IH}$	-	-	+100	mV	Note 1
		$V_{IL}$	-100	-	-		
Power Supply Current	$I_{DD}$	$V_{DD}-V_{SS} \approx 3.3\text{V}$	-	350	440	mA	Note 2,3
Frame Frequency	$f_{Frame}$	-	55	60	75	Hz	Note 4
CLK Frequency	$f_{CLK}$	-	50	68.3	80	MHz	
Logic Input Voltage	High	$V_{IH}$	$0.8 \times V_{DD}$	-	$V_{DD}$	V	MODE,SD
	Low	$V_{IL}$	0	-	$0.2 \times V_{DD}$	V	MODE,SD

Note 1: VCM 1.2V is common mode voltage of LVDS transmitter and receiver. The input terminal of LVDS transmitter is terminated with  $100\Omega$ .



Note 2: An all white check pattern is used when measuring  $I_{DD}$ .  $f_{Frame}$  is set to 60Hz.



Note 3: 2A fuse is applied in the module for  $I_{DD}$ . For display activation and protection purpose, power supply is recommended larger than 5A to start the display and break fuse once any short circuit occurred.

Note 4: For LVDS transmitter input.

## 5.2 BACKLIGHT CHARACTERISTICS

$T_a = 25\text{ }^\circ\text{C}$

Item	Symbol	Condition	Min.	Typ.	Max.	Unit	Remarks
LED Input Voltage	$V_{LED}$	Backlight Unit	10.8	12	13.2	V	Note 1
LED Forward Current (Dim Control)	$I_{LED}$	100% duty	-	690	860	mA	Note 2
		0% duty	-	6.0	-		
Backlight Enable	BLEN	Backlight Unit	1.5	-	5.5	V	
LED Lifetime	-	$I_{LED}=690\text{mA}$	-	100K	-	hrs	Note 3
PWM signal	BL_PWM	Backlight Unit	1.5	-	5.5	V	

Note 1: Fig. 5.1 shows the LED backlight circuit.

Note 2: Dimming function can be obtained by applying PWM signal from the display interface CN2. The recommended PWM signal is 1K ~ 10KHz with 3.3 V amplitude.

Note 3: The estimated lifetime is specified as the time to reduce 50% brightness by applying 690 mA at  $25\text{ }^\circ\text{C}$ .

Note 4: 3A fuse is applied in the module for  $I_{LED}$ . For display activation and protection purpose, power supply is recommended larger than 7.5A to start the display and break fuse once any short circuit occurred

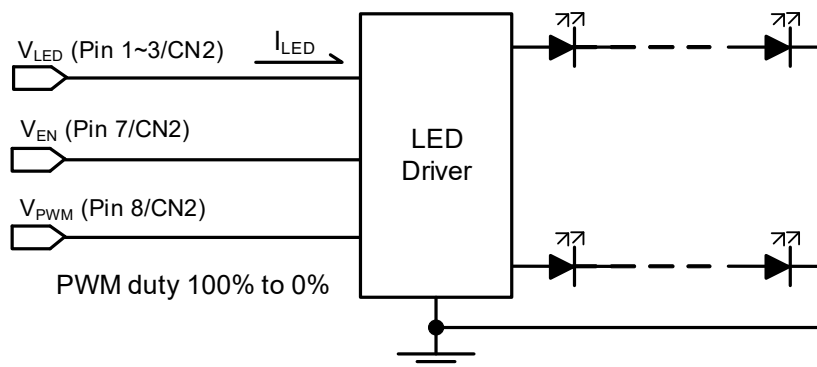


Fig 5.1

## 6. OPTICAL CHARACTERISTICS

The optical characteristics are measured based on the conditions as below:

- Supplying the signals and voltages defined in the section of electrical characteristics.
- The ambient temperature is 25 °C .
- In the dark room less than 100 lx, the equipment has been set for the measurements as shown in Fig 6.1.

$$T_a = 25\text{ }^{\circ}\text{C}, f_{Frame} = 60\text{ Hz}, V_{DD} = 3.3\text{V}$$

Item	Symbol	Condition	Min.	Typ.	Max.	Unit	Remarks	
Brightness of White	-	$I_{LED} = 690\text{mA}$ $\phi = 0^{\circ}, \theta = 0^{\circ}$	800	1000	-	$\text{cd/m}^2$	Note 1	
Brightness Uniformity	-		70	-	-	%	Note 2	
Contrast Ratio	CR		650	1000	-	-	Note 3	
Response Time	$T_r + T_f$	$\phi = 0^{\circ}, \theta = 0^{\circ}$	-	24	-	ms	Note 4	
NTSC Ratio	-	$\phi = 0^{\circ}, \theta = 0^{\circ}$	-	50	-	%	-	
Viewing Angle	$\theta_x$	$\phi = 0^{\circ}, CR \geq 10$	-	85	-	Degree	Note 5	
	$\theta_{x'}$	$\phi = 180^{\circ}, CR \geq 10$	-	85	-			
	$\theta_y$	$\phi = 90^{\circ}, CR \geq 10$	-	85	-			
	$\theta_{y'}$	$\phi = 270^{\circ}, CR \geq 10$	-	85	-			
Color Chromaticity	Red	X	$\phi = 0^{\circ}, \theta = 0^{\circ}$	0.54	0.59	0.64	-	Note 6
		Y		0.27	0.32	0.37		
	Green	X		0.28	0.33	0.38		
		Y		0.52	0.57	0.62		
	Blue	X		0.10	0.15	0.20		
		Y		0.07	0.12	0.17		
	White	X		0.26	0.31	0.36		
		Y		0.27	0.32	0.37		

Note 1: The brightness is measured from the center point of the panel, P5 in Fig. 6.2, for the typical value.

Note 2: The brightness uniformity is calculated by the equation as below:

$$\text{Brightness uniformity} = \frac{\text{Min. Brightness}}{\text{Max. Brightness}} \times 100\%$$

which is based on the brightness values of the 9 points measured by BM-5 as shown in Fig. 6.2.

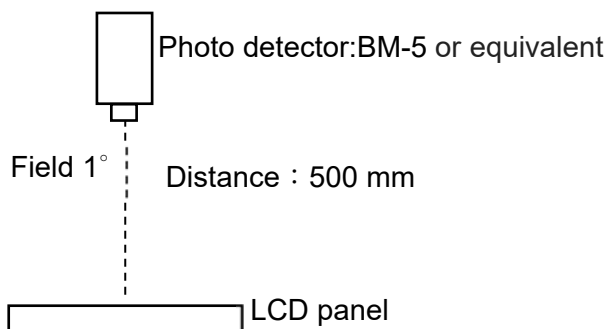


Fig. 6.1

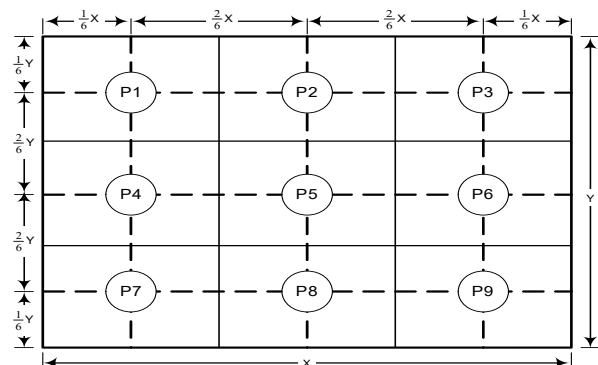


Fig. 6.2

Note 3: The Contrast ratio is measured from the center point of the panel, P5, and defined as the following equation:

$$CR = \frac{\text{Brightness of White}}{\text{Brightness of Black}}$$

Note 4: The definition of response time is shown in Fig. 6.3. The rising time is the period from 10% brightness to 90% brightness when the data is from black to white. Oppositely, Falling time is the period from 90% brightness falling to 10% brightness.

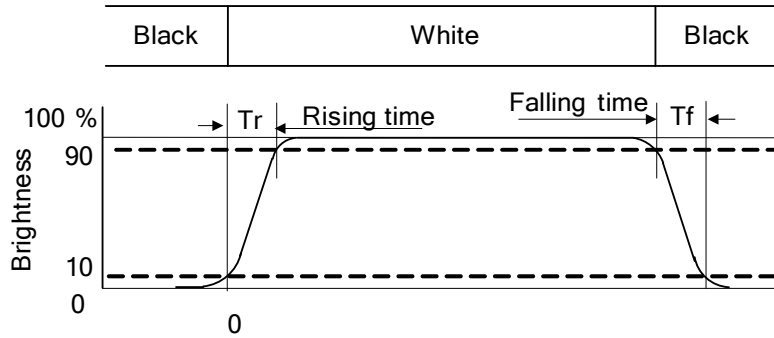


Fig. 6.3

Note 5: The definition of viewing angle is shown in Fig. 6.4. Angle  $\phi$  is used to represent viewing directions, for instance,  $\phi = 270^\circ$  means 6 o'clock, and  $\phi = 0^\circ$  means 3 o'clock. Moreover, angle  $\theta$  is used to represent viewing angles from axis Z toward plane XY.

The display is super wide viewing angle version, so that the best optical performance can be obtained from every viewing direction.

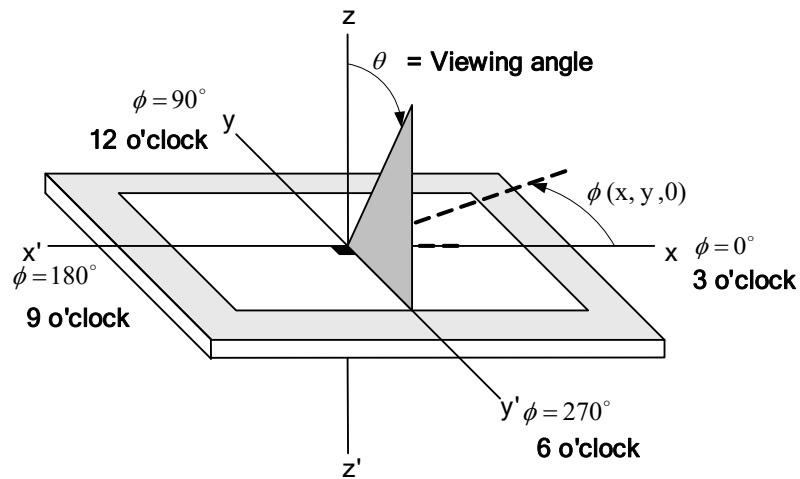
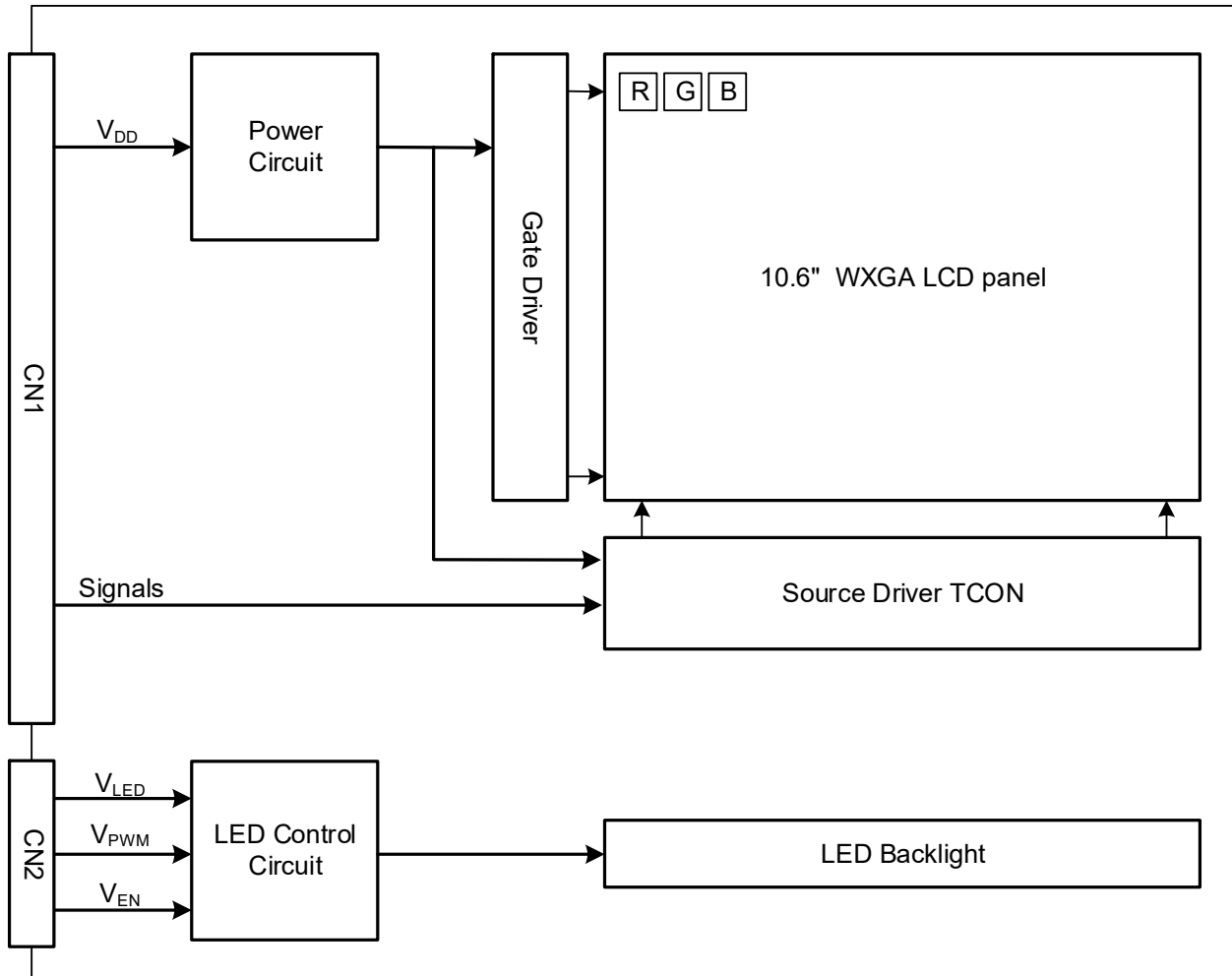


Fig. 6.4

Note 6: The color chromaticity is measured from the center point of the panel, P5, as shown in Fig. 6.2.

## 7. BLOCK DIAGRAM



Note :1 Signals are SD, CLK and pixel data pairs.

## 8. RELIABILITY TESTS

Test Item	Condition	
High Temperature	1) Operating 2) 85°C	500 hrs
Low Temperature	1) Operating 2) -40°C	500 hrs
High Temperature	1) Storage 2) 90°C	500 hrs
Low Temperature	1) Storage 2) -40°C	500 hrs
Heat Cycle	1) Operating 2) -40°C ~85°C 3) 3hrs~1hr~3hrs	500 hrs
Thermal Shock	1) Non-Operating 2) -40°C ↔ 85°C 3) 0.5 hr ↔ 0.5 hr	500 hrs
High Temperature & Humidity	1) Operating 2) 65°C & 85%RH 3) Without condensation	500 hrs (Note 3)
Vibration	1) Non-Operating 2) 10~200 Hz 3) 5G 4) X, Y, and Z directions	1 hrs for each direction
Mechanical Shock	1) Non-Operating 2) 10 ms 3) 80G 4) ±X, ±Y and ±Z directions	Once for each direction
ESD	1) Operating 2) Tip: 150 pF, 330 Ω 3) Air discharge for glass: ± 12KV 4) Contact discharge for metal frame: ± 15KV	1) Glass: 9 points 2) Metal frame: 8 points (Note4)

Note 1: Display functionalities are inspected under the conditions defined in the specification after the reliability tests.

Note 2: The display is not guaranteed for use in corrosive gas environments.

Note 3: Under the condition of high temperature & humidity, if the temperature is higher than 65°C, the humidity needs to be reduced as Fig. 8.1 shown.

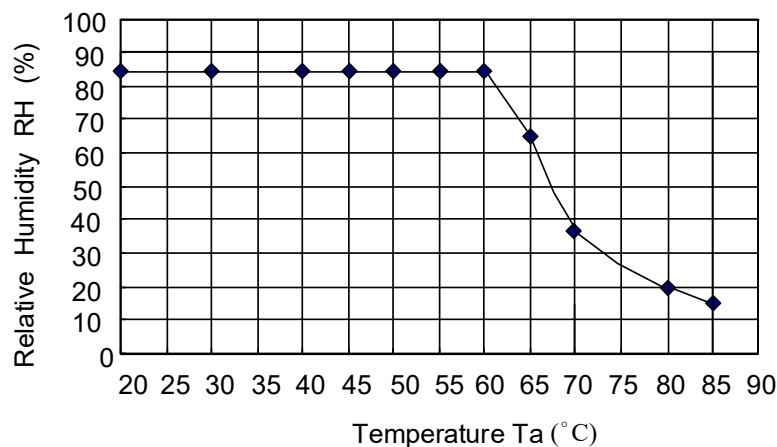


Fig. 8.1

Note 4: All pins of LCD interface (CN1) have been tested by ±100V contact discharge of ESD under non-operating condition.

# 9. LCD INTERFACE

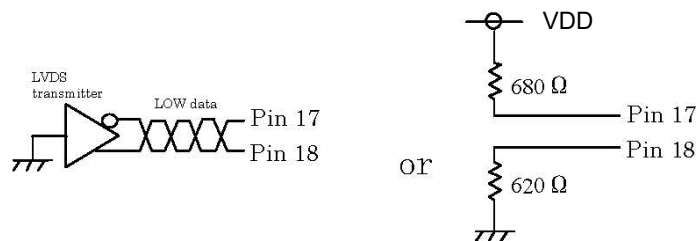
## 9.1 INTERFACE PIN CONNECTIONS

The display interface connector (CN1) is FI-SE20P-HFE made by JAE and pin assignment is as below:

Pin No.	Signal	Function (MODE = Low)		Function (MODE = High)
		6 bit input	8 bit input	8 bit input
1	V <sub>DD</sub>	+3.3V Power Supply for Logic		+3.3V Power Supply for Logic
2	V <sub>DD</sub>	+3.3V Power Supply for Logic		+3.3V Power Supply for Logic
3	V <sub>SS</sub>	GND		GND
4	V <sub>SS</sub>	GND		GND
5	Link 0-	R0~R5, G0	R2~R7, G2	R0~R5, G0
6	Link 0+	R0~R5, G0	R2~R7, G2	R0~R5, G0
7	V <sub>SS</sub>	GND		GND
8	Link 1-	G1~G5, B0~B1	G3~G7, B2~B3	G1~G5, B0~B1
9	Link 1+	G1~G5, B0~B1	G3~G7, B2~B3	G1~G5, B0~B1
10	V <sub>SS</sub>	GND		GND
11	Link 2-	B2~B5, DE	B4~B7, DE	B2~B5, DE
12	Link 2+	B2~B5, DE	B4~B7, DE	B2~B5, DE
13	V <sub>SS</sub>	GND		GND
14	CLK IN-	Pixel Clock -		Pixel Clock -
15	CLK IN+	Pixel Clock +		Pixel Clock +
16	V <sub>SS</sub>	GND		GND
17	Link 3-	See:*2)	R0~R1, G0~G1, B0~B1	R6~R7, G6~G7, B6~B7
18	Link 3+	See:*2)	R0~R1, G0~G1, B0~B1	R6~R7, G6~G7, B6~B7
19	MODE	Low= 6bit / 8bit		High= 8bit
20	SD	Scan direction control (Low, Default = Normal, High = Reverse)		

Note 1: Link n- and Link n+ (n=0, 1, 2, 3), CLK IN- and CLK IN+ should be wired by twist-pairs.

Note 2: Recommended wiring of Pin 17,18 (6 bit input)



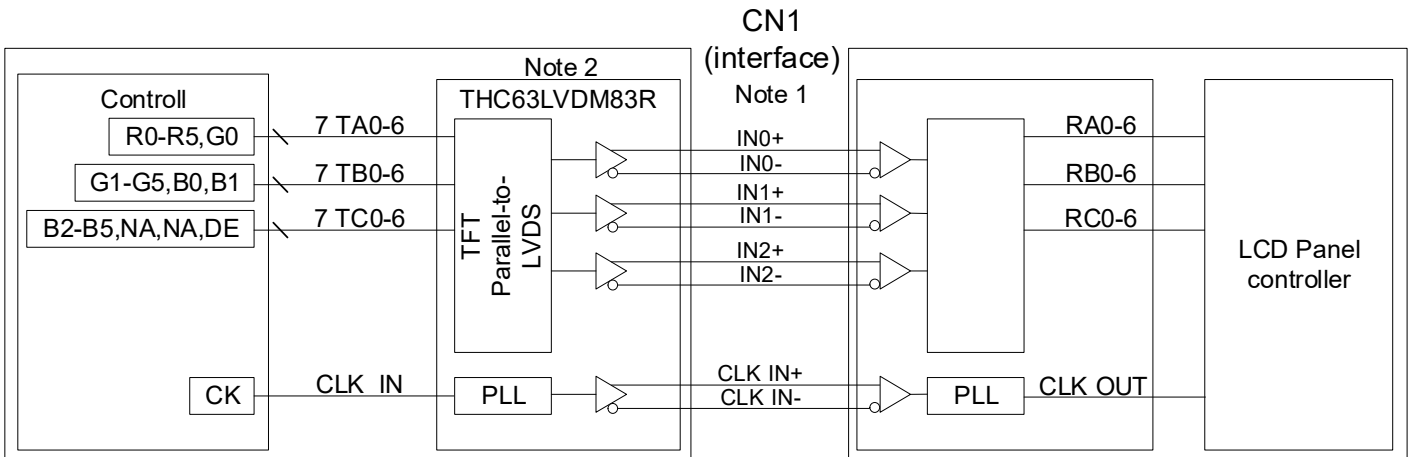
The backlight connector (CN2) is FI-S8P-HFE made by JAE, and pin assignment is as below:

Pin No.	Signal	Signal
1	V <sub>LED</sub>	Backlight Power Input
2	V <sub>LED</sub>	Backlight Power Input
3	V <sub>LED</sub>	Backlight Power Input
4	V <sub>SS</sub>	GND
5	V <sub>SS</sub>	GND
6	V <sub>SS</sub>	GND
7	V <sub>EN</sub>	Backlight Enable (High: ON / Low : OFF)
8	V <sub>PWM</sub>	Backlight Dimming (Note 1)

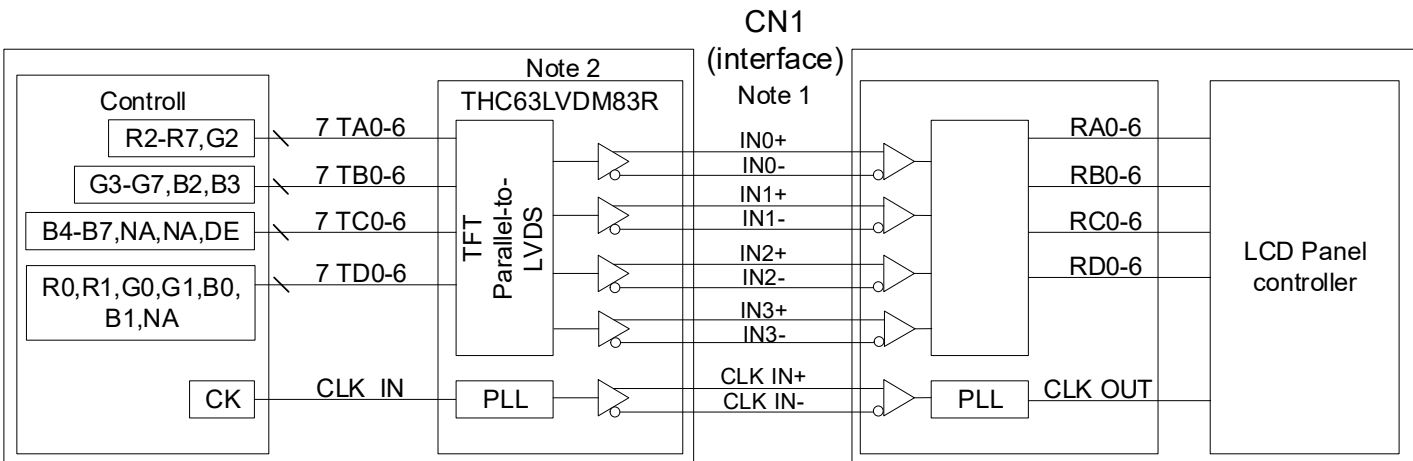
Note 1: Normal brightness: 100% PWM duty; Brightness control: 100% to 0% PWM duty.

## 9.2 LVDS INTERFACE

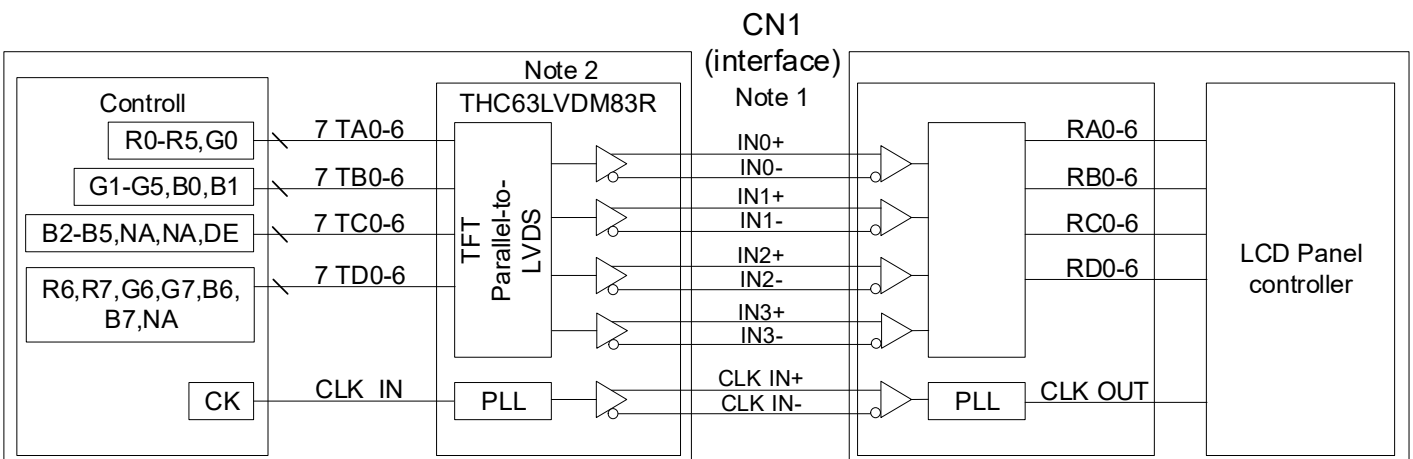
### 9.2.1 MODE = Low (6 bit input)



### 9.2.2 MODE = Low (8 bit input)



### 9.2.3 MODE = High (8 bit input)

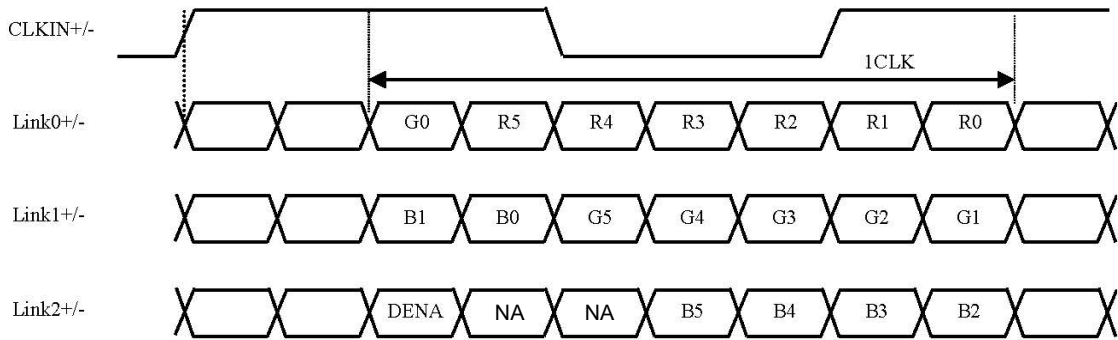


Note 1: LVDS cable impedance should be 100 ohms per signal line when each 2-lines (+, -) is used in differential mode.

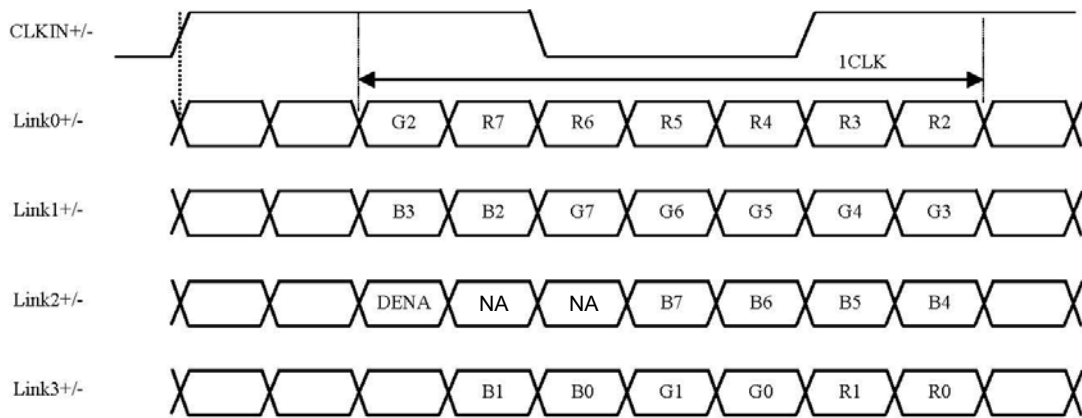
Note 2: The recommended transmitter, THC63LVDM83R, is made by Thine or equivalent, which is not contained in the module.

### 9.3 LVDS DATA FORMAT

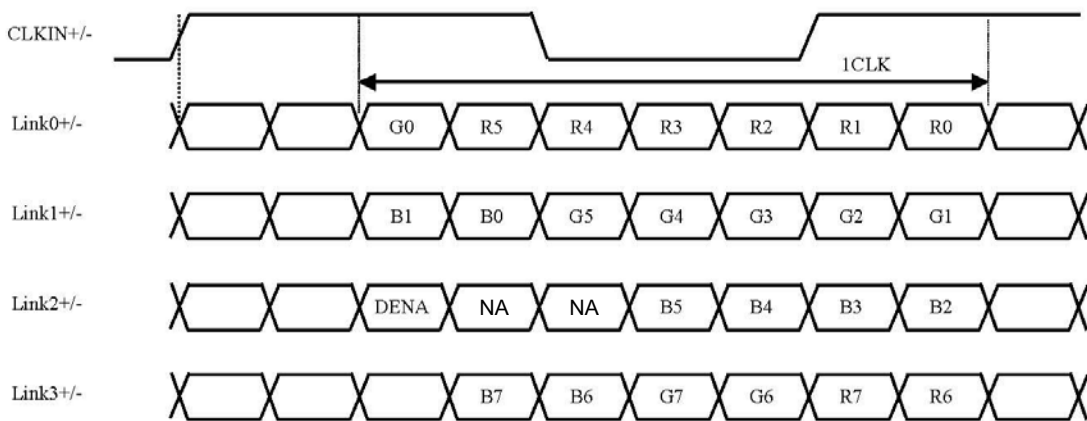
#### 9.3.1 MODE = Low (6 bit input)



#### 9.3.2 MODE = Low (8 bit input)



#### 9.3.3 MODE = High (8 bit input)



### 9.4 TIMING CHART

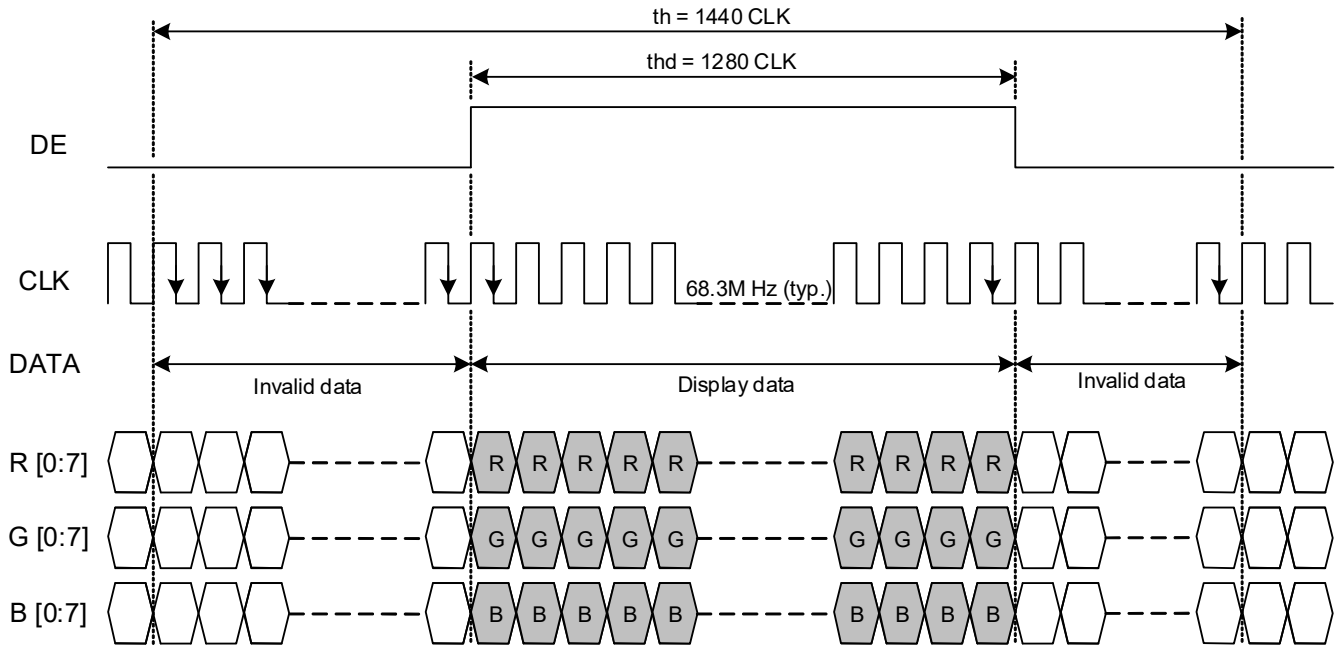


Fig. 9.1 Horizontal Timing

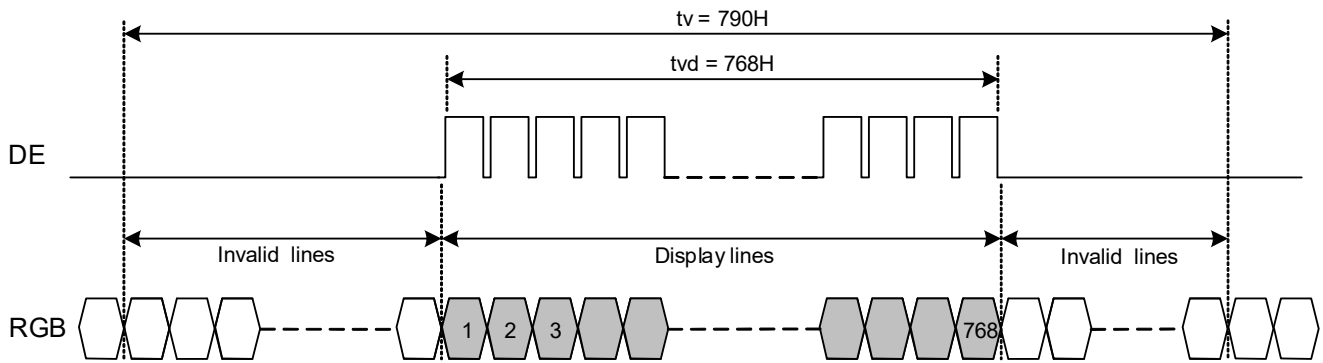


Fig. 9.2 Vertical Timing

## 9.5 TIME TABLE

The column of timing sets including minimum, typical, and maximum as below are based on the best optical performance, frame frequency = 60 Hz to define. If 60 Hz is not the aim to set, less than 75 Hz for vertical frequency is recommended to apply for better performance by other parameter combination as the definitions in section 5.1.

Item		Symbol	Min.	Typ.	Max.	Unit
Horizontal	CLK Frequency	fclk	50	68.3	80	M Hz
	Display Data	thd	1280			CLK
	Cycle Time	th	1316	1440	-	
Vertical	Display Data	tvd	768			H
	Cycle Time	tv	771	790	-	
	Frequency	fv	55	60	75	Hz

## 9.6 DISPLAY MODE CONTROL

Scan direction is available to be switched as below by setting CN1's SD pin.

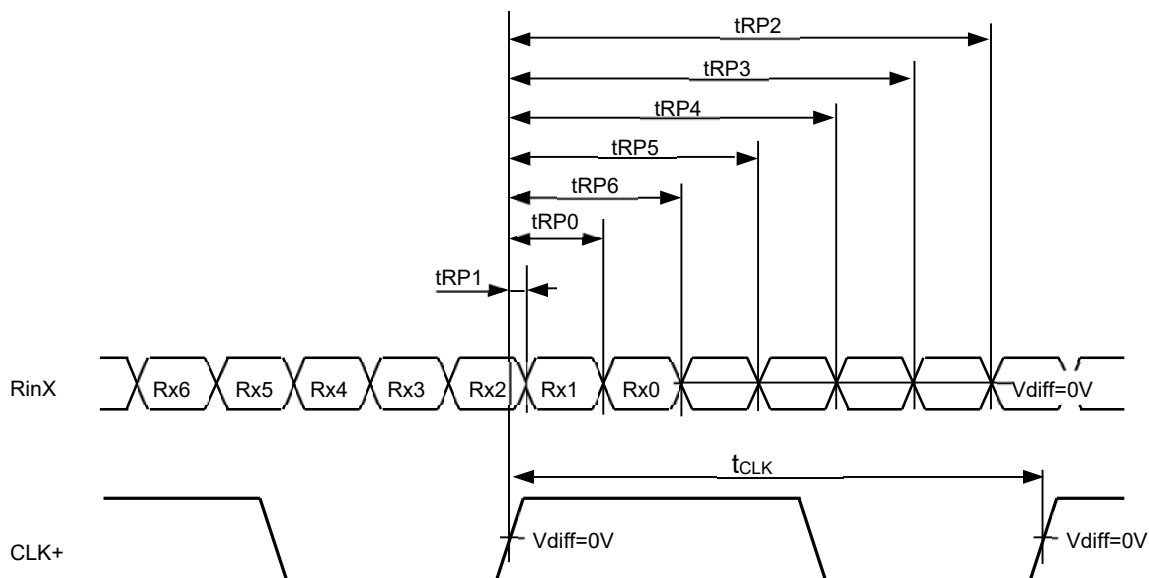


SD : Low / Default



SD : High

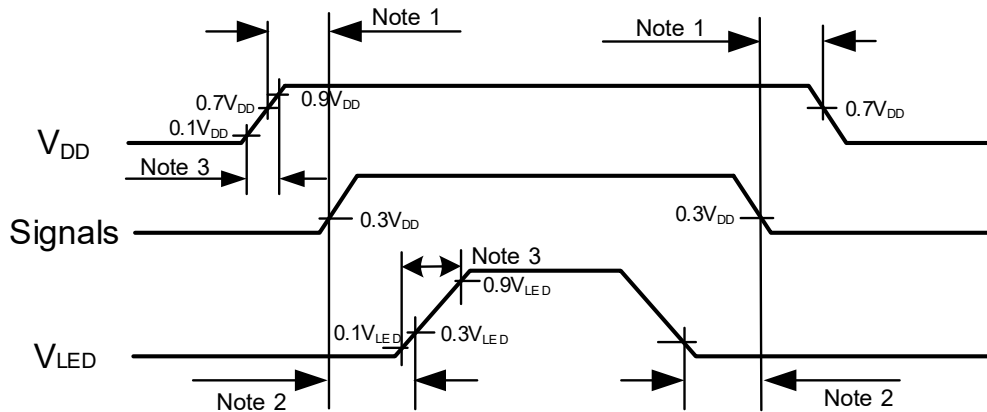
## 9.7 LVDS RECEIVER TIMING



$$RinX = (RinX+) - (RinX-) \quad (X=0, 1, 2, 3)$$

	Item	Symbol	Min.	Typ.	Max.	Unit
CLK	Cycle frequency	$1/t_{CLK}$	50	68.3	80	MHz
RinX (X=0,1,2,3)	0 data position	t <sub>RP0</sub>	$1/7t_{CLK}-0.4$	$1/7*t_{CLK}$	$1/7t_{CLK}+0.4$	ns
	1st data position	t <sub>RP1</sub>	-0.4	0	-0.4	
	2nd data position	t <sub>RP2</sub>	$6/7t_{CLK}-0.4$	$6/7*t_{CLK}$	$6/7t_{CLK}+0.4$	
	3rd data position	t <sub>RP3</sub>	$5/7t_{CLK}-0.4$	$5/7*t_{CLK}$	$5/7t_{CLK}+0.4$	
	4th data position	t <sub>RP4</sub>	$4/7t_{CLK}-0.4$	$4/7*t_{CLK}$	$4/7t_{CLK}+0.4$	
	5th data position	t <sub>RP5</sub>	$3/7t_{CLK}-0.4$	$3/7*t_{CLK}$	$3/7t_{CLK}+0.4$	
	6th data position	t <sub>RP6</sub>	$2/7t_{CLK}-0.4$	$2/7*t_{CLK}$	$2/7t_{CLK}+0.4$	

## 9.8 POWER SEQUENCE



Note 1: In order to avoid any damages,  $V_{DD}$  has to be applied before all other signals. The opposite is true for power off where  $V_{DD}$  has to be remained on until all other signals have been switch off. The recommended time period is 1 second.

Note 2: In order to avoid showing uncompleted patterns in transient state. It is recommended that switching the backlight on is delayed for 1 second after the signals have been applied. The opposite is true for power off where the backlight has to be switched off 1 second before the signals are removed.

Note 3: In order to avoid high Inrush current,  $V_{DD}$  rising time need to set more than 0.5ms.

## 9.9 DATA INPUT for DISPLAY COLOR

### 9.9.1 MODE = Low

Input color		Red Data						Green Data						Blue Data					
		R5	R4	R3	R2	R1	R0	G5	G4	G3	G2	G1	G0	B5	B4	B3	B2	B1	B0
		MSB			LSB			MSB			LSB			MSB			LSB		
Basic Color	Black	0	0	0	0	0	0	0	0	0	0	0	0	0	0	0	0	0	0
	Red(255)	1	1	1	1	1	1	0	0	0	0	0	0	0	0	0	0	0	0
	Green(255)	0	0	0	0	0	0	1	1	1	1	1	1	0	0	0	0	0	0
	Blue(255)	0	0	0	0	0	0	0	0	0	0	0	0	1	1	1	1	1	1
	Cyan	0	0	0	0	0	0	1	1	1	1	1	1	1	1	1	1	1	1
	Magenta	1	1	1	1	1	1	0	0	0	0	0	0	1	1	1	1	1	1
	Yellow	1	1	1	1	1	1	1	1	1	1	1	1	0	0	0	0	0	0
	White	1	1	1	1	1	1	1	1	1	1	1	1	1	1	1	1	1	1
Red	Red(1)	0	0	0	0	0	1	0	0	0	0	0	0	0	0	0	0	0	0
	Red(2)	0	0	0	0	1	0	0	0	0	0	0	0	0	0	0	0	0	0
	:	:	:	:	:	:	:	:	:	:	:	:	:	:	:	:	:	:	:
	:	:	:	:	:	:	:	:	:	:	:	:	:	:	:	:	:	:	:
	Red(62)	1	1	1	1	1	0	0	0	0	0	0	0	0	0	0	0	0	0
	Red(63)	1	1	1	1	1	1	0	0	0	0	0	0	0	0	0	0	0	0
Green	Green(1)	0	0	0	0	0	0	0	0	0	0	0	1	0	0	0	0	0	0
	Green(2)	0	0	0	0	0	0	0	0	0	0	1	0	0	0	0	0	0	0
	:	:	:	:	:	:	:	:	:	:	:	:	:	:	:	:	:	:	:
	:	:	:	:	:	:	:	:	:	:	:	:	:	:	:	:	:	:	:
	Green(62)	0	0	0	0	0	0	1	1	1	1	1	0	0	0	0	0	0	0
	Green(63)	0	0	0	0	0	0	1	1	1	1	1	1	0	0	0	0	0	0
Blue	Blue(1)	0	0	0	0	0	0	0	0	0	0	0	0	0	0	0	0	0	1
	Blue(2)	0	0	0	0	0	0	0	0	0	0	0	0	0	0	0	0	1	0
	:	:	:	:	:	:	:	:	:	:	:	:	:	:	:	:	:	:	:
	:	:	:	:	:	:	:	:	:	:	:	:	:	:	:	:	:	:	:
	Blue(62)	0	0	0	0	0	0	0	0	0	0	0	0	1	1	1	1	1	0
	Blue(63)	0	0	0	0	0	0	0	0	0	0	0	0	1	1	1	1	1	1

Note 1: Definition of gray scale : Color(n) Number in parenthesis indicates gray scale level. Larger number corresponds to brighter level.

Note 2: Data Signal : 1 : High, 0 : Low

### 9.9.2 MODE = High

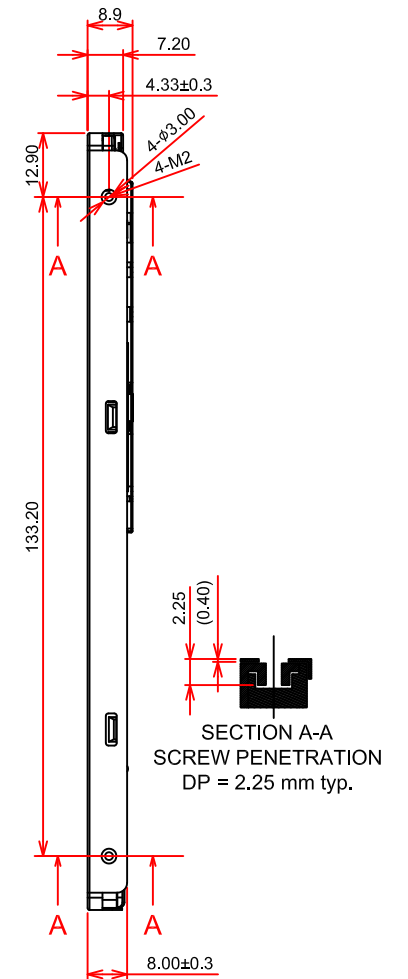
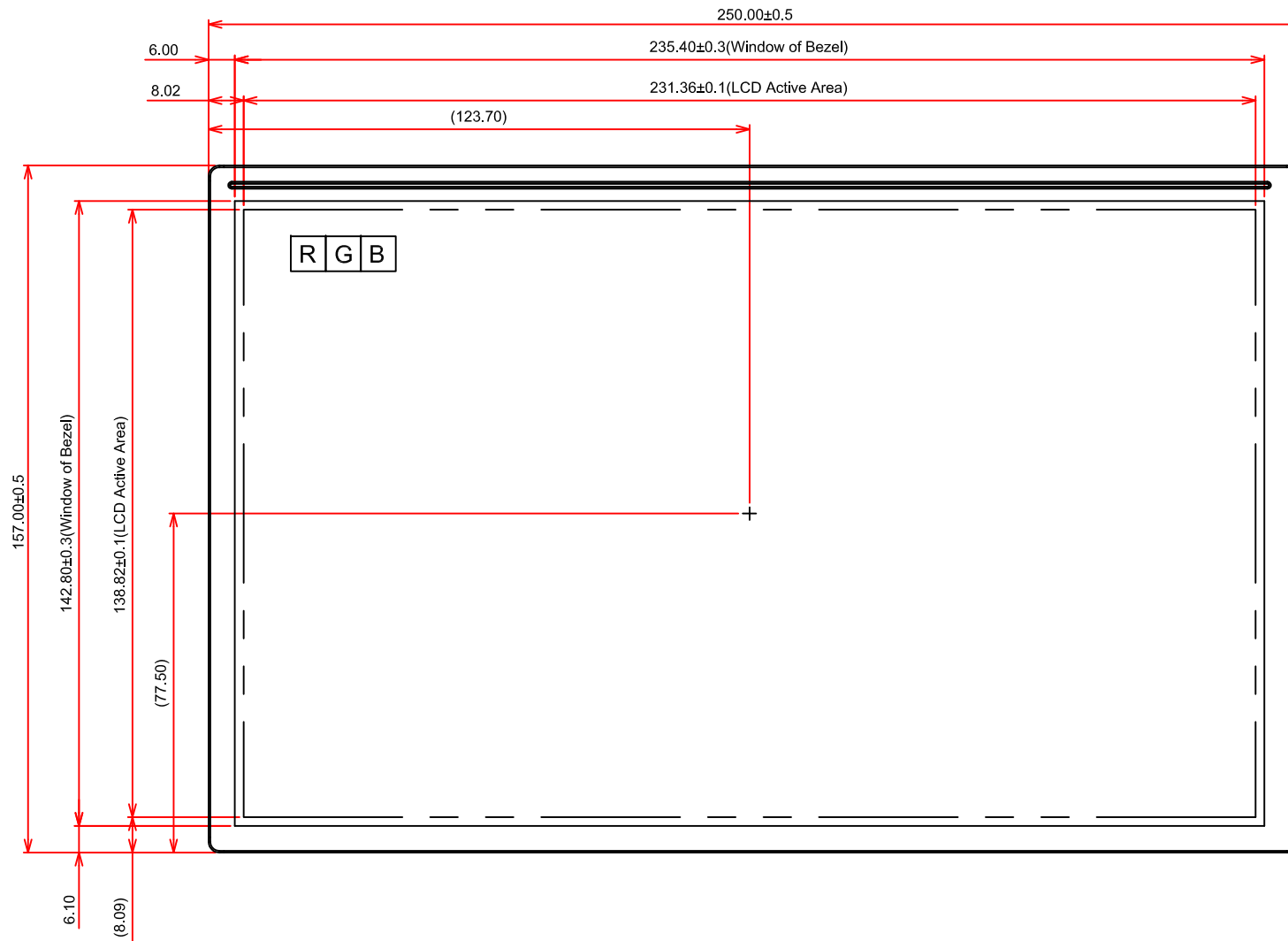
Input color		Red Data								Green Data								Blue Data													
		R7	R6	R5	R4	R3	R2	R1	R0	G7	G6	G5	G4	G3	G2	G1	G0	B7	B6	B5	B4	B3	B2	B1	B0						
		MSB								LSB								MSB								LSB					
Basic Color	Black	0	0	0	0	0	0	0	0	0	0	0	0	0	0	0	0	0	0	0	0	0	0	0	0						
	Red(255)	1	1	1	1	1	1	1	1	0	0	0	0	0	0	0	0	0	0	0	0	0	0	0							
	Green(255)	0	0	0	0	0	0	0	0	1	1	1	1	1	1	1	0	0	0	0	0	0	0	0							
	Blue(255)	0	0	0	0	0	0	0	0	0	0	0	0	0	0	0	1	1	1	1	1	1	1	1							
	Cyan	0	0	0	0	0	0	0	0	1	1	1	1	1	1	1	1	1	1	1	1	1	1	1							
	Magenta	1	1	1	1	1	1	1	1	0	0	0	0	0	0	0	1	1	1	1	1	1	1	1							
	Yellow	1	1	1	1	1	1	1	1	1	1	1	1	1	1	1	0	0	0	0	0	0	0	0							
	White	1	1	1	1	1	1	1	1	1	1	1	1	1	1	1	1	1	1	1	1	1	1	1							
Red	Black	0	0	0	0	0	0	0	0	0	0	0	0	0	0	0	0	0	0	0	0	0	0	0							
	Red(1)	0	0	0	0	0	0	0	1	0	0	0	0	0	0	0	0	0	0	0	0	0	0	0							
	Red(2)	0	0	0	0	0	0	1	0	0	0	0	0	0	0	0	0	0	0	0	0	0	0	0							
	:	:	:	:	:	:	:	:	:	:	:	:	:	:	:	:	:	:	:	:	:	:	:	:							
	Red(253)	1	1	1	1	1	1	0	1	0	0	0	0	0	0	0	0	0	0	0	0	0	0	0							
	Red(254)	1	1	1	1	1	1	1	0	0	0	0	0	0	0	0	0	0	0	0	0	0	0	0							
	Red(255)	1	1	1	1	1	1	1	1	0	0	0	0	0	0	0	0	0	0	0	0	0	0	0							
Green	Black	0	0	0	0	0	0	0	0	0	0	0	0	0	0	0	0	0	0	0	0	0	0	0							
	Green(1)	0	0	0	0	0	0	0	0	0	0	0	0	0	0	1	0	0	0	0	0	0	0	0							
	Green(2)	0	0	0	0	0	0	0	0	0	0	0	0	0	1	0	0	0	0	0	0	0	0	0							
	:	:	:	:	:	:	:	:	:	:	:	:	:	:	:	:	:	:	:	:	:	:	:	:							
	Green(253)	0	0	0	0	0	0	0	0	1	1	1	1	1	1	0	1	0	0	0	0	0	0	0							
	Green(254)	0	0	0	0	0	0	0	0	1	1	1	1	1	1	1	0	0	0	0	0	0	0	0							
	Green(255)	0	0	0	0	0	0	0	0	1	1	1	1	1	1	1	0	0	0	0	0	0	0	0							
Blue	Black	0	0	0	0	0	0	0	0	0	0	0	0	0	0	0	0	0	0	0	0	0	0	0							
	Blue(1)	0	0	0	0	0	0	0	0	0	0	0	0	0	0	0	0	0	0	0	0	0	0	1							
	Blue(2)	0	0	0	0	0	0	0	0	0	0	0	0	0	0	0	0	0	0	0	0	0	1	0							
	:	:	:	:	:	:	:	:	:	:	:	:	:	:	:	:	:	:	:	:	:	:	:	:							
	Blue(253)	0	0	0	0	0	0	0	0	0	0	0	0	0	0	0	1	1	1	1	1	1	0	1							
	Blue(254)	0	0	0	0	0	0	0	0	0	0	0	0	0	0	0	1	1	1	1	1	1	1	0							
	Blue(255)	0	0	0	0	0	0	0	0	0	0	0	0	0	0	0	1	1	1	1	1	1	1	1							

Note 1: Definition of gray scale : Color(n) Number in parenthesis indicates gray scale level. Larger number corresponds to brighter level.

Note 2: Data Signal : 1 : High, 0 : Low

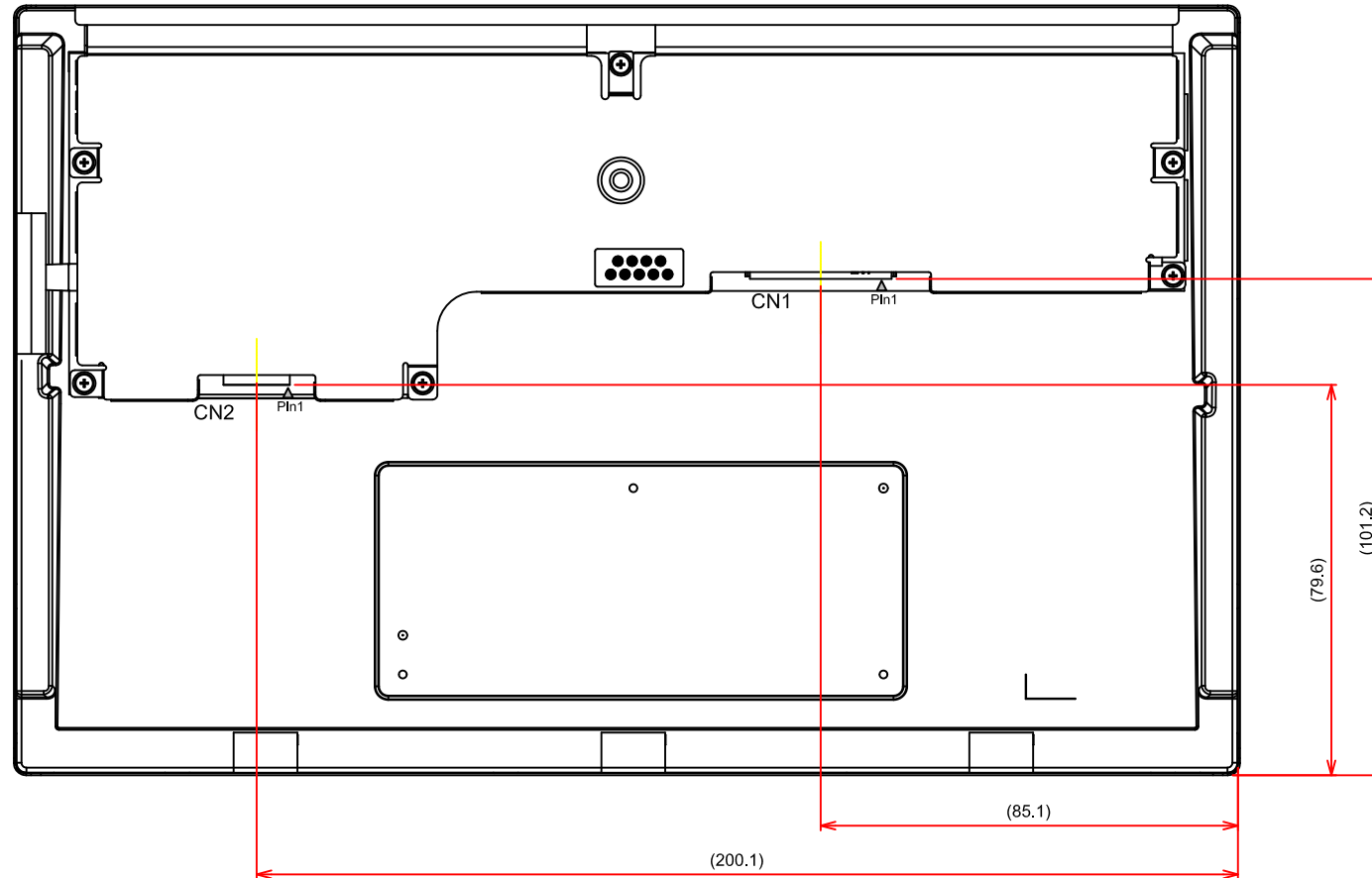
# 10. OUTLINE DIMENSIONS

## 10.1 FRONT VIEW



General Tolerance:  $\pm 0.5$  mm  
 Scale : NTS  
 Unit : mm

10.2 REAR VIEW



General Tolerance:±0.5mm  
Scale : NTS  
Unit : mm

# 11. APPEARANCE STANDARD

The appearance inspection is performed in a room around 500~1000 lx based on the conditions as below:

- The distance between inspector's eyes and display is 30 cm.
- The viewing zone is defined with angle  $\theta$  shown in Fig. 11.1 The inspection should be performed within  $45^\circ$  when display is shut down. The inspection should be performed within  $5^\circ$  when display is power on.

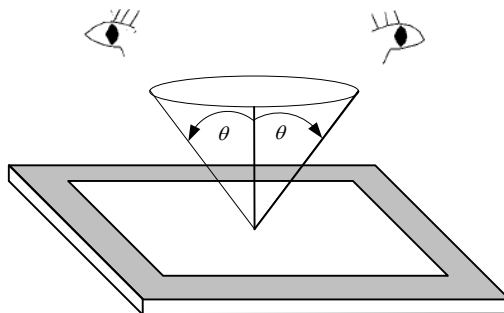


Fig. 11.1

## 11.1 THE DEFINITION OF LCD ZONE

LCD panel is divided into 3 areas as shown in Fig.11.2 for appearance specification in next section. A zone is the LCD active area (dot area); B zone is the area between A zone and metal frame.

In terms of housing design, B zone is the recommended window area customers' housing should be located in.

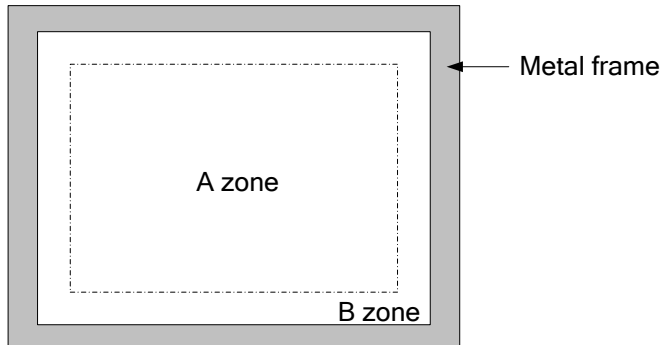


Fig. 11.2

## 11.2 LCD APPEARANCE SPECIFICATION

The specification as below is defined as the amount of unexpected phenomenon or material in different zones of LCD panel. The definitions of length, width and average diameter using in the table are shown in Fig. 11.3 and Fig. 11.4.

Item	Criteria				Applied zone
	Length (mm)	Width (mm)	Maximum number	Minimum space	
Scratches	Ignored	$W \leq 0.02$	Ignored	-	A, B
	$L \leq 40$	$0.02 < W \leq 0.05$	10	-	
	-	$0.05 < W$	Not allowed	-	
	Serious one is not allowed				
Dent	Serious one is not allowed				A
Wrinkles in polarizer	Serious one is not allowed				A
Bubbles on polarizer	Average diameter (mm)		Maximum number		A
	$D \leq 0.3$		Ignored		
	$0.3 < D \leq 0.5$		12		
	$0.5 < D$		Not allowed		
1) Stains 2) Foreign Materials 3) Dark Spot	Filamentous (Line shape)				A, B
	Length (mm)	Width (mm)	Maximum number		
	$L \leq 2.0$	$W \leq 0.03$	Ignored		
	$L \leq 3.0$	$0.03 < W \leq 0.05$	10		
	$L \leq 2.5$	$0.05 < W \leq 0.1$	1		
	Round (Dot shape)				A, B
	Average diameter (mm)		Maximum number	Minimum Space	
	$D \leq 0.2$		Ignored	-	
	$0.2 < D \leq 0.3$		10	10 mm	
	$0.3 < D \leq 0.4$		5	30 mm	
	$0.4 < D$		Not allowed	-	
	In total		Filamentous + Round=10		
	Those wiped out easily are acceptable				
	Dot-Defect (Note 1)			Type	Maximum number
Bright dot-defect		1 dot	0		
Dark dot-defect		1 dot	5		
		2 adjacent dot	2		
		3 adjacent dot or above	Not allowed		
		In total	5		
In total		5			

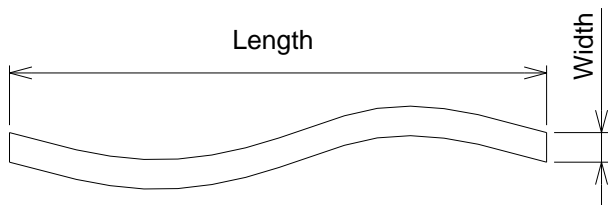


Fig 11.3

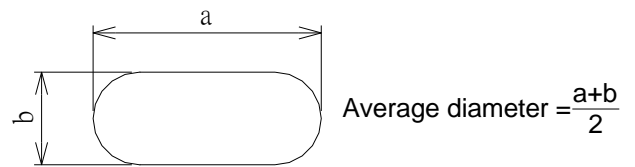


Fig 11.4

Note 1: The definitions of dot defect are as below:

- For bright dot-defect, showing black pattern, visible with 5% ND filter is defined.
- For dark dot-defect, showing white pattern, defect size over 1/2 dot area is defined.
- The definition of 1-dot-defect is the defect-dot, which is isolated and no adjacent defect-dot.
- The definition of adjacent dot is shown as Fig. 11.5.
- The Density of dot defect is defined in the area within diameter  $\phi = 10\text{mm}$ .

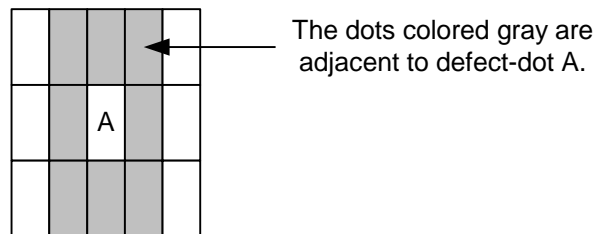


Fig. 11.5

## 12. PRECAUTIONS

### 12.1 PRECAUTIONS of ESD

- 1) Before handling the display, please ensure your body has been connected to ground to avoid any damages by ESD. Also, do not touch display's interface directly when assembling.
- 2) Please remove the protection film very slowly before turning on the display to avoid generating ESD.

### 12.2 PRECAUTIONS of HANDLING

- 1) In order to keep the appearance of display in good condition, please do not rub any surfaces of the displays by sharp tools harder than 3H, especially touch panel, metal frame and polarizer.
- 2) Please do not pile the displays in order to avoid any scars leaving on the display. In order to avoid any injuries, please pay more attention for the edges of glasses and metal frame, and wear finger cots to protect yourself and the display before working on it.
- 3) Touching the display area or the terminal pins with bare hand is prohibited. This is because it will stain the display area and cause poor insulation between terminal pins, and might affect display's electrical characteristics furthermore.
- 4) Do not use any harmful chemicals such as acetone, toluene, and isopropyl alcohol to clean display's surfaces.
- 5) Please use soft cloth or absorbent cotton with ethanol to clean the display by gently wiping. Moreover, when wiping the display, please wipe it by horizontal or vertical direction instead of circling to prevent leaving scars on the display's surface, especially polarizer.
- 6) Please wipe any unknown liquids immediately such as saliva, water or dew on the display to avoid color fading or any permanently damages.
- 7) Maximum pressure to the surface of the display must be less than  $1.96 \times 10^4$  Pa. If the area of adding pressure is less than  $1 \text{ cm}^2$ , the maximum pressure must be less than 1.96N.

### 12.3 PRECAUTIONS OF OPERATING

- 1) Please input signals and voltages to the displays according to the values defined in the section of electrical characteristics to obtain the best performance. Any voltages over than absolute maximum rating will cause permanent damages to this display. Also, any timing of the signals out of this specification would cause unexpected performance.
- 2) When the display is operating at significant low temperature, the response time will be slower than it at  $25^\circ\text{C}$ . In high temperature, the color will be slightly dark and blue compared to original pattern. However, these are temperature-related phenomenon of LCD and it will not cause permanent damages to the display when used within the operating temperature.
- 3) The use of screen saver or sleep mode is recommended when static images are likely for long periods of time. This is to avoid the possibility of image sticking.
- 4) Spike noise can cause malfunction of the circuit. The recommended limitation of spike noise is no bigger than  $\pm 100 \text{ mV}$ .

## 12.4 PRECAUTIONS of STORAGE

If the displays are going to be stored for years, please be aware the following notices.

- 1) Please store the displays in a dark room to avoid any damages from sunlight and other sources of UV light.
- 2) The recommended long term storage temperature is between 10 C° ~35 C° and 55%~75% humidity to avoid causing bubbles between polarizer and LCD glasses, and polarizer peeling from LCD glasses.
- 3) It would be better to keep the displays in the container, which is shipped from KOE, and do not unpack it.
- 4) Please do not stick any labels on the display surface for a long time, especially on the polarizer.

### 13. DESIGNATION of LOT MARK

1) The lot mark is showing in Fig.13.1. First 4 digits are used to represent production lot, T represented made in Taiwan, and the last 6 digits are the serial number.

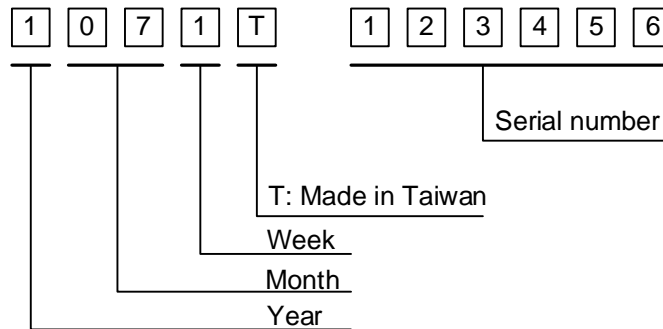


Fig. 13.1

2) The tables as below are showing what the first 4 digits of lot mark are shorted for.

Year	Lot Mark
2021	1
2022	2
2023	3
2024	4
2025	5

Month	Lot Mark	Month	Lot Mark
Jan.	01	Jul.	07
Feb.	02	Aug.	08
Mar.	03	Sep.	09
Apr.	04	Oct.	10
May	05	Nov.	11
Jun.	06	Dec.	12

Week	Lot Mark
1~7 days	1
8~14 days	2
15~21 days	3
22~28 days	4
29~31 days	5

3) The location of the lot mark is on the back of the display shown in Fig. 13.2

Label example :

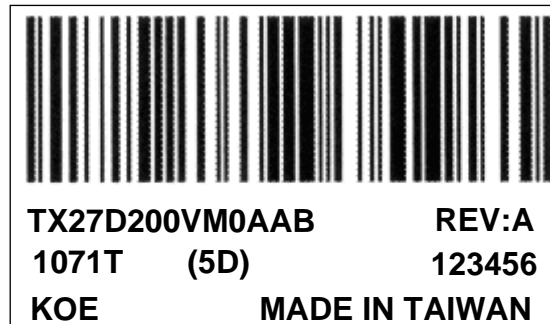


Fig. 13.2