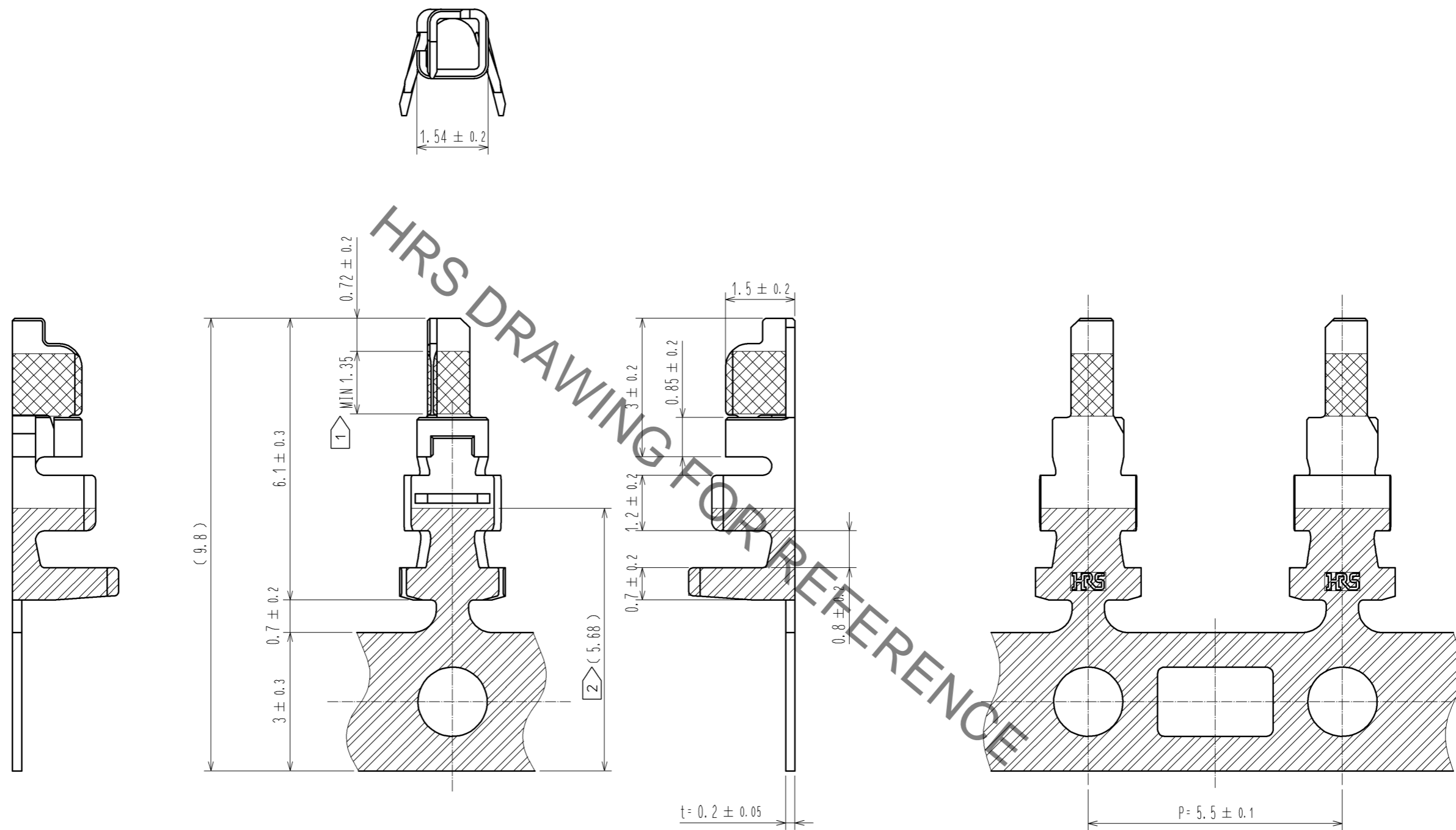


Jan.1.2020 Copyright 2020 HIROSE ELECTRIC CO., LTD. All Rights Reserved.
 In case of consideration for using Automotive equipment / device which demand high reliability, kindly contact our sales window correspondents.



- NOTE.
- 1 GOLD PLATING AREA POSITION.
 - 2 TIN PLATING AREA POSITION.
 - 3 1 REEL : 10000 CONTACTS.
 - 4 UL(FILE NO. E52653).
C-UL(FILE NO. E52653) APPROVED PRODUCT.



NO.	MATERIAL	FINISH . REMARKS	NO.	MATERIAL	FINISH . REMARKS	
1	PHOSPHOR BRONZE					
CONTACT AREA : GOLD PLATING 0.2 μm MIN CARRIER AREA : TIN PLATING 1μm MIN OTHERS : NICKEL PLATING 0.5 μm MIN						
UNITS	SCALE	COUNT	DESCRIPTION OF REVISIONS	DESIGNED	CHECKED	DATE
mm	5 : 1	1	DIS-H-006791	ST. SATO	HK. UMEHARA	12. 04. 13
APPROVED : KI. AKIYAMA 10. 09. 28			DRAWING NO. EDC3-331131-01			
CHECKED : OM. MIYAMOTO 10. 09. 27			PART NO. DF59-22PCFA			
DESIGNED : KT. ISHII 10. 09. 27			CODE NO. CL667-0016-8-00			
DRAWN : KT. ISHII 10. 09. 27						