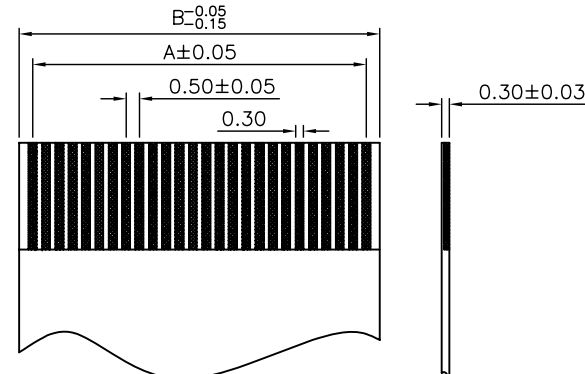
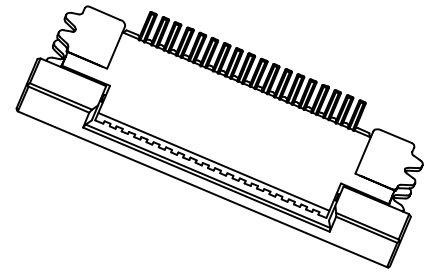
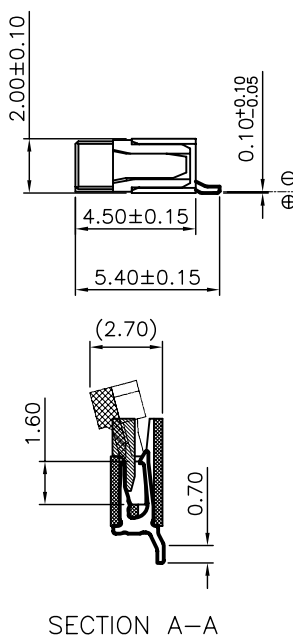
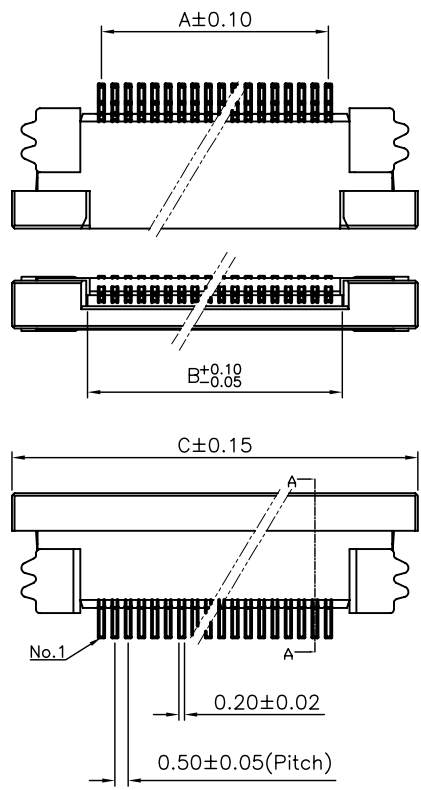


REV.	LOCAS.	DESCRIPTION	DATE	DRAWN
01	NEW	INITIAL RELEASE.	2013.05.16	張佳黛

NOTE:

- Material:
  - Housing: Heat Resistance Plastic (UL94V-0) LCP
  - Actuator: Heat Resistance Plastic (UL94V-0) PPS
  - Terminal: Phosphor bronze
  - Fitting Nail: Phosphor bronze
- Specifications
  - Insulation Resistance: 500MΩ Min.
  - Dielectric Withstanding: 500V AC/DC
  - Contact Resistance: 0.03Ω Max.
  - Operating Temperature: -25°C to +85°C

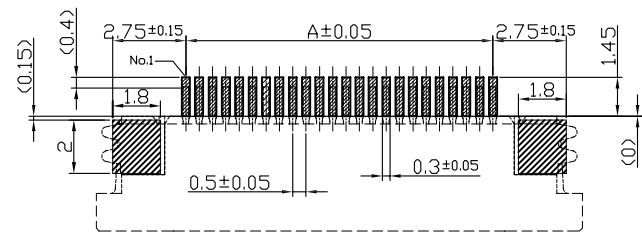
All materials must meet Greenconn requirement for environment protection



### Ordering Information

C FAD102-XX XX A 030 C X A X-06

No. of Pins per Row 04~60	Standard Plating 01=Tin	Color 1=Black 2=White ...	Standard Packing C=Tube D=Tape Reel ...
	Selective Plating 02=Gold Flash 05=Gold Flash/Tin ...		



No. of PIN/ROW	Dimension Information			No. of PIN/ROW	Dimension Information		
	A	B	C		A	B	C
04	1.50	2.60	8.20	33	16.00	17.10	22.70
05	2.00	3.10	8.70	34	16.50	17.60	23.20
06	2.50	3.60	9.20	35	17.00	18.10	23.70
07	3.00	4.10	9.70	36	17.50	18.60	24.20
08	3.50	4.60	10.20	37	18.00	19.10	24.70
09	4.00	5.10	10.70	38	18.50	19.60	25.20
10	4.50	5.60	11.20	39	19.00	20.10	25.70
11	5.00	6.10	11.70	40	19.50	20.60	26.20
12	5.50	6.60	12.20	41	20.00	21.10	26.70
13	6.00	7.10	12.70	42	20.50	21.60	27.20
14	6.50	7.60	13.20	43	21.00	22.10	27.70
15	7.00	8.10	13.70	44	21.50	22.60	28.20
16	7.50	8.60	14.20	45	22.00	23.10	28.70
17	8.00	9.10	14.70	46	22.50	23.60	29.20
18	8.50	9.60	15.20	47	23.00	24.10	29.70
19	9.00	10.10	15.70	48	23.50	24.60	30.20
20	9.50	10.60	16.20	49	24.00	25.10	30.70
21	10.00	11.10	16.70	50	24.50	25.60	31.20
22	10.50	11.60	17.20	51	25.00	26.10	31.70
23	11.00	12.10	17.70	52	25.50	26.60	32.20
24	11.50	12.60	18.20	53	26.00	27.10	32.70
25	12.00	13.10	18.70	54	26.50	27.60	33.20
26	12.50	13.60	19.20	55	27.00	28.10	33.70
27	13.00	14.10	19.70	56	27.50	28.60	34.20
28	13.50	14.60	20.20	57	28.00	29.10	34.70
29	14.00	15.10	20.70	58	28.50	29.60	35.20
30	14.50	15.60	21.20	59	29.00	30.10	35.70
31	15.00	16.10	21.70	60	29.50	30.60	36.20
32	15.50	16.60	22.20				

格菱股份有限公司  
**Greenconn Corporation**

GENERAL TOLERANCE	
X.*±5.0°	X.±0.30
.X*±3.0°	.X±0.25
.XX*±2.0°	.XX±0.20
.XXX*±1.0°	.XXX±0.10

DESIGN: 張佳黛      DATE: 2013.05.16

CHECKED: 朱振霆      DATE: 2013.05.16

DWG. NO.  
CFAD102-CA30CA

PART NO.  
CFAD102-XXXXA030CXAX-06

TITLE:  
0.5mm FPC SMT  
臥貼下接半包

REV.	UNIT.	SCALE.	PAGE.
01	mm	1:1	1/1