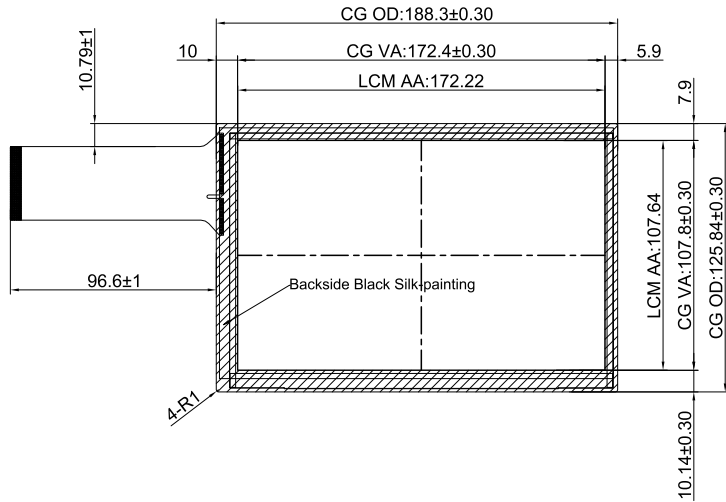
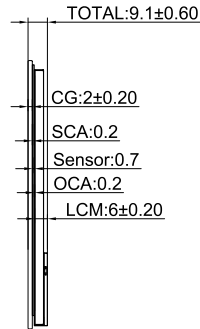


Ver.	Modify No.	Details	Area	P.I.C	Date

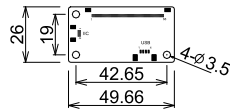
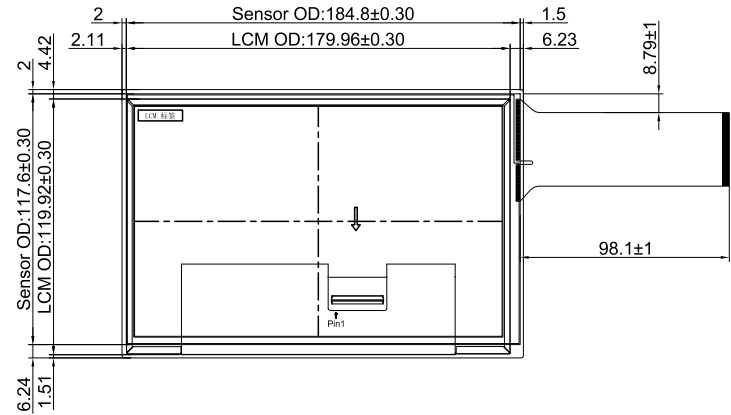
Front View



Side View



Bottom View



USB PIN ASSIGNMENT

1	VBUS
2	DN
3	DP
4	GND

Technical Datasheet:

1. Structure: TP+LCM Optical Bonding
2. Cover Glass: 2mm Tempered Glass
3. LCD: TF080VOC500LV1.0
4. TP Controller: BTP-TPM-CTR-ILI-080B-SN07
5. TP Controller IC: ILI2511 (Interface: USB)
6. Surface Hardness: ≥6H
7. Light Transmittance: ≥85%
8. Working Temperature: -20°C~+70°C, ≤85%RH;
9. Storage Temperature: -30°C~+80°C, ≤85%RH;
10. Unmarked Tolerance: ±0.5mm
11. All materials used conform to RoHS standards

Part No.		BTP-TPM-TF-8-ILI-SN07		
Product Name:		Drawing No.	PM080251111SN07	
8 inch Touch Display		Project Code.	PM080SN07	
Designed by:	Curry.Wang	Business Unit:	Period Mark	View Angle
Checked by:	Jimmy.Lu	SNT-BTP	A	1:1
Approved by:	Cale.Chen		Ratio	
Workmanship:		BOM Code	2.03.080.01.0107	Page 1
Standardization:	Link.Chen	Product Series	BTP-TPM	Total 1 Page
Released by:	Rocky.Liu	思诺泰科创电子(苏州)有限公司 SINOTRONICS INC.		