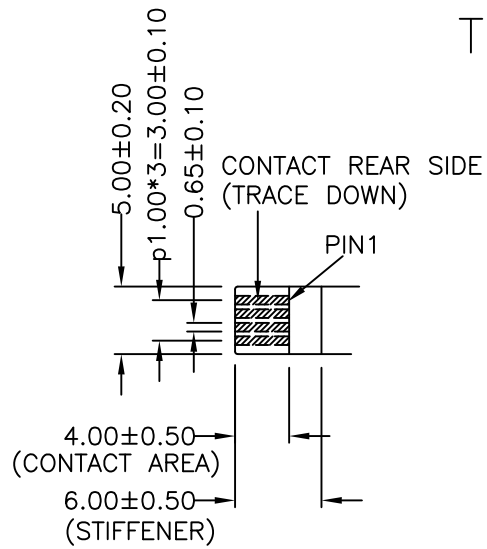
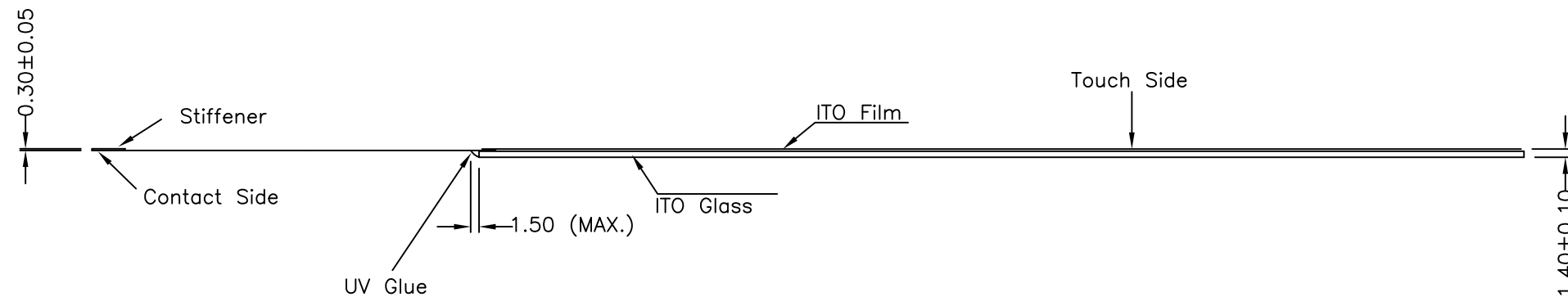
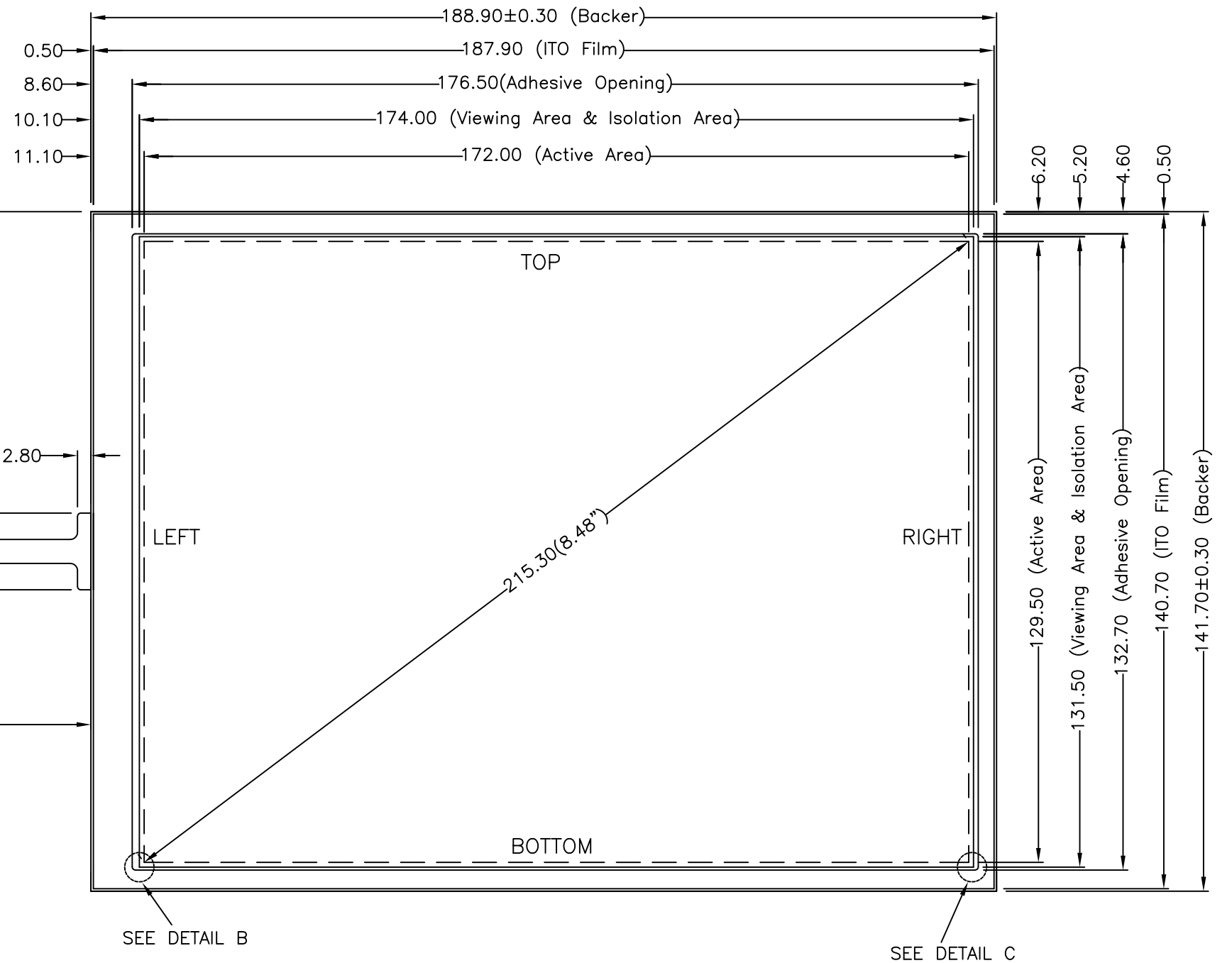
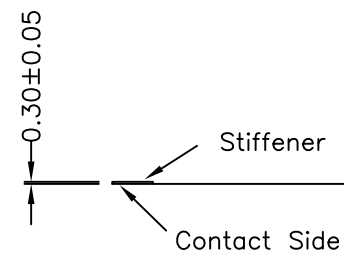
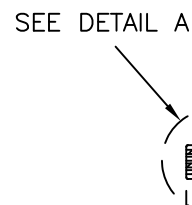
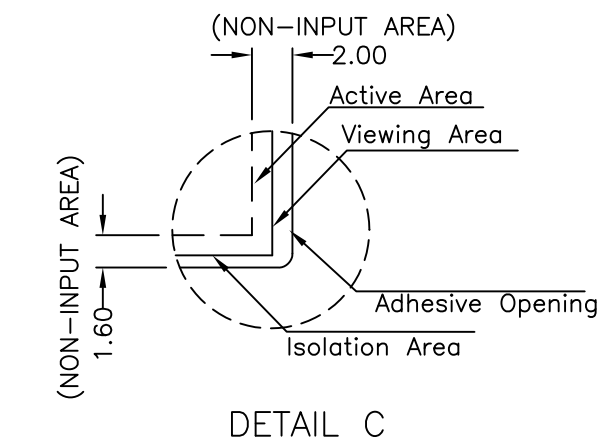
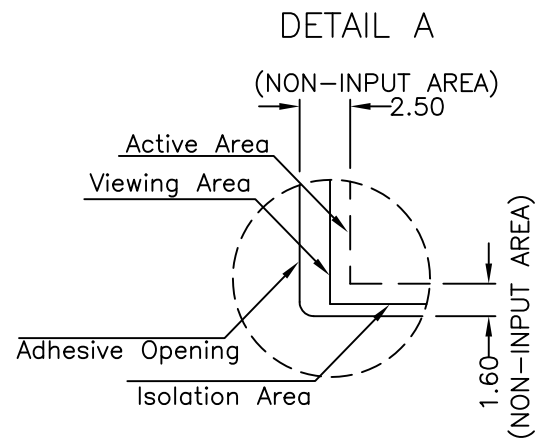


TOUCH SIDE VIEW



Pin #	Assignment
1	Right
2	Top
3	Left
4	Bottom



NOTES:

1. ITO GLASS THICKNESS : 1.10mm
  2. OVERALL THICKNESS : 1.40±0.10mm
  3. CONNECTOR AND PINOUT AS INDICATED
  4. FRONT SURFACE : ANTI-GLARE HARDCOAT
  5. LAYER TO LAYER ASSEMBLY TOLERANCE : ±0.50mm
  6. TAIL TYPE : IMMERSION GOLD PLATED FPC , ZIF
  7. OTHER SPEC : SEE APPROVAL SHEET
- \*BEFORE DESIGN PLEASE REFER TO THE INTEGRATION GUIDE



NO.	DATE	DESCRIPTION	CHK
REVISION			
CHIEF OF DESIGN		APPROVED	Grace
ENGINEER		PROJECT MANAGER	
DRAWN BY	Bruce	DATE	May 16 , 2012
SHT 1 OF 1		REV.	

Apex Material Technology Corp.	
TOLERANCES UNLESS SPECIFIED	
.X	± 0.50
.XX	± 0.50
.XXX	± 0.30
ANGULAR	.
MODEL NAME : 9552	
DWG NO : 9552-0-011	
SCALE: 1:1 UNIT: mm	