

# Kingtronics®

# GKT-VX

## Aluminum Electrolytic Capacitor – SMD

### FEATURES

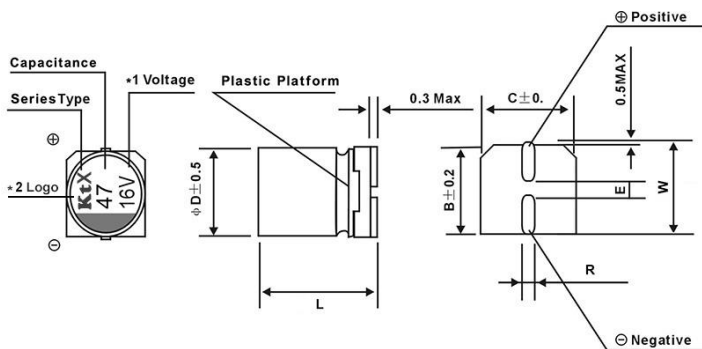
- ◆ 105°C 2,000hours
- ◆ Miniaturized, Extra Low Impedance
- ◆ Designed for reflow soldering
- ◆ Designed for surface mounting on high-density PCB



### SPECIFICATIONS

Rated Voltage (V)	-	6.3	10	16	25	35	50	
Surge Voltage (V)	Room temperature	7.3	11.5	18.4	28.8	40.3	57.5	
Category Temperature Range (°C)	-	-55 to +105						
Capacitance Tolerance (%)	120Hz/20°C	M : ±20						
Dissipation Factor (Tan δ)	Tan δ (max)	Φ4 to Φ6.3	0.26	0.19	0.16	0.14	0.12	0.10
	120Hz/20°C	Φ8 to Φ10	0.32	0.21	0.18	0.16	0.12	0.10
Leakage Current (LC)	µA/after 2minutes (max)	The greater value of either 0.01CV or 3µA						
Impedance Ratio at Low Temperature	Based on the value at 120Hz, +20°C	-25°C	Z/Z20°C	4	3	2	2	2
		-55°C	Z/Z20°C	8	5	4	3	3
Endurance	After applying rated working voltage for 2000H at +105°C ± 2°C, and then being stabilized at +20°C, capacitors shall meet the following limits	ΔC/C	Within ±30% of the initial value					
		tanδ	Less than 200% of the specified value					
		LC	Within the initial limit					
Shelf Life	-	After storage for 1000 h at +105°C ± 2°C with no voltage applied and then being stabilized at +20°C, capacitors shall meet the limits specified in endurance						
Resistance to Soldering Heat	After reflow soldering and then being stabilized at +20°C, capacitors shall meet the following limits	ΔC/C	Within ±10% of the initial value					
		tanδ	Within the initial limit					
		LC	Within the initial limit					

### DRAWING (Unit: mm)



ΦDxL	4x5.4	5x5.4	6.3x5.4	6.3x7.7	8x6.5	8x10.5	10x10.5
B	4.3	5.3	6.6	6.6	8.3	8.3	10.3
C	4.3	5.3	6.6	6.6	8.3	8.3	10.3
E±0.2	1.0	1.3	2.2	2.2	3.1	3.1	4.4
L±0.6	5.4	5.4	5.4	7.7	6.5	10.5	10.5
R	0.5to0.8	0.5to0.8	0.5to0.8	0.5to0.8	0.7to1.0	0.7to1.0	0.1to1.4
W	5.1	6.1	7.3	7.3	9.2	9.2	11.2

\*1 Voltage mark for 6.3V is [6V] or [6.3V] \*2 Kt logo mark for D:4mm & 5mm is [K] Product Markings: KtX, KX, RX, VD

Please visit our website to get more update data, those data & specification are subject to change without notice.

### FREQUENCY COEFFICIENT OF ALLOWABLE RIPPLE CURRENT

Frequency: F(Hz)	50Hz	120Hz	1kHz	10kHz≤
Capacitance: C(µF)	C≤470	0.50	0.65	0.85
	C>470	0.55	0.70	0.90

**Kingtronics® International Company**

Website: [www.kingtronics.com](http://www.kingtronics.com) Email: [info@kingtronics.com](mailto:info@kingtronics.com) Tel: (852) 8106 7033 Fax: (852) 8106 7099

**Kingtronics**®**GKT-VX**

Aluminum Electrolytic Capacitor – SMD

**DIMENSIONS & MAXIMUM PERMISSIBLE RIPPLE CURRENT&ESR**

WV		6.3			10			16		
uF	Parameter	0J			1A			1C		
		47	470	--	--	--	--	--	--	4x5.4
68	680	--	--	--	4x5.4	1.25	160	5x5.4	0.76	240
100	101	4x5.4	1.25	160	--	--	--	5x5.4	0.76	240
150	151	--	--	--	5x5.4	0.76	240	6.3x5.4	0.36	300
220	221	5x5.4	0.76	240	6.3x5.4	0.36	300	6.3x5.4	0.36	300
330	331	6.3x5.4	0.36	300	6.3x7.7	0.26	600	6.3x7.7	0.26	600
470	471	6.3x7.7	0.26	600	6.3x7.7	0.26	600	8x6.5	0.16	600
680	681	6.3x7.7	0.26	600	--	--	--	8x10.5	0.16	850
820	821	--	--	--	--	--	--	8x10.5	0.16	850
1000	102	--	--	--	8x10.5	0.16	850	10x10.5	0.08	1190
1200	122	--	--	--	--	--	--	10x10.5	0.08	1190
1500	152	8x10.5	0.16	850	10x10.5	0.08	1190	--	--	--
2200	222	10x10.5	0.08	1190	--	--	--	Case size: ΦDxL (mm)	Impedance (Ω) max at 100kHz, 20°C	Rated ripple current mArms (100kHz,105°C)

WV		25			35			50		
uF	Parameter	1E			1V			1H		
		10	100	--	--	--	--	--	--	4x5.4 (5x5.4)
22	220	4x5.4	1.25	160	4x5.4	1.25	160	5x5.4	1.18	165
33	330	4x5.4	1.25	160	5x5.4	0.76	240	--	--	--
47	470	5x5.4	0.76	240	5x5.4	0.76	240	6.3x5.4	0.74	195
68	680	5x5.4	0.76	240	6.3x5.4	0.36	300	--	--	--
100	101	6.3x5.4	0.36	300	6.3x5.4	0.36	300	6.3x7.7	0.40	350
150	151	6.3x7.7	0.26	600	6.3x7.7	0.26	600	--	--	--
220	221	6.3x7.7	0.26	600	--	--	--	8x10.5	0.24	670
330	331	--	--	--	8x10.5	0.16	850	10x10.5	0.18	900
390	391	8x10.5	0.16	850	8x10.5	0.16	850	--	--	--
470	471	8x10.5	0.16	850	10x10.5	0.08	1190	--	--	--
560	561	8x10.5	0.16	850	10x10.5	0.08	1190	--	--	--
680	681	--	--	--	10x10.5	0.08	1190	--	--	--
820	821	10x10.5	0.08	1190	--	--	--	--	--	--
1000	102	10x10.5	0.08	1190	--	--	--	Case size: ΦDxL (mm)	Impedance (Ω) max at 100kHz, 20°C	Rated ripple current mArms (100kHz,105°C)

Please visit our website to get more update data, those data &amp; specification are subject to change without notice.

**Kingtronics**® International CompanyWebsite: [www.kingtronics.com](http://www.kingtronics.com)Email: [info@kingtronics.com](mailto:info@kingtronics.com)

Tel: (852) 8106 7033

Fax: (852) 8106 7099

# Kingtronics®

# GKT-VX

## Aluminum Electrolytic Capacitor – SMD

### HOW TO ORDER

<u>GKT</u>	<u>VX</u>	<u>0J</u>	<u>M</u>	<u>220</u>	<u>040054</u>	<u>T</u>	<u>R</u>
Series	Sub Series	Voltage	Capacitance Tolerance	Capacitance	Case Size	Packing	Pb
		1.	2.	3.	4.	5.	6.

### NOTE:

#### 1. Rated Voltage

Code	0G	0J	1A	1C	1E	1V	1H	1J	2A
Voltage	4	6.3	10	16	25	35	50	63	100

#### 2. Capacitance Tolerance

Code	K	M	Q	T
Tolerance	±10%	±20%	+30-10%	+50-10%

#### 3. Capacitance

Code	0R1	R47	010	4R7	100	470	101	471	102	472	103
Capacitance (µF)	0.1	0.47	1	4.7	10	47	100	470	1000	4700	10000

#### 4. Case Size

Code	040054	050054	063054	080105	100105	125135	160215
Case Size (mm)	4x5.4	5x5.4	6.3x5.4	8x10.5	10x10.5	12.5x13.5	16x21.5

#### 5. Packing

Code	T	P
Packing	Tape & Reel	Plastic reel

#### 6. Pb

Code	R
Pb	RoHS

Note: Specifications are subject to change without notice.

**Kingtronics® International Company**

Website: [www.kingtronics.com](http://www.kingtronics.com) Email: [info@kingtronics.com](mailto:info@kingtronics.com) Tel: (852) 8106 7033 Fax: (852) 8106 7099