

1 2 3 4 5 6 7 8

A

B

C

D

E

F

G

H

A

B

C

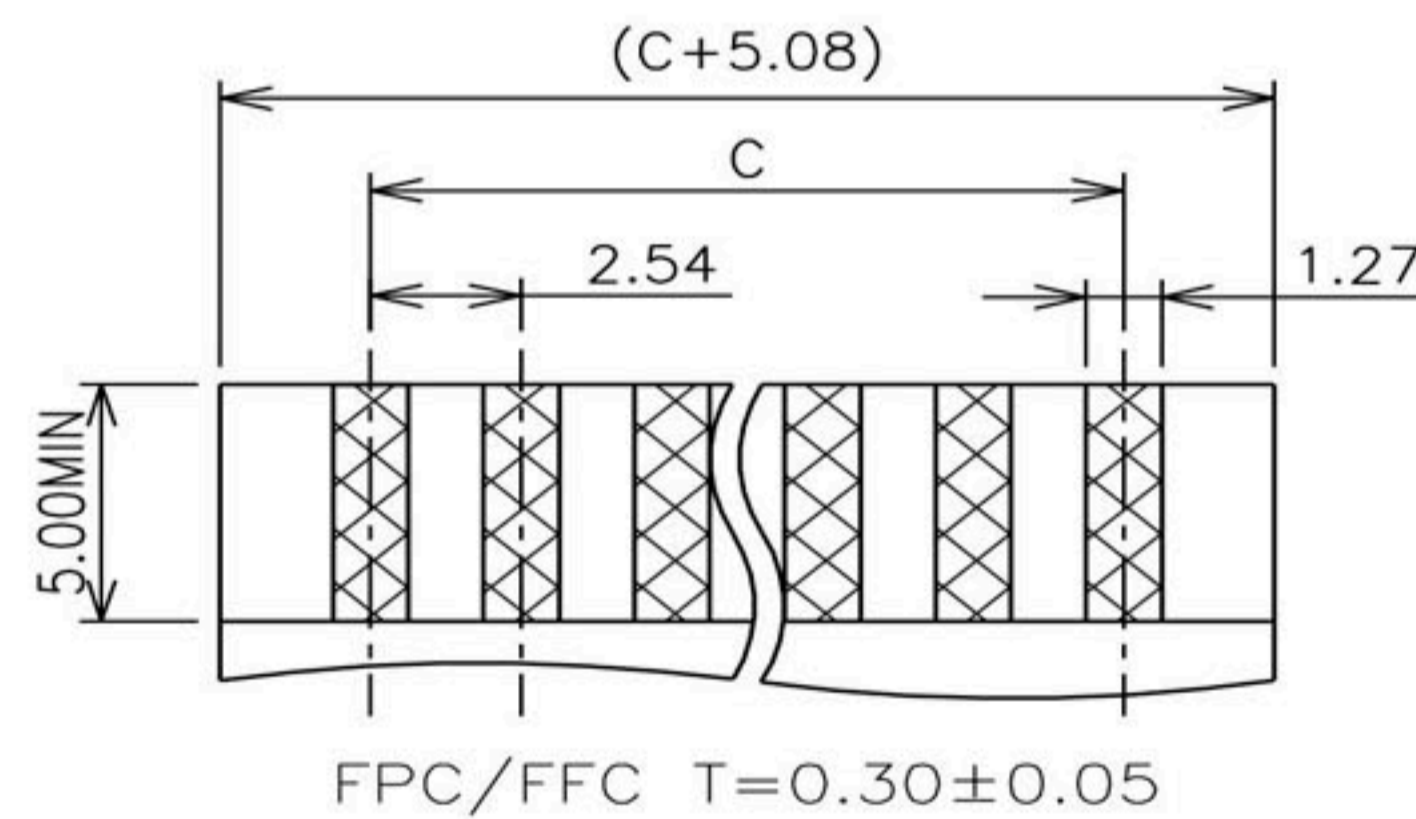
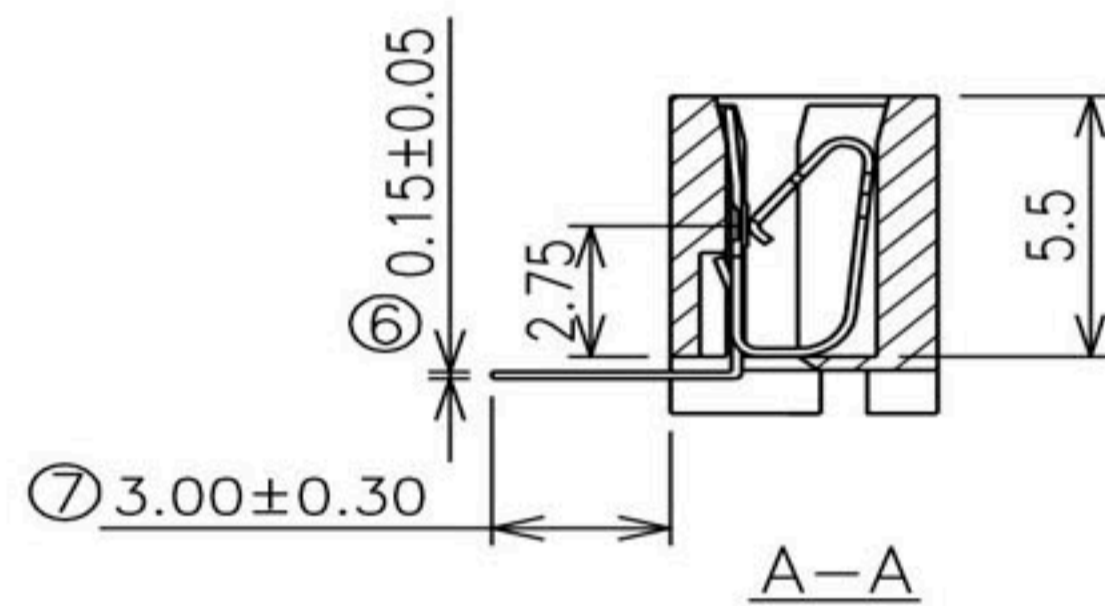
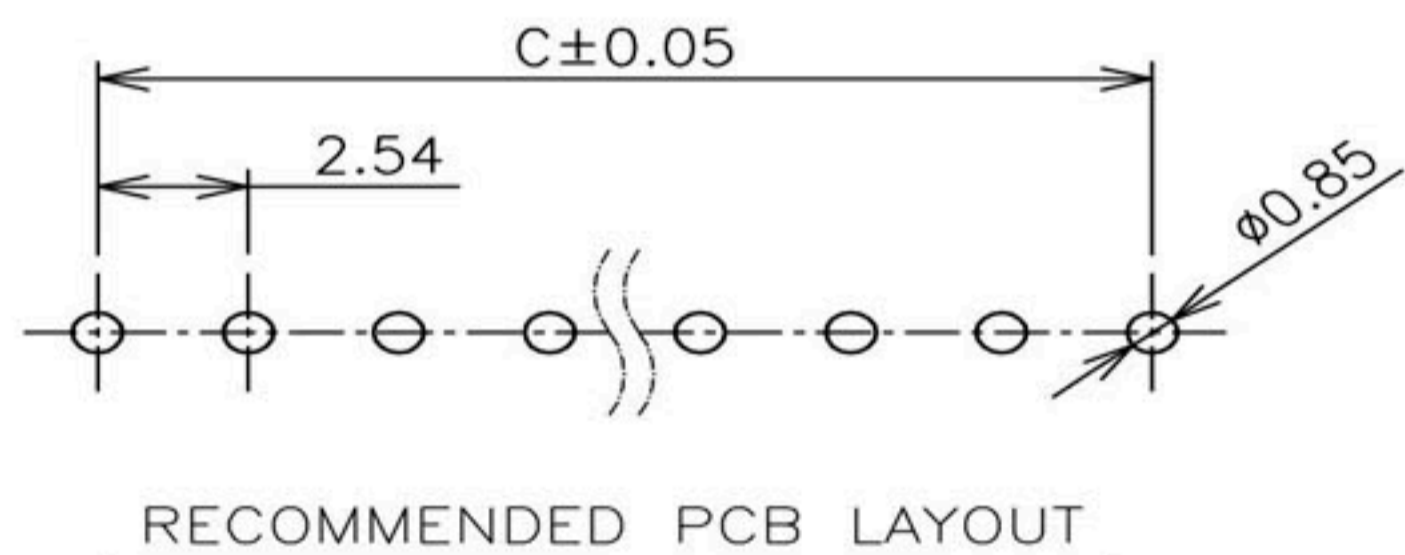
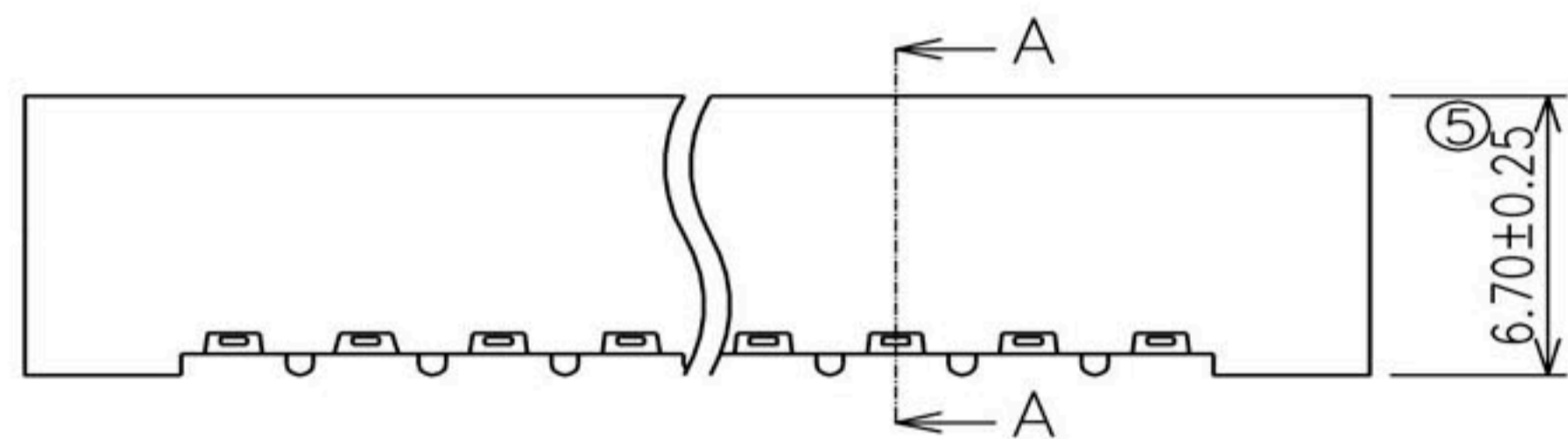
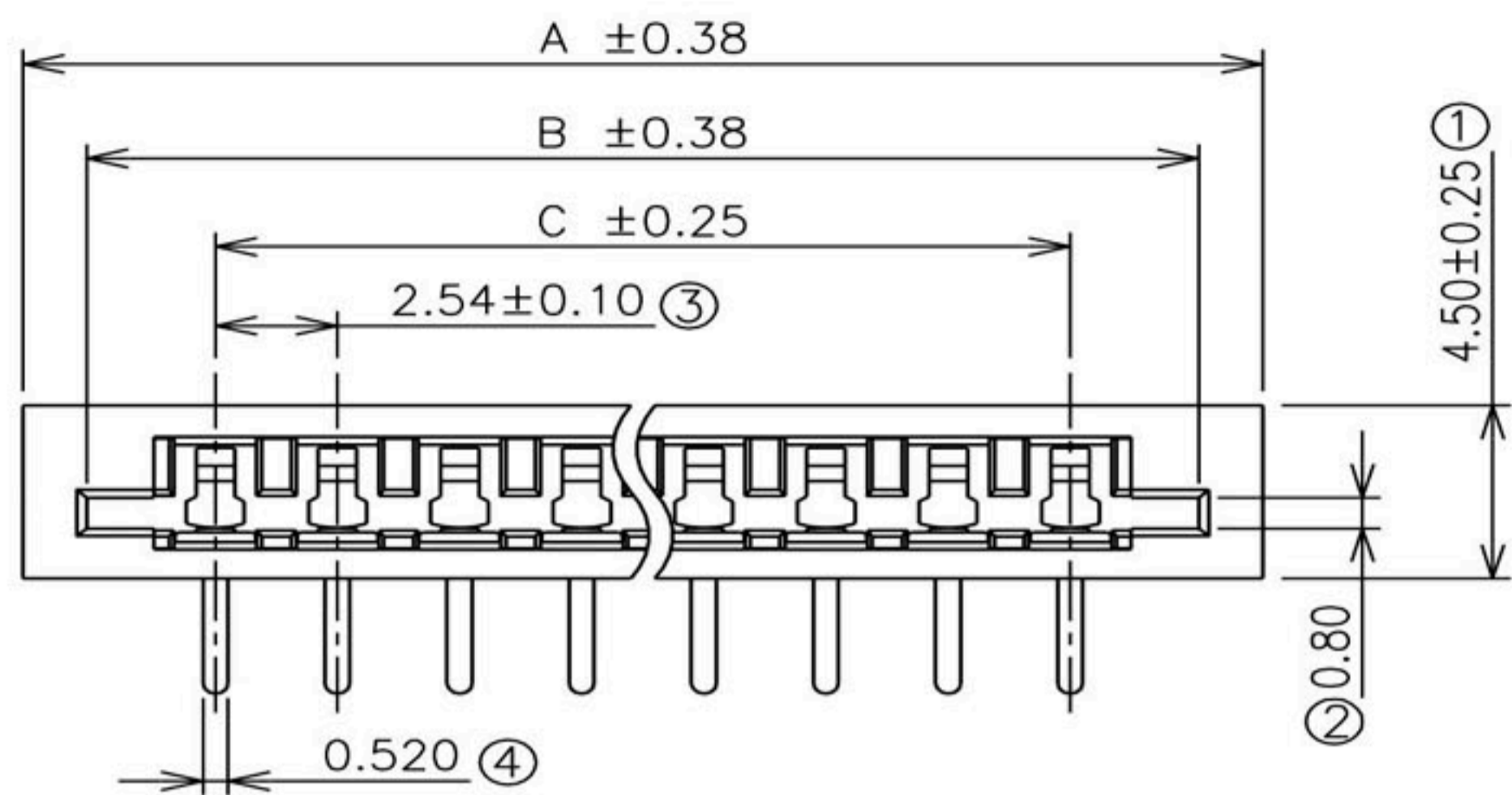
D

E

F

G

H



NOTE:

■ MATERIAL

HOUSING: GLASS-REINFORCED THERMOPLASTIC UL 94V-0.  
CONTACT: COPPER ALLOY.  
PLATING: TIN PLATED OVER NICKEL

■ ELECTRICAL

CURRENT RATING: 3.0AMP.  
DIELECTRIC WITHSTANDING VOLTAGE: 1000V AC MIN.  
INSULATION RESISTANCE: 1000MΩ MIN.  
CONTACT RESISTANCE: 30mΩ MAX.

■ ENVIRONMENTAL

TEMPERATURE RANGE: -25°C TO 85°C.

■ PART NO.

■ DIMENSION TABLE

Circuit	Dimension			Circuit	Dimension		
	A	B	C		A	B	C
2	10.54	8.43	2.54	20	56.26	54.15	48.26
3	13.08	10.97	5.08	21	58.80	56.69	50.80
4	15.62	13.51	7.62	22	61.34	59.23	53.34
5	18.16	16.05	10.16	23	63.88	61.77	55.88
6	20.70	18.59	12.70	24	66.42	64.31	58.42
7	23.24	21.13	15.24	25	68.96	66.85	60.96
8	25.78	23.67	17.78	26	71.50	69.39	63.50
9	28.32	26.21	20.32	27	74.04	71.93	66.04
10	30.86	28.75	22.86	28	76.58	74.47	68.58
11	33.40	31.29	25.40	29	79.12	77.01	71.12
12	35.94	33.83	27.94	30	81.66	79.55	73.66
13	38.48	36.37	30.48	31	84.20	82.09	76.20
14	41.02	38.91	33.02	32	86.74	84.63	78.74
15	43.56	41.45	35.56	33	89.28	87.17	81.28
16	46.10	43.99	38.10	34	91.82	89.71	83.82
17	48.64	46.53	40.64	35	94.36	92.25	86.36
18	51.18	49.07	43.18	36	96.90	94.79	88.90
19	53.72	51.60	45.72				

RoHS  
Compliant

**HSM** 玄茂科技股份有限公司  
**HSUAN MAO TECHNOLOGY CO., LTD.**

APPD. 核准  
DWG. 製圖 *Helen*  
DATE 制表日  
2013/10/21

SCALE 比例 參考  
UNIT 單位 MM  
PAGE 張數 1 OF 1

TOLERANCE 容許公差  
.0 ±0.3  
.00 ±0.2  
ANG. ±

SIZE 紙張尺寸 A4  
REV. 版本 B

PART NAME 品名  
FFC/FPC NON-ZIF 2.54mm DUAL CONTACT XXP  
90° TIN PLATING BLACK COLOR ROHS

PART NO. 料號  
C3900-XXDITB00R

1 2 3 4 5 6 7 8