



() Preliminary Specification

(V) Final Specification

Module	21.5" Color TFT-LCD
Model Name	T215HVN01.1

Customer	Date
_____	_____
Approved by	
_____	_____
Note: This Specification is subject to change without notice.	

Approved by	Date
<u>Howard Lee</u>	<u>Feb 10, 2015</u>
Prepared by	Date
<u>Eugene Hsu</u>	<u>Feb 10, 2015</u>
AU Optronics corporation	

Contents

1	Handling Precautions.....	5
2	General Description	6
2.1	Display Characteristics.....	6
2.2	Absolute Maximum Rating of Environment	7
2.3	Optical Characteristics	8
3	TFT-LCD Module.....	12
3.1	Block Diagram.....	12
3.2	Interface Connection.....	13
3.2.1	Connector Type.....	13
3.2.2	Connector Pin Assignment.....	13
3.3	Electrical Characteristics.....	15
3.3.1	Absolute Maximum Rating	15
3.3.2	Recommended Operating Condition.....	15
3.4	Signal Characteristics	16
3.4.1	LCD Pixel Format.....	16
3.4.2	LVDS Data Format.....	16
3.4.3	Color versus Input Data	17
3.4.4	LVDS Specification.....	18
3.4.5	Input Timing Specification	20
3.4.6	Input Timing Diagram.....	21
3.5	Power ON/OFF Sequence	22
4	Backlight Unit.....	23
4.1	Block Diagram.....	23
4.2	Interface Connection.....	24
4.2.1	Connector Type.....	24
4.2.2	Connector Pin Assignment.....	26
4.3	Electrical Characteristics.....	27
4.3.1	Absolute Maximum Rating	27
4.3.2	Recommended Operating Condition.....	27
5	Reliability Test.....	29
6	Shipping Label	30
7	Mechanical Characteristics.....	31
8	Packing Specification.....	33
8.1	Packing Flow.....	33
8.2	Pallet and shipment information.....	34

Record of Revision

Version	Date	Page	Old description	New Description	Remark																																																																																																																																																																																		
0.1	2014/8/5	all																																																																																																																																																																																					
1.0.1	2015/01/06	22	<table border="1"> <thead> <tr> <th rowspan="2">Symbol</th> <th colspan="3">Value</th> <th rowspan="2">Unit</th> </tr> <tr> <th>Min.</th> <th>Typ.</th> <th>Max.</th> </tr> </thead> <tbody> <tr> <td>T1</td> <td>0.5</td> <td>-</td> <td>10</td> <td>[ms]</td> </tr> <tr> <td>T2</td> <td>0</td> <td>-</td> <td>50</td> <td>[ms]</td> </tr> <tr> <td>T3</td> <td>500</td> <td>-</td> <td>-</td> <td>[ms]</td> </tr> <tr> <td>T4</td> <td>100</td> <td>-</td> <td>-</td> <td>[ms]</td> </tr> <tr> <td>T5</td> <td>0</td> <td>-</td> <td>50</td> <td>[ms]</td> </tr> <tr> <td>T6</td> <td>0</td> <td>-</td> <td>100</td> <td>[ms]</td> </tr> </tbody> </table>	Symbol	Value			Unit	Min.	Typ.	Max.	T1	0.5	-	10	[ms]	T2	0	-	50	[ms]	T3	500	-	-	[ms]	T4	100	-	-	[ms]	T5	0	-	50	[ms]	T6	0	-	100	[ms]	<table border="1"> <thead> <tr> <th rowspan="2">Symbol</th> <th colspan="3">Value</th> <th rowspan="2">Unit</th> </tr> <tr> <th>Min.</th> <th>Typ.</th> <th>Max.</th> </tr> </thead> <tbody> <tr> <td>T1</td> <td>0.5</td> <td>-</td> <td>10</td> <td>[ms]</td> </tr> <tr> <td>T2</td> <td>0</td> <td>-</td> <td>50</td> <td>[ms]</td> </tr> <tr> <td>T3</td> <td>500</td> <td>-</td> <td>-</td> <td>[ms]</td> </tr> <tr> <td>T4</td> <td>100</td> <td>-</td> <td>-</td> <td>[ms]</td> </tr> <tr> <td>T5</td> <td>0</td> <td>-</td> <td>50</td> <td>[ms]</td> </tr> <tr> <td>T6</td> <td>0</td> <td>-</td> <td>-</td> <td>[ms]</td> </tr> </tbody> </table>	Symbol	Value			Unit	Min.	Typ.	Max.	T1	0.5	-	10	[ms]	T2	0	-	50	[ms]	T3	500	-	-	[ms]	T4	100	-	-	[ms]	T5	0	-	50	[ms]	T6	0	-	-	[ms]																																																																																																							
Symbol	Value				Unit																																																																																																																																																																																		
	Min.	Typ.	Max.																																																																																																																																																																																				
T1	0.5	-	10	[ms]																																																																																																																																																																																			
T2	0	-	50	[ms]																																																																																																																																																																																			
T3	500	-	-	[ms]																																																																																																																																																																																			
T4	100	-	-	[ms]																																																																																																																																																																																			
T5	0	-	50	[ms]																																																																																																																																																																																			
T6	0	-	100	[ms]																																																																																																																																																																																			
Symbol	Value			Unit																																																																																																																																																																																			
	Min.	Typ.	Max.																																																																																																																																																																																				
T1	0.5	-	10	[ms]																																																																																																																																																																																			
T2	0	-	50	[ms]																																																																																																																																																																																			
T3	500	-	-	[ms]																																																																																																																																																																																			
T4	100	-	-	[ms]																																																																																																																																																																																			
T5	0	-	50	[ms]																																																																																																																																																																																			
T6	0	-	-	[ms]																																																																																																																																																																																			
1.0.2	2015/01/19	8	<table border="1"> <thead> <tr> <th>Symbol</th> <th>Value</th> <th>Unit</th> <th>Remark</th> </tr> </thead> <tbody> <tr> <td>F_{cb}</td> <td>Flicker (Center of screen)</td> <td>-</td> <td>TBD [dB] Note 2-8 By SR-3</td> </tr> </tbody> </table>	Symbol	Value	Unit	Remark	F _{cb}	Flicker (Center of screen)	-	TBD [dB] Note 2-8 By SR-3	<table border="1"> <thead> <tr> <th>Symbol</th> <th>Value</th> <th>Unit</th> <th>Remark</th> </tr> </thead> <tbody> <tr> <td>F_{cb}</td> <td>Flicker (Center of screen)</td> <td>-</td> <td>-20 [dB] Note 2-8 By SR-3</td> </tr> </tbody> </table>	Symbol	Value	Unit	Remark	F _{cb}	Flicker (Center of screen)	-	-20 [dB] Note 2-8 By SR-3																																																																																																																																																																			
Symbol	Value	Unit	Remark																																																																																																																																																																																				
F _{cb}	Flicker (Center of screen)	-	TBD [dB] Note 2-8 By SR-3																																																																																																																																																																																				
Symbol	Value	Unit	Remark																																																																																																																																																																																				
F _{cb}	Flicker (Center of screen)	-	-20 [dB] Note 2-8 By SR-3																																																																																																																																																																																				
1.0.2	2015/01/19	20	<p>3.4.5 Input Timing Specification</p> <p>It only support DE mode, and the input timing are shown as the following table.</p> <table border="1"> <thead> <tr> <th>Symbol</th> <th>Description</th> <th>Min.</th> <th>Typ.</th> <th>Max.</th> <th>Unit</th> <th>Remark</th> </tr> </thead> <tbody> <tr> <td rowspan="3">T_v</td> <td rowspan="3">Vertical Section</td> <td>Period</td> <td>1092</td> <td>1130</td> <td>1818</td> <td>Th</td> <td></td> </tr> <tr> <td>Active</td> <td>1080</td> <td>1080</td> <td>1080</td> <td>Th</td> <td></td> </tr> <tr> <td>Blanking</td> <td>12</td> <td>50</td> <td>738</td> <td>Th</td> <td></td> </tr> <tr> <td rowspan="2">F_v</td> <td rowspan="2">Frequency</td> <td></td> <td>50</td> <td>60</td> <td>76</td> <td>Hz</td> <td></td> </tr> <tr> <td></td> <td></td> <td></td> <td></td> <td></td> <td></td> </tr> <tr> <td rowspan="3">T_h</td> <td rowspan="3">Horizontal Section</td> <td>Period</td> <td>1034</td> <td>1050</td> <td>1100</td> <td>Tclk</td> <td></td> </tr> <tr> <td>Active</td> <td>960</td> <td>960</td> <td>960</td> <td>Tclk</td> <td></td> </tr> <tr> <td>Blanking</td> <td>74</td> <td>90</td> <td>140</td> <td>Tclk</td> <td></td> </tr> <tr> <td rowspan="2">F_h</td> <td rowspan="2">Frequency</td> <td></td> <td>55</td> <td>68</td> <td>91</td> <td>KHz</td> <td>Note 3-3</td> </tr> <tr> <td></td> <td></td> <td></td> <td></td> <td></td> <td></td> </tr> <tr> <td rowspan="2">T_{clk}</td> <td rowspan="2">LVDS Clock</td> <td>Period</td> <td>10.6</td> <td>14.0</td> <td>17.7</td> <td>ns</td> <td>1/Fclk</td> </tr> <tr> <td>Frequency</td> <td>56.5</td> <td>71.2</td> <td>94.0</td> <td>MHz</td> <td>Note 3-4</td> </tr> </tbody> </table>	Symbol	Description	Min.	Typ.	Max.	Unit	Remark	T _v	Vertical Section	Period	1092	1130	1818	Th		Active	1080	1080	1080	Th		Blanking	12	50	738	Th		F _v	Frequency		50	60	76	Hz								T _h	Horizontal Section	Period	1034	1050	1100	Tclk		Active	960	960	960	Tclk		Blanking	74	90	140	Tclk		F _h	Frequency		55	68	91	KHz	Note 3-3							T _{clk}	LVDS Clock	Period	10.6	14.0	17.7	ns	1/Fclk	Frequency	56.5	71.2	94.0	MHz	Note 3-4	<p>3.4.5 Input Timing Specification</p> <p>It only support DE mode, and the input timing are shown as the following table.</p> <table border="1"> <thead> <tr> <th>Symbol</th> <th>Description</th> <th>Min.</th> <th>Typ.</th> <th>Max.</th> <th>Unit</th> <th>Remark</th> </tr> </thead> <tbody> <tr> <td rowspan="3">T_v</td> <td rowspan="3">Vertical Section</td> <td>Period</td> <td>1092</td> <td>1130</td> <td>1793</td> <td>Th</td> <td>T_v</td> </tr> <tr> <td>Active</td> <td>1080</td> <td>1080</td> <td>1080</td> <td>Th</td> <td>T_{disp (v)}</td> </tr> <tr> <td>Blanking</td> <td>12</td> <td>50</td> <td>713</td> <td>Th</td> <td>T_{blk (v)}</td> </tr> <tr> <td rowspan="2">F_v</td> <td rowspan="2">Frequency</td> <td></td> <td>50</td> <td>60</td> <td>76</td> <td>Hz</td> <td>F_v</td> </tr> <tr> <td></td> <td></td> <td></td> <td></td> <td></td> <td></td> </tr> <tr> <td rowspan="3">T_h</td> <td rowspan="3">Horizontal Section</td> <td>Period</td> <td>1004</td> <td>1050</td> <td>1100</td> <td>Tclk</td> <td>T_h</td> </tr> <tr> <td>Active</td> <td>960</td> <td>960</td> <td>960</td> <td>Tclk</td> <td>T_{disp (h)}</td> </tr> <tr> <td>Blanking</td> <td>44</td> <td>90</td> <td>140</td> <td>Tclk</td> <td>T_{blk (h)}</td> </tr> <tr> <td rowspan="2">F_h</td> <td rowspan="2">Frequency</td> <td></td> <td>55</td> <td>68</td> <td>90</td> <td>KHz</td> <td>F_h</td> </tr> <tr> <td></td> <td></td> <td></td> <td></td> <td></td> <td></td> </tr> <tr> <td rowspan="2">T_{clk}</td> <td rowspan="2">LVDS Clock</td> <td>Period</td> <td>11.1</td> <td>14.0</td> <td>18.2</td> <td>ns</td> <td>T_{clk}</td> </tr> <tr> <td>Frequency</td> <td>54.8</td> <td>71.2</td> <td>90.0</td> <td>MHz</td> <td>F_{clk}</td> </tr> </tbody> </table>	Symbol	Description	Min.	Typ.	Max.	Unit	Remark	T _v	Vertical Section	Period	1092	1130	1793	Th	T _v	Active	1080	1080	1080	Th	T _{disp (v)}	Blanking	12	50	713	Th	T _{blk (v)}	F _v	Frequency		50	60	76	Hz	F _v							T _h	Horizontal Section	Period	1004	1050	1100	Tclk	T _h	Active	960	960	960	Tclk	T _{disp (h)}	Blanking	44	90	140	Tclk	T _{blk (h)}	F _h	Frequency		55	68	90	KHz	F _h							T _{clk}	LVDS Clock	Period	11.1	14.0	18.2	ns	T _{clk}	Frequency	54.8	71.2	90.0	MHz	F _{clk}	
Symbol	Description	Min.	Typ.	Max.	Unit	Remark																																																																																																																																																																																	
T _v	Vertical Section	Period	1092	1130	1818	Th																																																																																																																																																																																	
		Active	1080	1080	1080	Th																																																																																																																																																																																	
		Blanking	12	50	738	Th																																																																																																																																																																																	
F _v	Frequency		50	60	76	Hz																																																																																																																																																																																	
T _h	Horizontal Section	Period	1034	1050	1100	Tclk																																																																																																																																																																																	
		Active	960	960	960	Tclk																																																																																																																																																																																	
		Blanking	74	90	140	Tclk																																																																																																																																																																																	
F _h	Frequency		55	68	91	KHz	Note 3-3																																																																																																																																																																																
T _{clk}	LVDS Clock	Period	10.6	14.0	17.7	ns	1/Fclk																																																																																																																																																																																
		Frequency	56.5	71.2	94.0	MHz	Note 3-4																																																																																																																																																																																
Symbol	Description	Min.	Typ.	Max.	Unit	Remark																																																																																																																																																																																	
T _v	Vertical Section	Period	1092	1130	1793	Th	T _v																																																																																																																																																																																
		Active	1080	1080	1080	Th	T _{disp (v)}																																																																																																																																																																																
		Blanking	12	50	713	Th	T _{blk (v)}																																																																																																																																																																																
F _v	Frequency		50	60	76	Hz	F _v																																																																																																																																																																																
T _h	Horizontal Section	Period	1004	1050	1100	Tclk	T _h																																																																																																																																																																																
		Active	960	960	960	Tclk	T _{disp (h)}																																																																																																																																																																																
		Blanking	44	90	140	Tclk	T _{blk (h)}																																																																																																																																																																																
F _h	Frequency		55	68	90	KHz	F _h																																																																																																																																																																																
T _{clk}	LVDS Clock	Period	11.1	14.0	18.2	ns	T _{clk}																																																																																																																																																																																
		Frequency	54.8	71.2	90.0	MHz	F _{clk}																																																																																																																																																																																
1.0.2	2015/01/19	22	<p>Power Sequence Timing</p> <table border="1"> <thead> <tr> <th>Symbol</th> <th>Value</th> <th>Unit</th> <th>Remark</th> </tr> </thead> <tbody> <tr> <td>T1</td> <td>0.5</td> <td>-</td> <td>10 [ms]</td> </tr> <tr> <td>T2</td> <td>0</td> <td>-</td> <td>50 [ms]</td> </tr> <tr> <td>T3</td> <td>500</td> <td>-</td> <td>- [ms]</td> </tr> <tr> <td>T4</td> <td>100</td> <td>-</td> <td>- [ms]</td> </tr> <tr> <td>T5</td> <td>0</td> <td>-</td> <td>50 [ms]</td> </tr> <tr> <td>T6</td> <td>0</td> <td>-</td> <td>- [ms]</td> </tr> <tr> <td>T7</td> <td>1000</td> <td>-</td> <td>- [ms]</td> </tr> </tbody> </table>	Symbol	Value	Unit	Remark	T1	0.5	-	10 [ms]	T2	0	-	50 [ms]	T3	500	-	- [ms]	T4	100	-	- [ms]	T5	0	-	50 [ms]	T6	0	-	- [ms]	T7	1000	-	- [ms]	<p>Power Sequence Timing</p> <table border="1"> <thead> <tr> <th>Symbol</th> <th>Value</th> <th>Unit</th> <th>Remark</th> </tr> </thead> <tbody> <tr> <td>T1</td> <td>0.5</td> <td>-</td> <td>10 [ms]</td> </tr> <tr> <td>T2</td> <td>0</td> <td>-</td> <td>50 [ms]</td> </tr> <tr> <td>T3</td> <td>500</td> <td>-</td> <td>- [ms]</td> </tr> <tr> <td>T4</td> <td>100</td> <td>-</td> <td>- [ms]</td> </tr> <tr> <td>T5</td> <td>0</td> <td>-</td> <td>50 [ms]</td> </tr> <tr> <td>T7</td> <td>1000</td> <td>-</td> <td>- [ms]</td> </tr> </tbody> </table>	Symbol	Value	Unit	Remark	T1	0.5	-	10 [ms]	T2	0	-	50 [ms]	T3	500	-	- [ms]	T4	100	-	- [ms]	T5	0	-	50 [ms]	T7	1000	-	- [ms]																																																																																																																							
Symbol	Value	Unit	Remark																																																																																																																																																																																				
T1	0.5	-	10 [ms]																																																																																																																																																																																				
T2	0	-	50 [ms]																																																																																																																																																																																				
T3	500	-	- [ms]																																																																																																																																																																																				
T4	100	-	- [ms]																																																																																																																																																																																				
T5	0	-	50 [ms]																																																																																																																																																																																				
T6	0	-	- [ms]																																																																																																																																																																																				
T7	1000	-	- [ms]																																																																																																																																																																																				
Symbol	Value	Unit	Remark																																																																																																																																																																																				
T1	0.5	-	10 [ms]																																																																																																																																																																																				
T2	0	-	50 [ms]																																																																																																																																																																																				
T3	500	-	- [ms]																																																																																																																																																																																				
T4	100	-	- [ms]																																																																																																																																																																																				
T5	0	-	50 [ms]																																																																																																																																																																																				
T7	1000	-	- [ms]																																																																																																																																																																																				
1.0.3	2015/02/10	32																																																																																																																																																																																					
1.0.3	2015/02/10	33																																																																																																																																																																																					
1.1	2015/02/26	15	<p>3.3.2 Recommended Operating Condition</p> <table border="1"> <thead> <tr> <th>Symbol</th> <th>Description</th> <th>Min</th> <th>Typ</th> <th>Max</th> <th>Unit</th> <th>Remark</th> </tr> </thead> <tbody> <tr> <td>VDD</td> <td>Power supply Input voltage</td> <td>4.5</td> <td>5.0</td> <td>5.5</td> <td>[V_{olt}]</td> <td></td> </tr> <tr> <td rowspan="2">IDD</td> <td rowspan="2">Power supply Input Current (μA)</td> <td>0.62</td> <td>0.74</td> <td>-</td> <td>[A]</td> <td>VDD=5.0V, Black Pattern, Fv=60Hz</td> </tr> <tr> <td>0.7</td> <td>0.84</td> <td>-</td> <td>[A]</td> <td>VDD=5.0V, Black Pattern, Fv=75Hz</td> </tr> <tr> <td rowspan="2">PDD</td> <td rowspan="2">VDD Power Consumption</td> <td>3.1</td> <td>3.7</td> <td>-</td> <td>[Watt]</td> <td>VDD=5.0V, Black Pattern, Fv=60Hz</td> </tr> <tr> <td>3.5</td> <td>4.2</td> <td>-</td> <td>[Watt]</td> <td>VDD=5.0V, Black Pattern, Fv=75Hz</td> </tr> <tr> <td>IRush</td> <td>Inrush Current</td> <td>-</td> <td>-</td> <td>3.0</td> <td>[A]</td> <td>Note 3-1</td> </tr> <tr> <td>VDD_{rip}</td> <td>Allowable VDD Ripple Voltage</td> <td>-</td> <td>-</td> <td>500</td> <td>[mV]</td> <td>VDD=5.0V, Black Pattern, Fv=75Hz</td> </tr> </tbody> </table>	Symbol	Description	Min	Typ	Max	Unit	Remark	VDD	Power supply Input voltage	4.5	5.0	5.5	[V _{olt}]		IDD	Power supply Input Current (μA)	0.62	0.74	-	[A]	VDD=5.0V, Black Pattern, Fv=60Hz	0.7	0.84	-	[A]	VDD=5.0V, Black Pattern, Fv=75Hz	PDD	VDD Power Consumption	3.1	3.7	-	[Watt]	VDD=5.0V, Black Pattern, Fv=60Hz	3.5	4.2	-	[Watt]	VDD=5.0V, Black Pattern, Fv=75Hz	IRush	Inrush Current	-	-	3.0	[A]	Note 3-1	VDD _{rip}	Allowable VDD Ripple Voltage	-	-	500	[mV]	VDD=5.0V, Black Pattern, Fv=75Hz	<p>3.3.2 Recommended Operating Condition</p> <table border="1"> <thead> <tr> <th>Symbol</th> <th>Description</th> <th>Min</th> <th>Typ</th> <th>Max</th> <th>Unit</th> <th>Remark</th> </tr> </thead> <tbody> <tr> <td>VDD</td> <td>Power supply Input voltage</td> <td>4.5</td> <td>5.0</td> <td>5.5</td> <td>[V_{olt}]</td> <td></td> </tr> <tr> <td rowspan="2">IDD</td> <td rowspan="2">Power supply Input Current (μA)</td> <td>0.62</td> <td>0.74</td> <td>-</td> <td>[A]</td> <td>VDD=5.0V, All white Pattern, Fv=60Hz</td> </tr> <tr> <td>0.7</td> <td>0.84</td> <td>-</td> <td>[A]</td> <td>VDD=5.0V, All white Pattern, Fv=75Hz</td> </tr> <tr> <td rowspan="2">PDD</td> <td rowspan="2">VDD Power Consumption</td> <td>3.1</td> <td>3.7</td> <td>-</td> <td>[Watt]</td> <td>VDD=5.0V, All white Pattern, Fv=60Hz</td> </tr> <tr> <td>3.5</td> <td>4.2</td> <td>-</td> <td>[Watt]</td> <td>VDD=5.0V, All white Pattern, Fv=75Hz</td> </tr> <tr> <td>IRush</td> <td>Inrush Current</td> <td>-</td> <td>-</td> <td>3.0</td> <td>[A]</td> <td>Note 3-1</td> </tr> <tr> <td>VDD_{rip}</td> <td>Allowable VDD Ripple Voltage</td> <td>-</td> <td>-</td> <td>500</td> <td>[mV]</td> <td>VDD=5.0V, All white Pattern, Fv=75Hz</td> </tr> </tbody> </table>	Symbol	Description	Min	Typ	Max	Unit	Remark	VDD	Power supply Input voltage	4.5	5.0	5.5	[V _{olt}]		IDD	Power supply Input Current (μA)	0.62	0.74	-	[A]	VDD=5.0V, All white Pattern, Fv=60Hz	0.7	0.84	-	[A]	VDD=5.0V, All white Pattern, Fv=75Hz	PDD	VDD Power Consumption	3.1	3.7	-	[Watt]	VDD=5.0V, All white Pattern, Fv=60Hz	3.5	4.2	-	[Watt]	VDD=5.0V, All white Pattern, Fv=75Hz	IRush	Inrush Current	-	-	3.0	[A]	Note 3-1	VDD _{rip}	Allowable VDD Ripple Voltage	-	-	500	[mV]	VDD=5.0V, All white Pattern, Fv=75Hz																																																																											
Symbol	Description	Min	Typ	Max	Unit	Remark																																																																																																																																																																																	
VDD	Power supply Input voltage	4.5	5.0	5.5	[V _{olt}]																																																																																																																																																																																		
IDD	Power supply Input Current (μA)	0.62	0.74	-	[A]	VDD=5.0V, Black Pattern, Fv=60Hz																																																																																																																																																																																	
		0.7	0.84	-	[A]	VDD=5.0V, Black Pattern, Fv=75Hz																																																																																																																																																																																	
PDD	VDD Power Consumption	3.1	3.7	-	[Watt]	VDD=5.0V, Black Pattern, Fv=60Hz																																																																																																																																																																																	
		3.5	4.2	-	[Watt]	VDD=5.0V, Black Pattern, Fv=75Hz																																																																																																																																																																																	
IRush	Inrush Current	-	-	3.0	[A]	Note 3-1																																																																																																																																																																																	
VDD _{rip}	Allowable VDD Ripple Voltage	-	-	500	[mV]	VDD=5.0V, Black Pattern, Fv=75Hz																																																																																																																																																																																	
Symbol	Description	Min	Typ	Max	Unit	Remark																																																																																																																																																																																	
VDD	Power supply Input voltage	4.5	5.0	5.5	[V _{olt}]																																																																																																																																																																																		
IDD	Power supply Input Current (μA)	0.62	0.74	-	[A]	VDD=5.0V, All white Pattern, Fv=60Hz																																																																																																																																																																																	
		0.7	0.84	-	[A]	VDD=5.0V, All white Pattern, Fv=75Hz																																																																																																																																																																																	
PDD	VDD Power Consumption	3.1	3.7	-	[Watt]	VDD=5.0V, All white Pattern, Fv=60Hz																																																																																																																																																																																	
		3.5	4.2	-	[Watt]	VDD=5.0V, All white Pattern, Fv=75Hz																																																																																																																																																																																	
IRush	Inrush Current	-	-	3.0	[A]	Note 3-1																																																																																																																																																																																	
VDD _{rip}	Allowable VDD Ripple Voltage	-	-	500	[mV]	VDD=5.0V, All white Pattern, Fv=75Hz																																																																																																																																																																																	

1.1	2015/02/26	33	<p>8 Packing Specification 8.1 Packing Flow</p> <p>1. Panel 2. Panel with cushion 3. Panel with cushion and T-COAT 4. Panel with cushion and T-COAT and FET 5. Panel with cushion and T-COAT and FET and EPE cushion 6. Panel with cushion and T-COAT and FET and EPE cushion and FET band 7. Panel with cushion and T-COAT and FET and EPE cushion and FET band and stretch film 8. Panel with cushion and T-COAT and FET and EPE cushion and FET band and stretch film and wooden pallet</p> <p>Single pallet stack illustration</p>	<p>8.2 Pallet and shipment information</p> <table border="1"> <thead> <tr> <th rowspan="2">Item</th> <th rowspan="2">Qty</th> <th colspan="2">Specification</th> <th rowspan="2">Weight(kg)</th> <th rowspan="2">Remark</th> </tr> <tr> <th>Dimension</th> <th>Weight(kg)</th> </tr> </thead> <tbody> <tr> <td>Panel</td> <td>1</td> <td>495.6(L)mm x 292.2(W)mm x 10.6(D)mm</td> <td>1.75</td> <td></td> <td></td> </tr> <tr> <td>Cushion</td> <td>4</td> <td>-</td> <td>0.24</td> <td></td> <td></td> </tr> <tr> <td>Box</td> <td>1</td> <td>557(L)mm x 345(W)mm x 37.5(H)mm</td> <td>1.37</td> <td></td> <td>without Panel & cushion</td> </tr> <tr> <td>Packing Box</td> <td>13 pcs/Box</td> <td>557(L)mm x 345(W)mm x 37.5(H)mm</td> <td>23.7</td> <td></td> <td>with panel & cushion</td> </tr> <tr> <td>Pallet</td> <td>1</td> <td>1150(L)mm x 1070(W)mm x 132(H)mm</td> <td>14.20</td> <td></td> <td></td> </tr> <tr> <td>Pallet after Packing</td> <td>13 boxes/pallet</td> <td>1150(L)mm x 1070(W)mm x 132(H)mm</td> <td>476.8</td> <td></td> <td></td> </tr> </tbody> </table>	Item	Qty	Specification		Weight(kg)	Remark	Dimension	Weight(kg)	Panel	1	495.6(L)mm x 292.2(W)mm x 10.6(D)mm	1.75			Cushion	4	-	0.24			Box	1	557(L)mm x 345(W)mm x 37.5(H)mm	1.37		without Panel & cushion	Packing Box	13 pcs/Box	557(L)mm x 345(W)mm x 37.5(H)mm	23.7		with panel & cushion	Pallet	1	1150(L)mm x 1070(W)mm x 132(H)mm	14.20			Pallet after Packing	13 boxes/pallet	1150(L)mm x 1070(W)mm x 132(H)mm	476.8																																														
Item	Qty	Specification		Weight(kg)			Remark																																																																																					
		Dimension	Weight(kg)																																																																																									
Panel	1	495.6(L)mm x 292.2(W)mm x 10.6(D)mm	1.75																																																																																									
Cushion	4	-	0.24																																																																																									
Box	1	557(L)mm x 345(W)mm x 37.5(H)mm	1.37		without Panel & cushion																																																																																							
Packing Box	13 pcs/Box	557(L)mm x 345(W)mm x 37.5(H)mm	23.7		with panel & cushion																																																																																							
Pallet	1	1150(L)mm x 1070(W)mm x 132(H)mm	14.20																																																																																									
Pallet after Packing	13 boxes/pallet	1150(L)mm x 1070(W)mm x 132(H)mm	476.8																																																																																									
1.1	2015/02/26	34	<p>8.2 Pallet and shipment information</p> <table border="1"> <thead> <tr> <th rowspan="2">Item</th> <th rowspan="2">Qty</th> <th colspan="2">Specification</th> <th rowspan="2">Weight(kg)</th> <th rowspan="2">Remark</th> </tr> <tr> <th>Dimension</th> <th>Weight(kg)</th> </tr> </thead> <tbody> <tr> <td>Panel</td> <td>1</td> <td>495.6(L)mm x 292.2(W)mm x 10.6(D)mm</td> <td>1.75</td> <td></td> <td></td> </tr> <tr> <td>Cushion</td> <td>4</td> <td>-</td> <td>0.24</td> <td></td> <td></td> </tr> <tr> <td>Box</td> <td>1</td> <td>557(L)mm x 345(W)mm x 37.5(H)mm</td> <td>1.37</td> <td></td> <td>without Panel & cushion</td> </tr> <tr> <td>Packing Box</td> <td>13 pcs/Box</td> <td>557(L)mm x 345(W)mm x 37.5(H)mm</td> <td>23.7</td> <td></td> <td>with panel & cushion</td> </tr> <tr> <td>Pallet</td> <td>1</td> <td>1150(L)mm x 1070(W)mm x 132(H)mm</td> <td>14.20</td> <td></td> <td></td> </tr> <tr> <td>Pallet after Packing</td> <td>13 boxes/pallet</td> <td>1150(L)mm x 1070(W)mm x 132(H)mm</td> <td>476.8</td> <td></td> <td></td> </tr> </tbody> </table>	Item	Qty	Specification		Weight(kg)	Remark	Dimension	Weight(kg)	Panel	1	495.6(L)mm x 292.2(W)mm x 10.6(D)mm	1.75			Cushion	4	-	0.24			Box	1	557(L)mm x 345(W)mm x 37.5(H)mm	1.37		without Panel & cushion	Packing Box	13 pcs/Box	557(L)mm x 345(W)mm x 37.5(H)mm	23.7		with panel & cushion	Pallet	1	1150(L)mm x 1070(W)mm x 132(H)mm	14.20			Pallet after Packing	13 boxes/pallet	1150(L)mm x 1070(W)mm x 132(H)mm	476.8			<p>8.2 Pallet and shipment information</p> <table border="1"> <thead> <tr> <th rowspan="2">Item</th> <th rowspan="2">Qty</th> <th colspan="2">Specification</th> <th rowspan="2">Weight(kg)</th> <th rowspan="2">Remark</th> </tr> <tr> <th>Dimension</th> <th>Weight(kg)</th> </tr> </thead> <tbody> <tr> <td>Panel</td> <td>1</td> <td>495.6(L)mm x 292.2(W)mm x 10.6(D)mm</td> <td>1.67</td> <td></td> <td>without Panel & cushion</td> </tr> <tr> <td>Cushion</td> <td>1</td> <td>-</td> <td>0.38</td> <td></td> <td>without Panel & cushion</td> </tr> <tr> <td>Box</td> <td>1</td> <td>556(L)mm x 350(W)mm x 37.5(H)mm</td> <td>0.95</td> <td></td> <td>Note 1</td> </tr> <tr> <td>Packing Box</td> <td>11 pcs/Box</td> <td>406(L)mm x 281(W)mm x 65(H)mm</td> <td>22.1</td> <td></td> <td>with panel & cushion</td> </tr> <tr> <td>Pallet</td> <td>1</td> <td>1150(L)mm x 910(W)mm x 132(H)mm</td> <td>12</td> <td></td> <td>Note 1</td> </tr> <tr> <td>Pallet after Packing</td> <td>11 boxes/pallet</td> <td>1150(L)mm x 910(W)mm x 132(H)mm</td> <td>385</td> <td></td> <td>Note 1</td> </tr> </tbody> </table> <p>Note 1: Estimated value which is subject to change based on real measured data.</p>	Item	Qty	Specification		Weight(kg)	Remark	Dimension	Weight(kg)	Panel	1	495.6(L)mm x 292.2(W)mm x 10.6(D)mm	1.67		without Panel & cushion	Cushion	1	-	0.38		without Panel & cushion	Box	1	556(L)mm x 350(W)mm x 37.5(H)mm	0.95		Note 1	Packing Box	11 pcs/Box	406(L)mm x 281(W)mm x 65(H)mm	22.1		with panel & cushion	Pallet	1	1150(L)mm x 910(W)mm x 132(H)mm	12		Note 1	Pallet after Packing	11 boxes/pallet	1150(L)mm x 910(W)mm x 132(H)mm	385		Note 1
Item	Qty	Specification				Weight(kg)	Remark																																																																																					
		Dimension	Weight(kg)																																																																																									
Panel	1	495.6(L)mm x 292.2(W)mm x 10.6(D)mm	1.75																																																																																									
Cushion	4	-	0.24																																																																																									
Box	1	557(L)mm x 345(W)mm x 37.5(H)mm	1.37		without Panel & cushion																																																																																							
Packing Box	13 pcs/Box	557(L)mm x 345(W)mm x 37.5(H)mm	23.7		with panel & cushion																																																																																							
Pallet	1	1150(L)mm x 1070(W)mm x 132(H)mm	14.20																																																																																									
Pallet after Packing	13 boxes/pallet	1150(L)mm x 1070(W)mm x 132(H)mm	476.8																																																																																									
Item	Qty	Specification		Weight(kg)	Remark																																																																																							
		Dimension	Weight(kg)																																																																																									
Panel	1	495.6(L)mm x 292.2(W)mm x 10.6(D)mm	1.67		without Panel & cushion																																																																																							
Cushion	1	-	0.38		without Panel & cushion																																																																																							
Box	1	556(L)mm x 350(W)mm x 37.5(H)mm	0.95		Note 1																																																																																							
Packing Box	11 pcs/Box	406(L)mm x 281(W)mm x 65(H)mm	22.1		with panel & cushion																																																																																							
Pallet	1	1150(L)mm x 910(W)mm x 132(H)mm	12		Note 1																																																																																							
Pallet after Packing	11 boxes/pallet	1150(L)mm x 910(W)mm x 132(H)mm	385		Note 1																																																																																							

1 Handling Precautions

- 1) Since front polarizer is easily damaged, pay attention not to scratch it.
- 2) Be sure to turn off power supply when inserting or disconnecting from input connector.
- 3) Wipe off water drop immediately. Long contact with water may cause discoloration or spots.
- 4) When the panel surface is soiled, wipe it with absorbent cotton or other soft cloth.
- 5) Since the panel is made of glass, it may break or crack if dropped or bumped on hard surface.
- 6) Since CMOS LSI is used in this module, take care of static electricity and insure human earth when handling.
- 7) Do not open or modify the Module Assembly.
- 8) Do not press the reflector sheet at the back of the module to any directions.
- 9) In case a TFT-LCD Module has to be put back into the packing container slot after once it was taken out from the container, do not press the center of the LED lightbar edge. Otherwise the TFT-LCD Module may be damaged.
- 10) Insert or pull out the interface connector, be sure not to rotate nor tilt it of the TFT-LCD Module.
- 11) Do not twist nor bend the TFT -LCD Module even momentary. It should be taken into consideration that no bending/twisting forces are applied to the TFT-LCD Module from outside. Otherwise the TFT-LCD Module may be damaged.
- 12) Please avoid touching COF position while you are doing mechanical design.
- 13) When storing modules as spares for a long time, the following precaution is necessary:
Store them in a dark place. Do not expose the module to sunlight or fluorescent light. Keep the temperature between 5 and 35 at normal humidity.

2 General Description

This specification applies to the 21.5 inch wide Color a-Si TFT-LCD Module T215HVN01.1. The display supports the Full HD - 1920(H) x 1080(V) screen format and 16.7M colors (8 bits RGB data input). The input interface is Dual channel LVDS and this module doesn't contain an driver board for backlight.

2.1 Display Characteristics

The following items are characteristics summary on the table under 25 condition:

ITEMS	Unit	SPECIFICATIONS
Screen Diagonal	[mm]	546.86 (21.53")
Active Area	[mm]	476.64 (H) x 268.11 (V)
Pixels H x V	-	1920(x3) x 1080
Pixel Pitch	[um]	248.25 (per one triad) x248.25
Pixel Arrangement	-	R.G.B. Vertical Stripe
Display Mode	-	VA Mode, Normally Black
White Luminance (Center)	[cd/m ²]	250 (Typ.)
Contrast Ratio	-	3000 (Typ.)
Response Time	[msec]	18ms (Typ., on/off)
Power Consumption (LCD Module + Backligh unit)	[Watt]	15.2 (Typ.) LCD module : PDD (Typ.)= 3.1 @ all white pattern, Fv=60Hz Backlight unit : P _{BLU} (Typ.) =12.1 @ Is=65mA
Weight	[Grams]	1670
Outline Dimension	[mm]	495.6(H) x 292.2(V) x 10.6(D) Typ.
Electrical Interface	-	Dual channel LVDS , 8 bits RGB data input
Support Color	-	16.7M colors
Surface Treatment	-	Anti-Glare, 3H
Temperature Range		
Operating	[°C]	0 to +50
Storage (Shipping)	[°C]	-20 to +60
RoHS Compliance	-	RoHS Compliance
TCO Compliance	-	TCO 6.0 Compliance

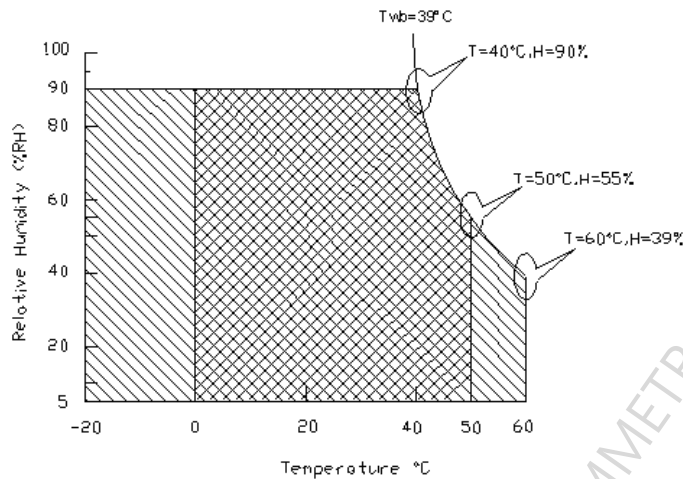
2.2 Absolute Maximum Rating of Environment

Permanent damage may occur if exceeding the following maximum rating.

Symbol	Description	Min.	Max.	Unit	Remark
TOP	Operating Temperature	0	+50	[°C]	Note 2-1
TGS	Glass surface temperature (operation)	0	+65	[°C]	Note 2-1 Function judged only
HOP	Operation Humidity	5	90	[%RH]	Note 2-1
TST	Storage Temperature	-20	+60	[°C]	
HST	Storage Humidity	5	90	[%RH]	

Note 2-1: Temperature and relative humidity range are shown as the below figure.

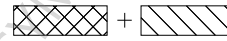
1. 90% RH Max (Ta 39)
2. Max wet-bulb temperature at 39 or less. (Ta 39)
3. No condensation



Operating Range



Storage Range



2.3 Optical Characteristics

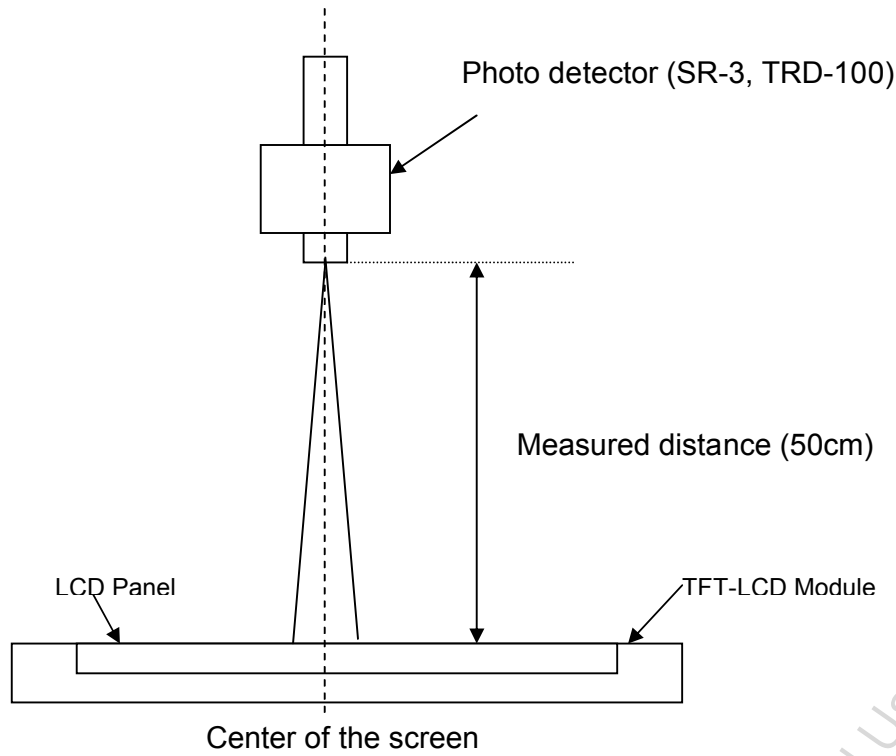
The optical characteristics are measured on the following test condition.

Test Condition:

1. Equipment setup: Please refer to **Note 2-2**.
2. Panel Lighting time: 30 minutes
3. VDD=5.0V, Fv=60Hz, Is=65mA, Ta=25

Symbol	Description		Min.	Typ.	Max.	Unit	Remark
L _w	White Luminance (Center of screen)		200	250	-	[cd/m ²]	Note 2-2 By SR-3
L _{uni}	Luminance Uniformity (9 points)		75	80	-	[%]	Note 2-3 By SR-3
CR	Contrast Ratio (Center of screen)		2000	3000	-	-	Note 2-4 By SR-3
θ _R	Horizontal Viewing Angle (CR=10)	Right	75	89	-	[degree]	Note 2-5 By SR-3
θ _L		Left	75	89	-		
Φ _H	Vertical Viewing Angle (CR=10)	Up	75	89	-		
Φ _L		Down	75	89	-		
θ _R	Horizontal Viewing Angle (CR=5)	Right	75	89	-		
θ _L		Left	75	89	-		
Φ _H	Vertical Viewing Angle (CR=5)	Up	75	89	-		
Φ _L		Down	75	89	-		
T _R	Response Time	Rising Time	-	13	28	[msec]	Note 2-6 By TRD-100
T _F		Falling Time	-	5	8		
-		Rising + Falling	-	18	36		
R _x	Color Coordinates (CIE 1931)	Red x	0.622	0.652	0.682	-	By SR-3
R _y		Red y	0.305	0.335	0.365		
G _x		Green x	0.291	0.321	0.351		
G _y		Green y	0.595	0.625	0.655		
B _x		Blue x	0.123	0.153	0.183		
B _y		Blue y	0.037	0.067	0.097		
W _x		White x	0.283	0.313	0.343		
W _y		White y	0.299	0.329	0.359		
NTSC Area Ratio				72		[%]	By SR-3
CT	Crosstalk		-	-	2.0	[%]	Note 2-7 By SR-3
F _{dB}	Flicker (Center of screen)		-	-	-20	[dB]	Note 2-8 By SR-3

Note 2-2: Equipment setup :

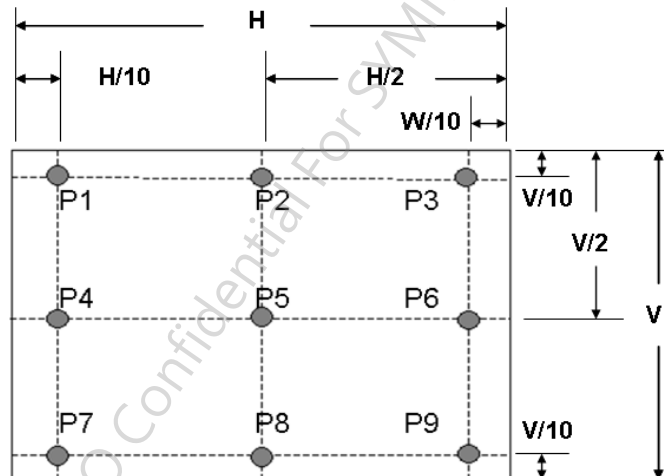


Note 2-3: Luminance Uniformity Measurement

Definition:

$$\text{Luminance Uniformity} = \frac{\text{Minimum Luminance of 9 Points (P1 ~ P9)}}{\text{Maximum Luminance of 9 Points (P1 ~ P9)}}$$

a. Test pattern: White Pattern



Note 2-4: Contrast Ratio Measurement

Definition:

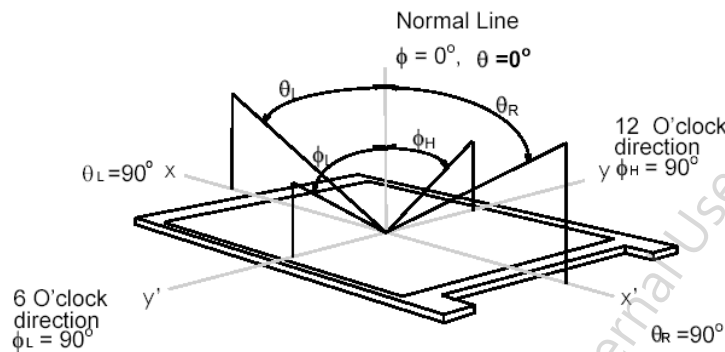
$$\text{Contrast Ratio} = \frac{\text{Luminance of White pattern}}{\text{Luminance of Black pattern}}$$

- a. Measured position: Center of screen (P5) & perpendicular to the screen ($\theta = \Phi = 0^\circ$)

Note 2-5: Viewing angle measurement

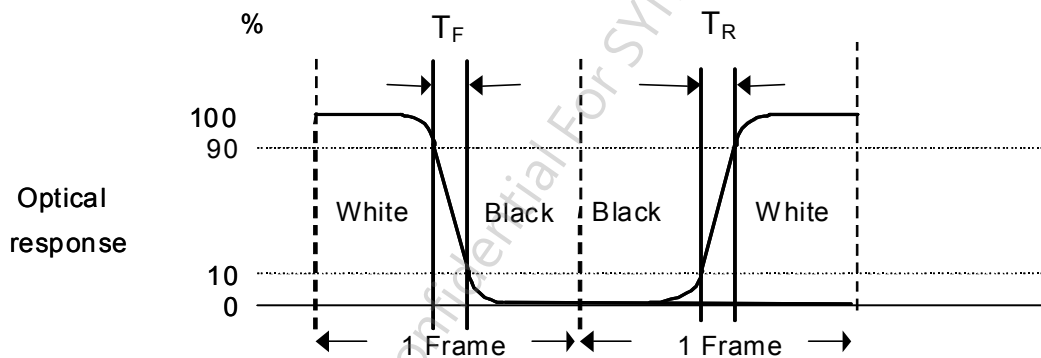
Definition: The angle at which the contrast ratio is greater than 10 & 5 .

- a. Horizontal view angle: Divide to left & right (θ_L & θ_R)
Vertical view angle: Divide to up & down (Φ_H & Φ_L)



Note 2-6: Response time measurement

The output signals of photo detector are measured when the input signals are changed from “Black” to “White” (rising time, T_R), and from “White” to “Black” (falling time, T_F), respectively. The response time is interval between the 10% and 90% of optical response. (*Black & White color definition: Please refer section 3.4.3*)



Note 2-7: Crosstalk measurement

Definition:

$$CT = \text{Max. } (CT_H, CT_V);$$

Where

a. Maximum Horizontal Crosstalk :

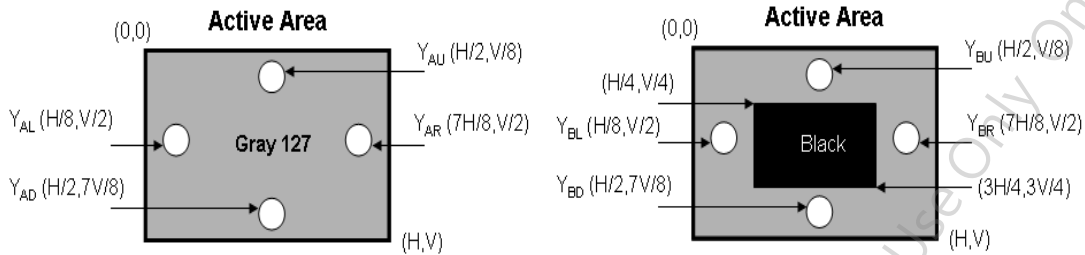
$$CT_H = \text{Max. } (| Y_{BL} - Y_{AL} | / Y_{AL} \times 100 \%, | Y_{BR} - Y_{AR} | / Y_{AR} \times 100 \%);$$

Maximum Vertical Crosstalk:

$$CT_V = \text{Max. } (| Y_{BU} - Y_{AU} | / Y_{AU} \times 100 \%, | Y_{BD} - Y_{AD} | / Y_{AD} \times 100 \%);$$

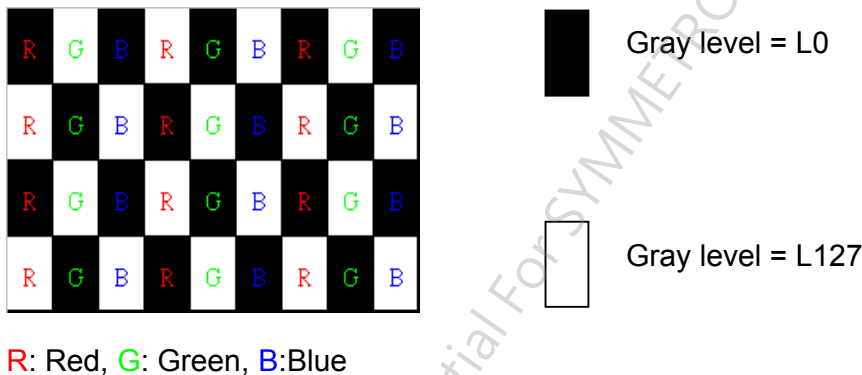
b. $Y_{AU}, Y_{AD}, Y_{AL}, Y_{AR}$ = Luminance of measured location without Black pattern

$Y_{BU}, Y_{BD}, Y_{BL}, Y_{BR}$ = Luminance of measured location with Black pattern



Note 2-8: Flicker measurement

a. Test pattern: It is listed as following.

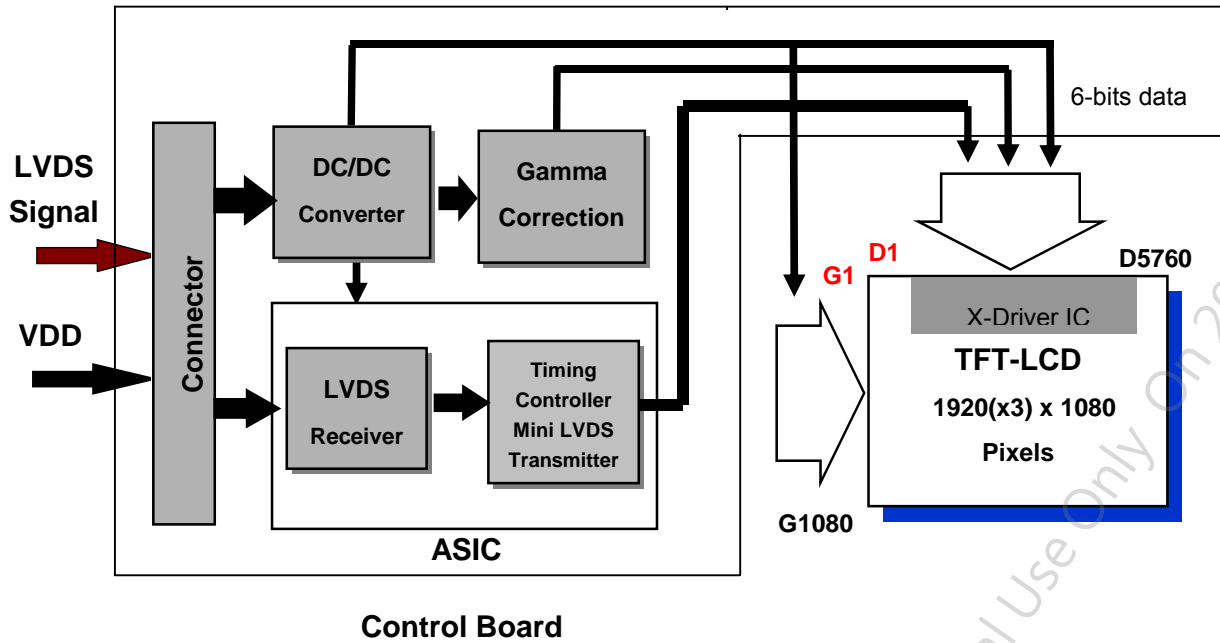


b. Measured position: Center of screen (P5) & perpendicular to the screen ($\theta = \Phi = 0^\circ$)

3 TFT-LCD Module

3.1 Block Diagram

The following shows the block diagram of the 21.5 inch Color TFT-LCD Module.



3.2 Interface Connection

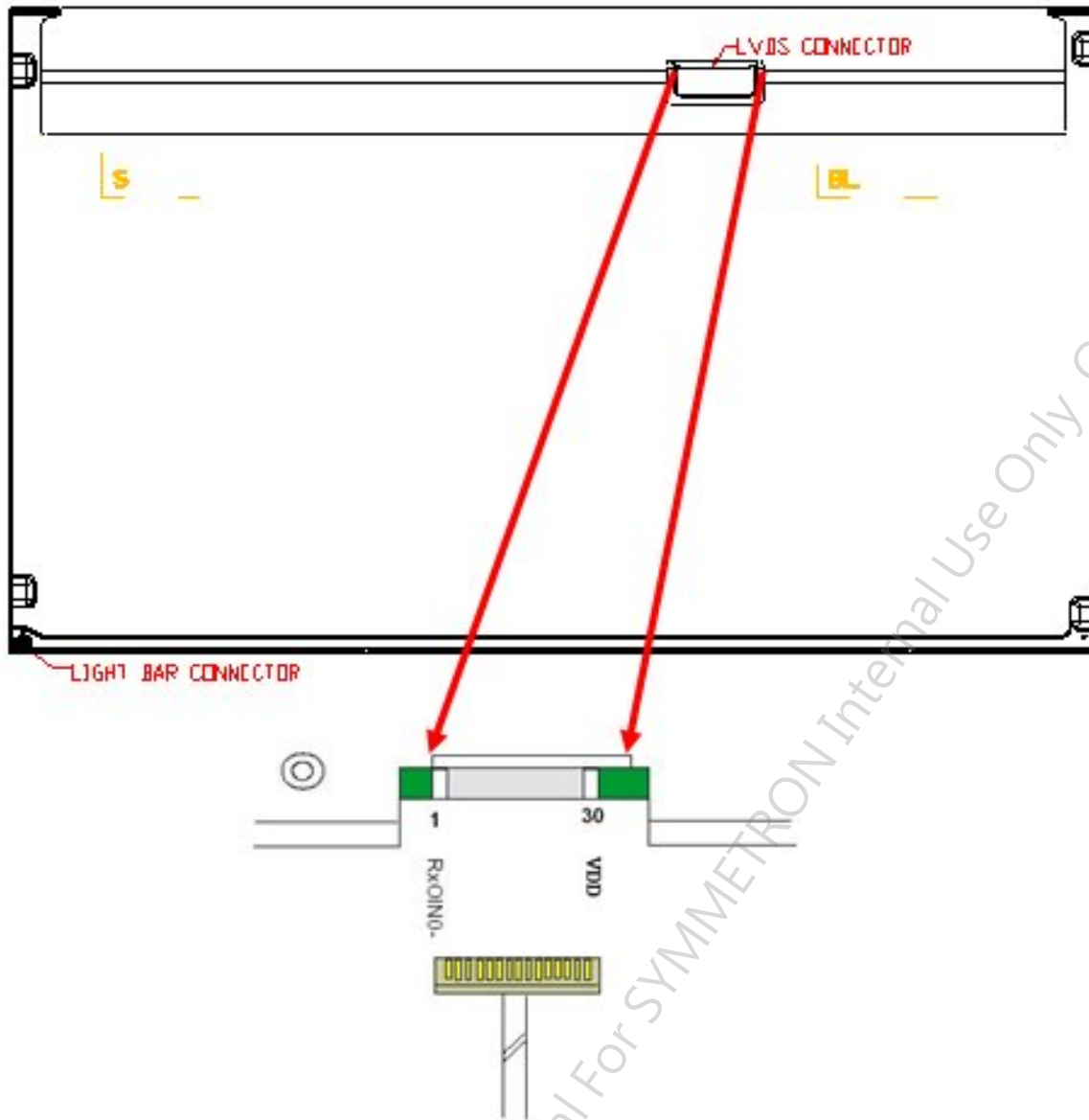
3.2.1 Connector Type

TFT-LCD Connector	Manufacturer	P-TWO	STM
	Part Number	AL230F-A0G1D-P	MSCKT2407P30HB
Mating Connector	Manufacturer	JAE	
	Part Number	FI-X30HL (Locked Type)	

3.2.2 Connector Pin Assignment

PIN #	Symbol	Description	Remark
1	RxO0-	Negative LVDS differential data input (Odd data)	
2	RxO0+	Positive LVDS differential data input (Odd data)	
3	RxO1-	Negative LVDS differential data input (Odd data)	
4	RxO1+	Positive LVDS differential data input (Odd data)	
5	RxO2-	Negative LVDS differential data input (Odd data)	
6	RxO2+	Positive LVDS differential data input (Odd data)	
7	GND	Ground	
8	RxOCLK-	Negative LVDS differential clock input (Odd clock)	
9	RxOCLK+	Positive LVDS differential clock input (Odd clock)	
10	RxO3-	Negative LVDS differential data input (Odd data)	
11	RxO3+	Positive LVDS differential data input (Odd data)	
12	RxE0-	Negative LVDS differential data input (Even data)	
13	RxE0+	Positive LVDS differential data input (Even data)	
14	GND	Ground	
15	RxE1-	Negative LVDS differential data input (Even data)	
16	RxE1+	Positive LVDS differential data input (Even data)	
17	GND	Ground	
18	RxE2-	Negative LVDS differential data input (Even data)	
19	RxE2+	Positive LVDS differential data input (Even data)	
20	RxECLK-	Negative LVDS differential clock input (Even clock)	
21	RxECLK+	Positive LVDS differential clock input (Even clock)	
22	RxE3-	Negative LVDS differential data input (Even data)	
23	RxE3+	Positive LVDS differential data input (Even data)	
24	GND	Ground	
25	NC	No connection (for AUO test only. Do not connect)	
26	NC	No connection (for AUO test only. Do not connect)	

27	NC	No connection (for AUO test only. Do not connect)	
28	VDD	Power Supply Input Voltage	
29	VDD	Power Supply Input Voltage	
30	VDD	Power Supply Input Voltage	



3.3 Electrical Characteristics

3.3.1 Absolute Maximum Rating

Permanent damage may occur if exceeding the following maximum rating.

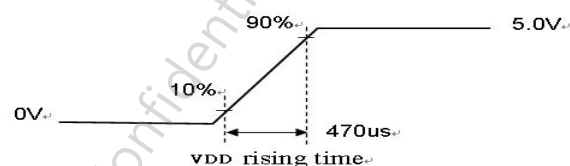
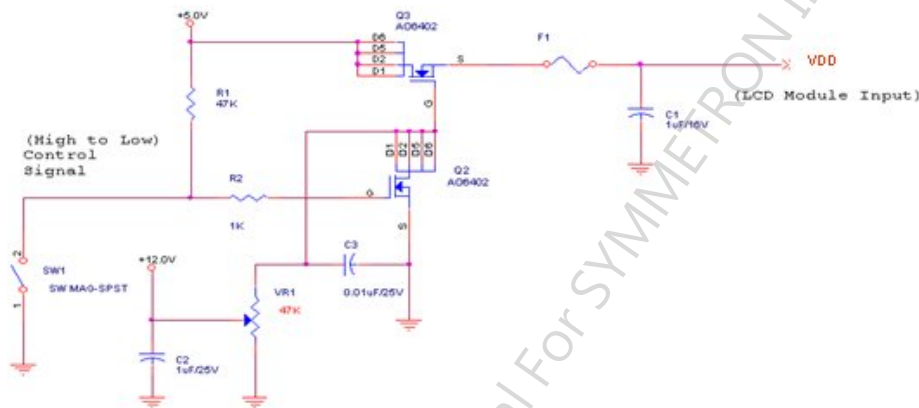
Symbol	Description	Min	Max	Unit	Remark
VDD	Power Supply Input Voltage	GND-0.3	6.0	[Volt]	Ta=25

3.3.2 Recommended Operating Condition

Symbol	Description	Min	Typ	Max	Unit	Remark
VDD	Power supply Input voltage	4.5	5.0	5.5	[Volt]	
IDD	Power supply Input Current (RMS)	-	0.62	0.74	[A]	VDD= 5.0V, All white Pattern, Fv=60Hz
			0.7	0.84	[A]	VDD= 5.0V, All white Pattern, Fv=75Hz
PDD	VDD Power Consumption	-	3.1	3.7	[Watt]	VDD= 5.0V, All white Pattern, Fv=60Hz
			3.5	4.2	[Watt]	VDD= 5.0V, All white Pattern, Fv=75Hz
IRush	Inrush Current	-	-	3.0	[A]	Note 3-1
VDDrp	Allowable VDD Ripple Voltage	-	-	500	[mV]	VDD= 5.0V, All white Pattern, Fv=75Hz

Note 3-1: Inrush Current measurement:

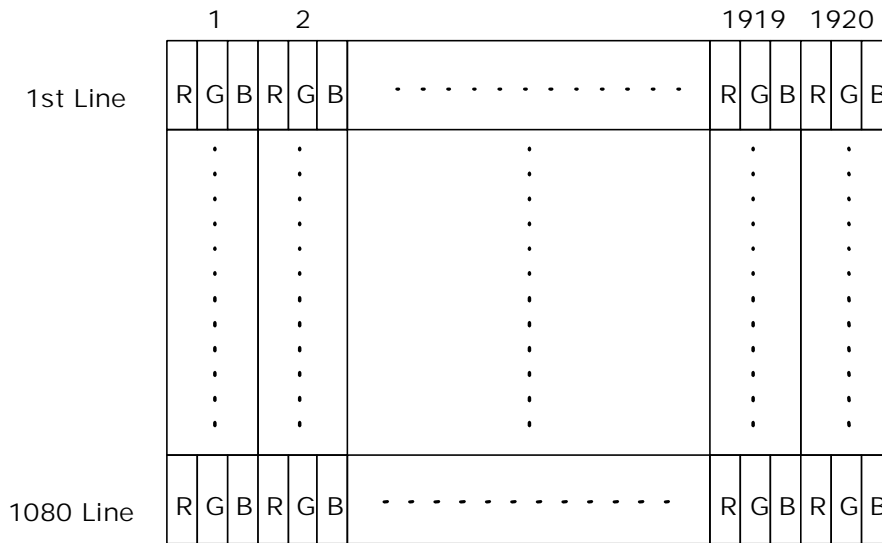
Test circuit:



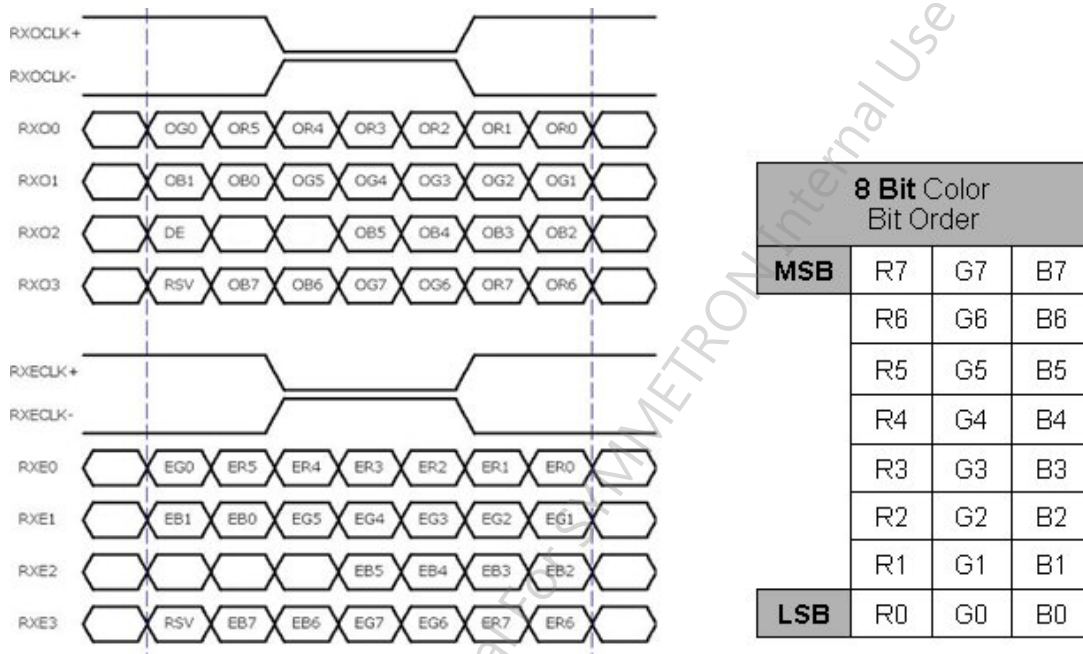
The duration of VDD rising time: 470us.

3.4 Signal Characteristics

3.4.1 LCD Pixel Format



3.4.2 LVDS Data Format



Note 3-2:

- a. O = "Odd Pixel Data" E = "Even Pixel Data"
- b. Refer to 3.4.1 LCD pixel format, the 1st data is 1 (Odd Pixel Data), the 2nd data is 2 (Even Pixel Data) and the last data is 1920 (Even Pixel Data).

3.4.3 Color versus Input Data

The following table is for color versus input data (8bit). The higher the gray level, the brighter the color.

Color	Gray Level	Color Input Data																				Remark				
		RED data (MSB:R7, LSB:R0)								GREEN data (MSB:G7, LSB:G0)								BLUE data (MSB:B7, LSB:B0)								
		R7	R6	R5	R4	R3	R2	R1	R0	G7	G6	G5	G4	G3	G2	G1	G0	B7	B6	B5	B4		B3	B2	B1	B0
Black	-	0	0	0	0	0	0	0	0	0	0	0	0	0	0	0	0	0	0	0	0	0	0	0	0	
White	-	1	1	1	1	1	1	1	1	1	1	1	1	1	1	1	1	1	1	1	1	1	1	1	1	
Gray 127	-	0	1	1	1	1	1	1	1	0	1	1	1	1	1	1	1	0	1	1	1	1	1	1	1	
Red	L0	0	0	0	0	0	0	0	0	0	0	0	0	0	0	0	0	0	0	0	0	0	0	0	0	Black
	:	:	:	:	:	:	:	:	:	:	:	:	:	:	:	:	:	:	:	:	:	:	:	:	:	
	L255	1	1	1	1	1	1	1	1	0	0	0	0	0	0	0	0	0	0	0	0	0	0	0	0	
Green	L0	0	0	0	0	0	0	0	0	0	0	0	0	0	0	0	0	0	0	0	0	0	0	0	0	Black
	:	:	:	:	:	:	:	:	:	:	:	:	:	:	:	:	:	:	:	:	:	:	:	:	:	
	L255	0	0	0	0	0	0	0	0	1	1	1	1	1	1	1	1	0	0	0	0	0	0	0	0	
Blue	L0	0	0	0	0	0	0	0	0	0	0	0	0	0	0	0	0	0	0	0	0	0	0	0	0	Black
	:	:	:	:	:	:	:	:	:	:	:	:	:	:	:	:	:	:	:	:	:	:	:	:	:	
	L255	0	0	0	0	0	0	0	0	0	0	0	0	0	0	0	0	1	1	1	1	1	1	1	1	

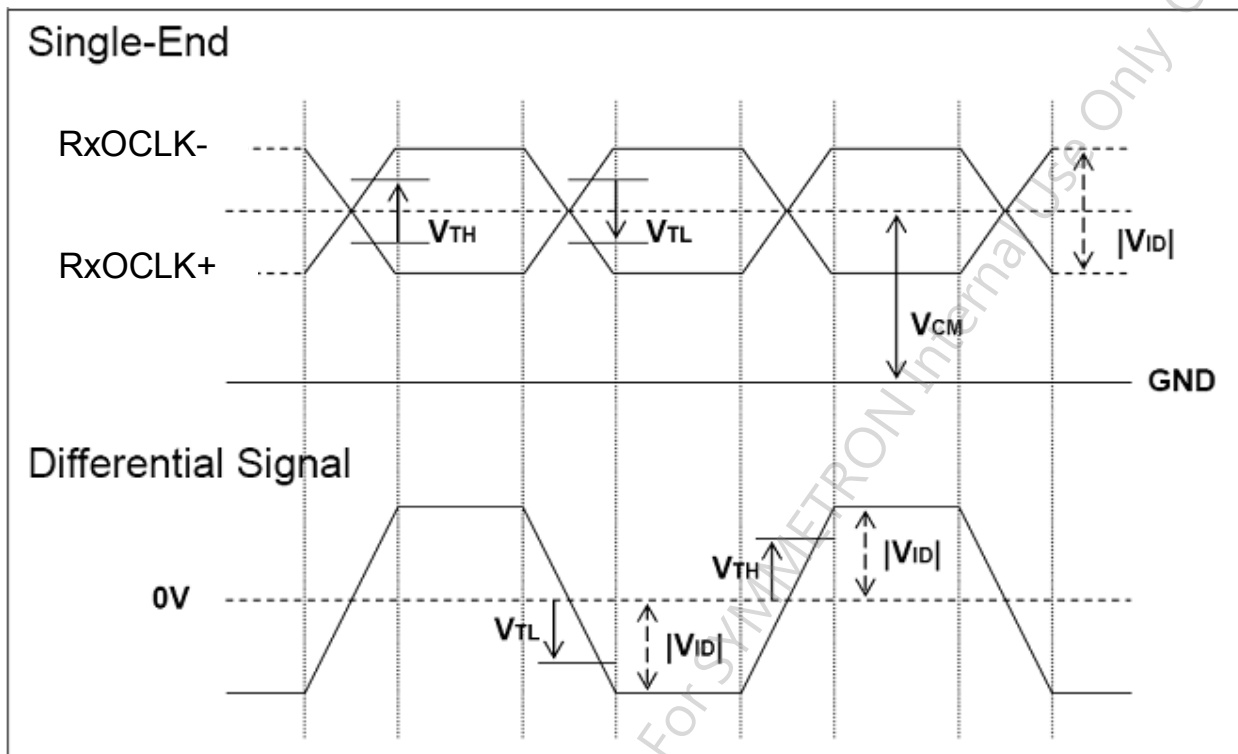
3.4.4 LVDS Specification

a. DC Characteristics:

Symbol	Description	Min	Typ	Max	Units	Condition
V_{TH}	LVDS Differential Input High Threshold	-	-	+100	[mV]	$V_{CM} = 1.2V$
V_{TL}	LVDS Differential Input Low Threshold	-100	-	-	[mV]	$V_{CM} = 1.2V$
V_{ID}	LVDS Differential Input Voltage	100	-	600	[mV]	
V_{CM}	LVDS Common Mode Voltage	+1.0	+1.2	+1.5	[V]	$V_{TH}-V_{TL} = 200mV$

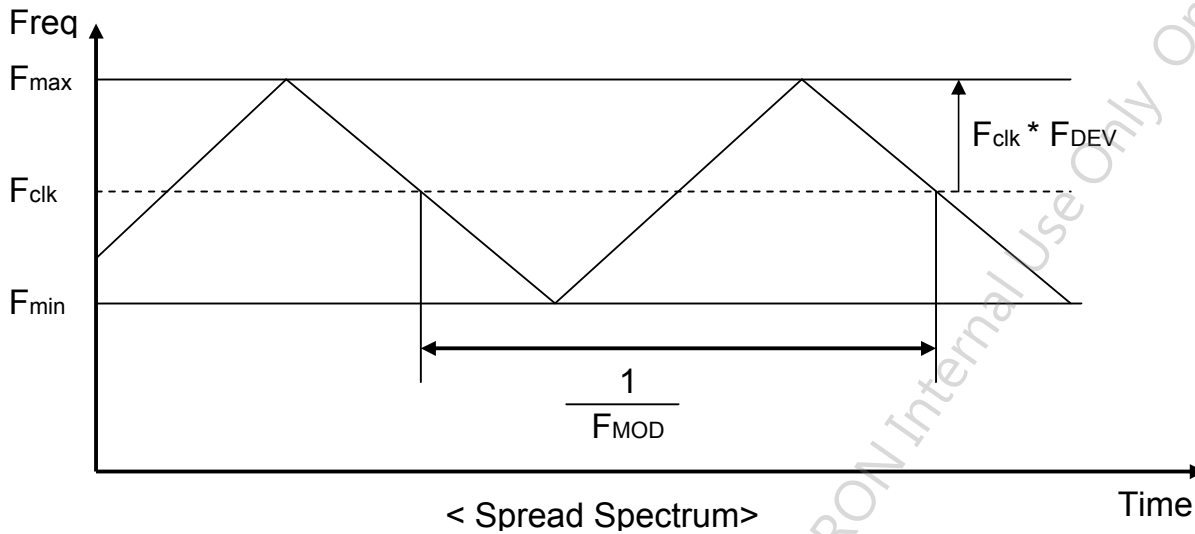
LVDS Signal Waveform:

Use RxOCLK- & RxOCLK+ as example.



b. AC Characteristics:

Symbol	Description	Min	Max	Unit	Remark
F_{DEV}	Maximum deviation of input clock frequency during Spread Spectrum	-	± 3	%	
F_{MOD}	Maximum modulation frequency of input clock during Spread Spectrum	-	200	KHz	



F_{clk} : LVDS Clock Frequency

3.4.5 Input Timing Specification

It only support DE mode, and the input timing are shown as the following table.

Symbol	Description		Min.	Typ.	Max.	Unit	Remark
Tv	Vertical Section	Period	1092	1130	1793	Th	Tv
Tdisp (v)		Active	1080	1080	1080	Th	Tdisp (v)
Tblk (v)		Blanking	12	50	713	Th	Tblk (v)
Fv		Frequency	50	60	76	Hz	Fv
Th	Horizontal Section	Period	1004	1050	1100	Tclk	Th
Tdisp (h)		Active	960	960	960	Tclk	Tdisp (h)
Tblk (h)		Blanking	44	90	140	Tclk	Tblk (h)
Fh		Frequency	55	68	90	KHz	Fh
Tclk	LVDS Clock	Period	11.1	14.0	18.2	ns	Tclk
Fclk		Frequency	54.8	71.2	90.0	MHz	Fclk

Note 3-3: The equation is listed as following. Please don't exceed the above recommended value.

$$Fh (\text{Min.}) = Fclk (\text{Min.}) / Th (\text{Min.});$$

$$Fh (\text{Typ.}) = Fclk (\text{Typ.}) / Th (\text{Typ.});$$

$$Fh (\text{Max.}) = Fclk (\text{Max.}) / Th (\text{Min.});$$

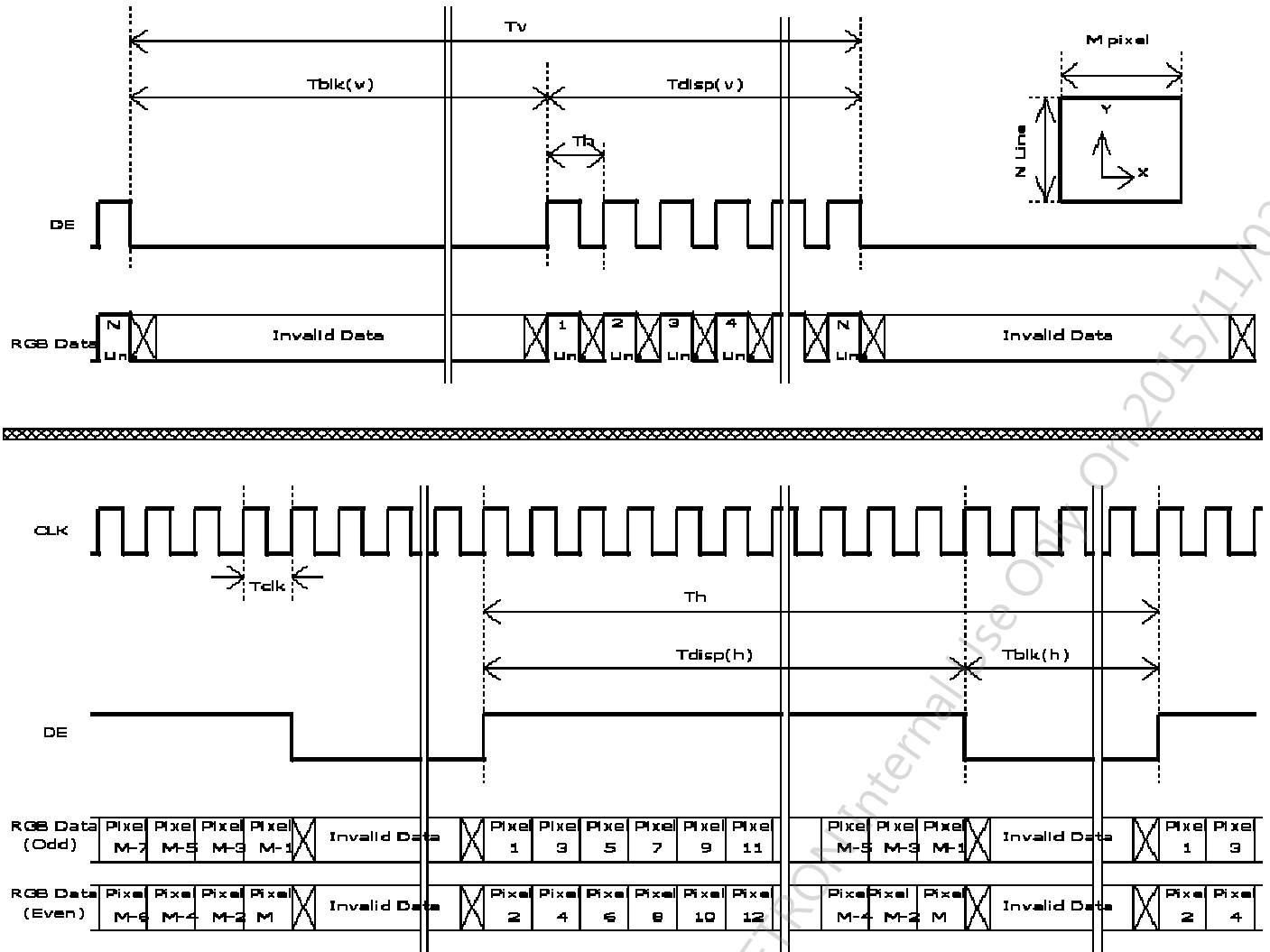
Note 3-4: The equation is listed as following. Please don't exceed the above recommended value.

$$Fclk (\text{Min.}) = Fv (\text{Min.}) \times Th (\text{Min.}) \times Tv (\text{Min.});$$

$$Fclk (\text{Typ.}) = Fv (\text{Typ.}) \times Th (\text{Typ.}) \times Tv (\text{Typ.});$$

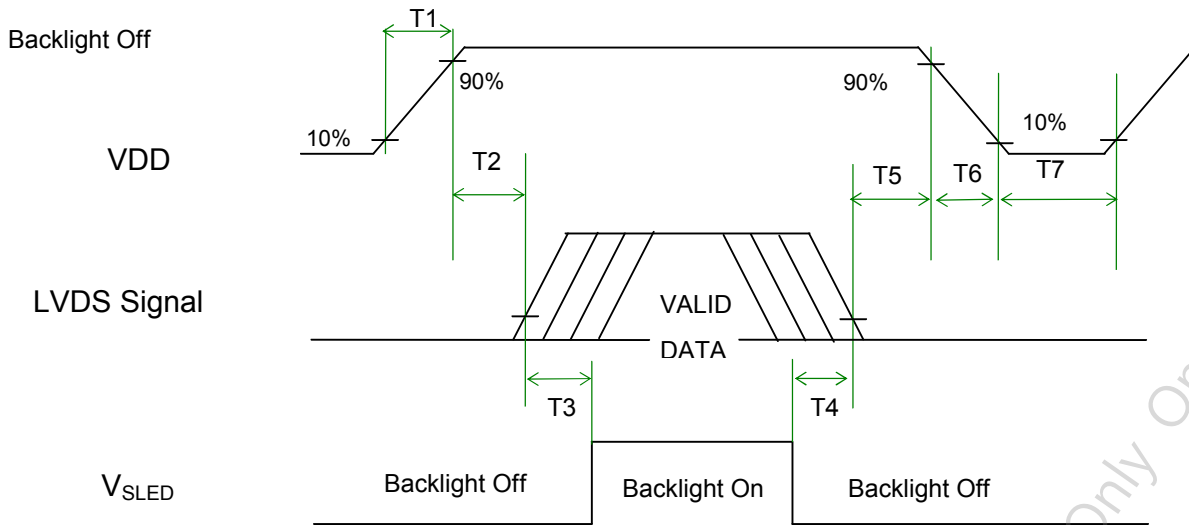
$$Fclk (\text{Max.}) = Fv (\text{Max.}) \times Th (\text{Typ.}) \times Tv (\text{Typ.});$$

3.4.6 Input Timing Diagram



3.5 Power ON/OFF Sequence

VDD power, LVDS signal and backlight on/off sequence are as following. LVDS signals from any system shall be Hi-Z state when VDD is off.



Power Sequence Timing

Symbol	Value			Unit	Remark
	Min.	Typ.	Max.		
T1	0.5	-	10	[ms]	
T2	0	-	50	[ms]	
T3	500	-	-	[ms]	
T4	100	-	-	[ms]	
T5	0		50	[ms]	Note 3-5 Note 3-6
T7	1000	-	-	[ms]	

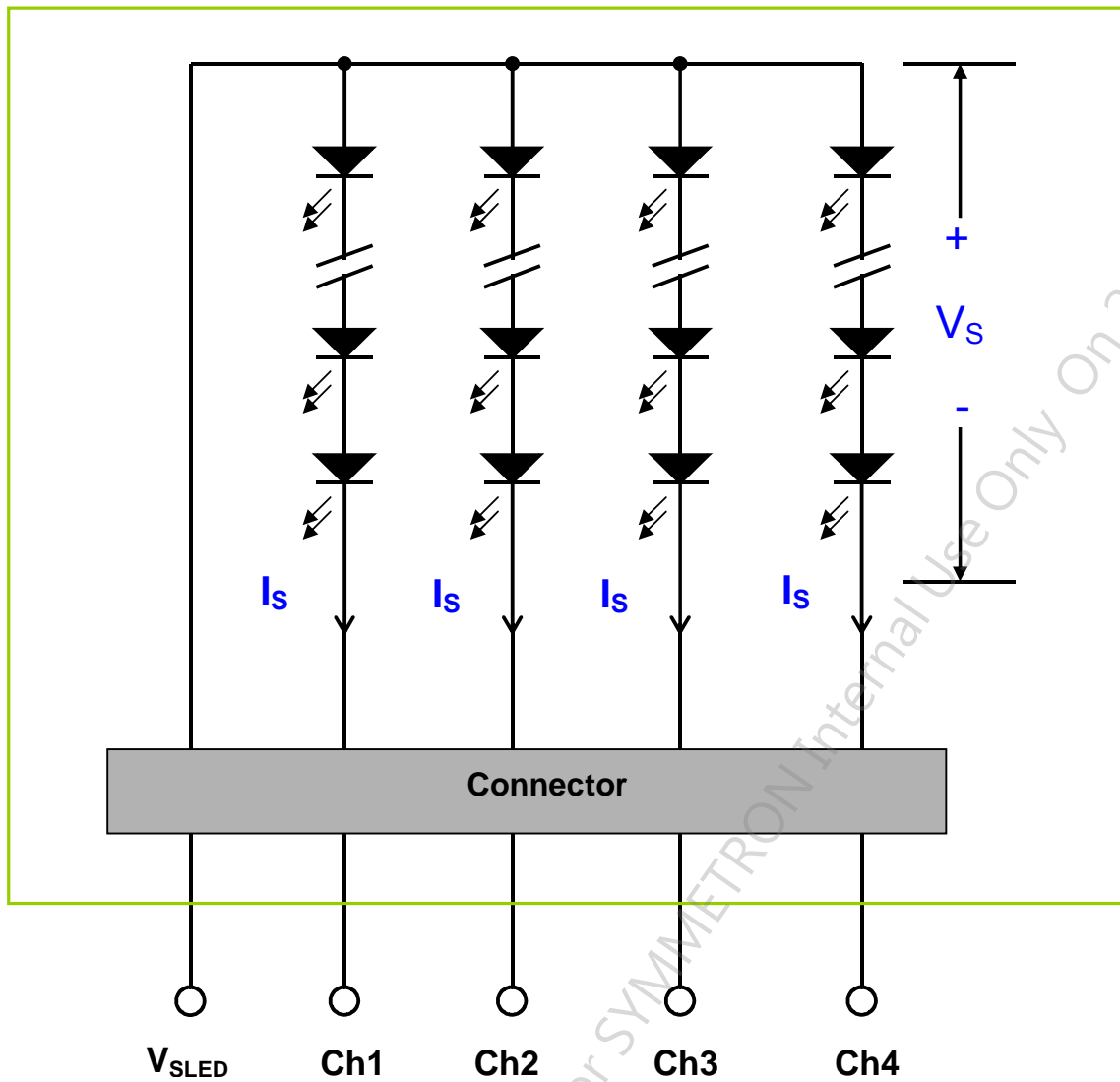
Note 3-5 : Recommend setting T5 = 0ms to avoid electronic noise when VDD is off.

Note 3-6 : During T5 and T6 period , please keep the level of input LVDS signals with Hi-Z state.

4 Backlight Unit

4.1 Block Diagram

The following shows the block diagram of the 21.5 inch Backlight Unit. And it includes 60 pcs LED in the LED light bar. (4 strings and 15 pcs LED of one string).



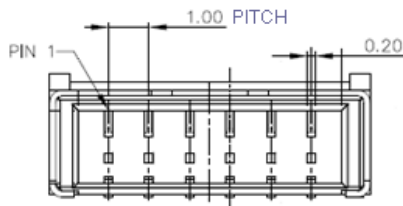
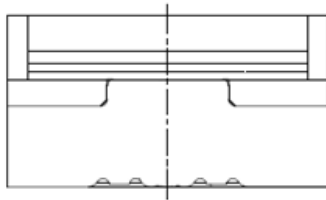
4.2 Interface Connection

4.2.1 Connector Type

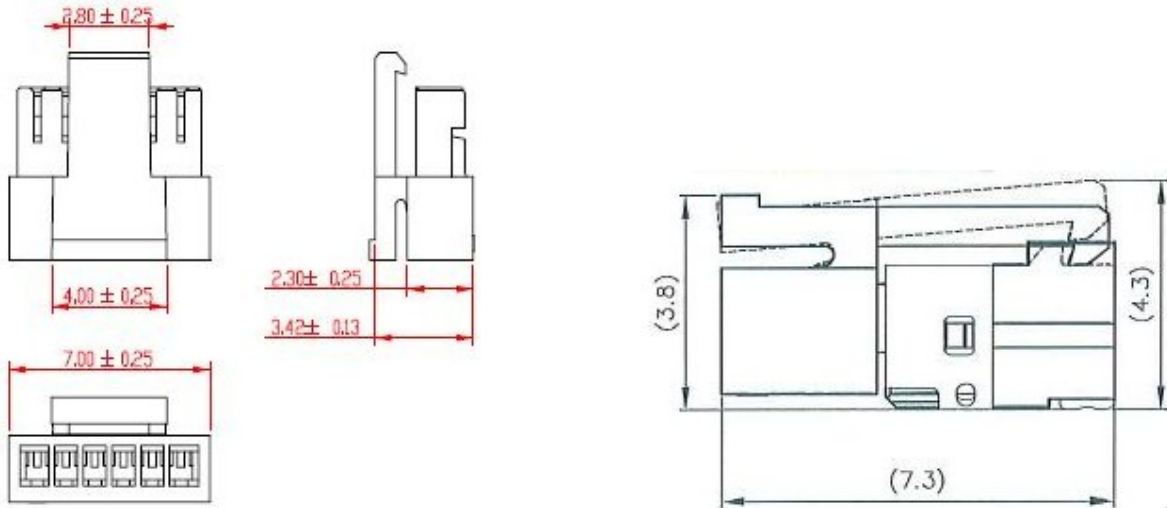
Backlight Connector	Manufacturer	ENTERY
	Part Number	3707K-S06N-21R
Mating Connector	Manufacturer	ENTERY
	Part Number	H112K-P06N-00B (Non-Locking type) H112K-P06N-03B (Locking type)

Backlight Connector dimension:

$H \times V \times D = 13.9 \times 3.00 \times 4.25$, Pitch = 1.0(unit = mm)



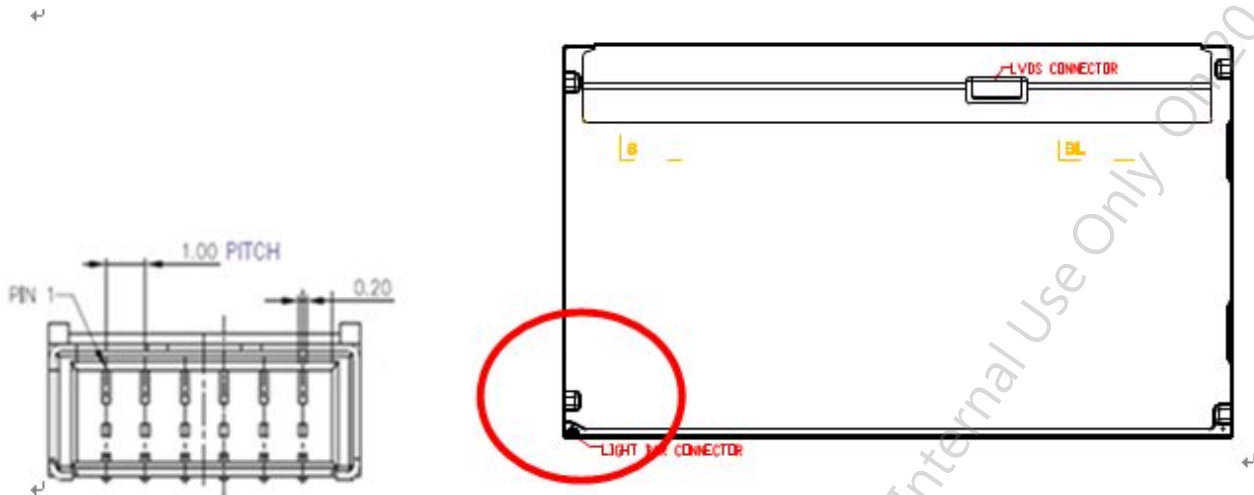
Mating Connector dimension:



AUO Confidential For SYMMETRON Internal Use Only On 2015/11/02

4.2.2 Connector Pin Assignment

Pin#	Symbol	Description	Remark
1	Ch1	LED Current Feedback Terminal (Channel 1)	
2	Ch2	LED Current Feedback Terminal (Channel 2)	
3	V _{SLED}	LED Power Supply Voltage Input Terminal	
4	V _{SLED}	LED Power Supply Voltage Input Terminal	
5	Ch3	LED Current Feedback Terminal (Channel 3)	
6	Ch4	LED Current Feedback Terminal (Channel 4)	



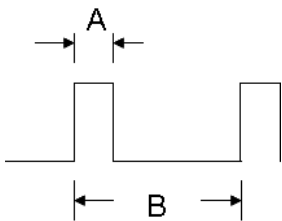
4.3 Electrical Characteristics

4.3.1 Absolute Maximum Rating

Permanent damage may occur if exceeding the following maximum rating.

(Ta=25 °C)

Symbol	Description	Min	Max	Unit	Remark
Is	LED String Current	0	90	[mA]	100% duty ratio
			150	[mA]	Duty ratio 10% Pulse time=10 ms



Duty ratio= (A / B) X 100% ; (A: Pulse time, B: Period)

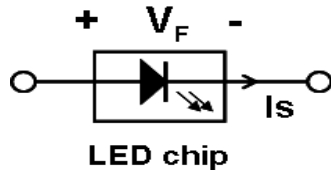
4.3.2 Recommended Operating Condition

(Ta=25 °C)

Symbol	Description	Min.	Typ.	Max.	Unit	Remark
Is	LED String Current	-	65	72	[mA]	100% duty ratio of LED chip
Vs	LED String Voltage	-	46.5	51	[Volt]	Is=65mA @ 100% duty ratio; Note 4-1, Note 4-5
ΔVs	Maximum Vs Voltage Deviation of light bar	-	-	4.5	[Volt]	Is=65mA @ 100% duty ratio; Note 4-2
P _{BLU}	LED Light Bar Power Consumption	-	12.1	13.3	[Watt]	Note 4-3
LT _{LED}	LED Life Time	30,000	-	-	[Hour]	Note 4-4
OVP	Over Voltage Protection in system board	110% V _{smax}	-	-	[Volt]	Note 4-5

Note 4-1: V_s (Typ.) = V_F (Typ.) X LED No. (one string);

- a. V_F : LED chip forward voltage, V_F (Min.)= 2.8V, V_F (Typ.)=3.1V, V_F (Max.)=3.4V
- b. The same equation to calculate V_s (Min.) & V_s (Max.) for respective V_F (Min.) & V_F (Max.);



Note 4-2: ΔV_s (Max.) = ΔV_F X LED No. (one string);

- a. ΔV_F : LED chip forward voltage deviation; (0.3 V , each Bin of LED V_F)

Note 4-3: P_{BLU} (Typ.) = V_s (Typ.) X I_s (Typ.) X 4 ; (4 is total String No. of LED Light bar)

$$P_{BLU} \text{ (Max.)} = V_s \text{ (Max.)} \times I_s \text{ (Typ.)} \times 4 ;$$

Note 4-4: Definition of life time:

- a. Brightness of LED becomes to 50% of its original value
- b. Test condition: $I_s = 65\text{mA}$ and 25 (Room Temperature)

Note 4-5: Recommendation for LED driver power design:

Due to there are electrical property deviation in LED & monitor set system component after long time operation. AUO strongly recommend the design value of LED driver board OVP (over voltage protection) should be 10% higher than max. value of LED string voltage (V_s) at least.

Note 4-6: AUO strongly recommend “ Analog Dimming ” method for backlight brightness control for Wavy Noise Free. Otherwise, recommend that Dimming Control Signal (PWM Signal) should be synchronized with Frame Frequency.



5 Reliability Test

AUO reliability test items are listed as following table. (Bare Panel only)

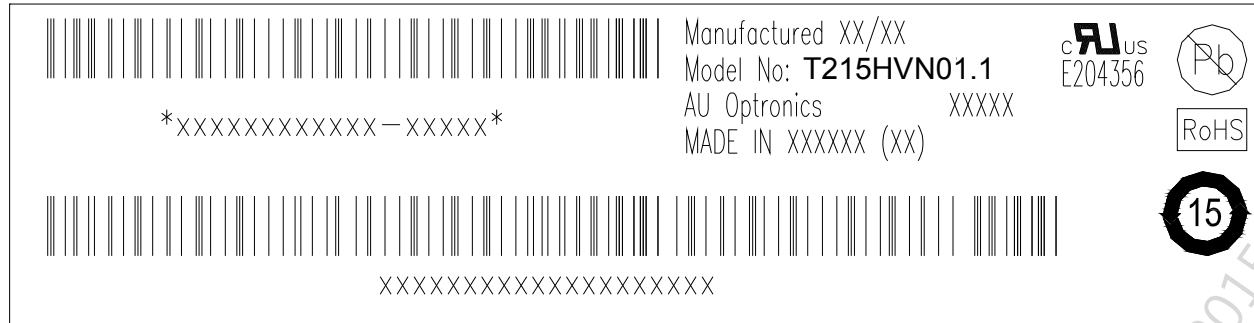
Items	Condition	Remark
Temperature Humidity Bias (THB)	Ta= 50 , 80%RH, 300hours	
High Temperature Operation (HTO)	Ta= 50 , 50%RH, 300hours	
Low Temperature Operation (LTO)	Ta= 0 , 300hours	
High Temperature Storage (HTS)	Ta= 60 , 300hours	
Low Temperature Storage (LTS)	Ta= -20 , 300hours	
Vibration Test (Non-operation)	Acceleration: 1.5 Grms Wave: Random Frequency: 10 - 200 Hz Sweep: 30 Minutes each Axis (X, Y, Z)	
Shock Test (Non-operation)	Acceleration: 50 G Wave: Half-sine Active Time: 20 ms Direction: ±X, ±Y, ±Z (one time for each Axis)	
Thermal Shock Test (TST)	-20 /30min, 60 /30min, 100 cycles	Note 5-1
On/Off Test	On/10sec, Off/10sec, 30,000 cycles	
ESD (Electro Static Discharge)	Contact Discharge: ± 15KV, 150pF(330Ω) 1sec, 8 points, 25 times/ point.	Note 5-2
	Air Discharge: ± 15KV, 150pF(330Ω) 1sec 8 points, 25 times/ point.	
Altitude Test	Operation:18,000 ft Non-Operation:40,000 ft	

Note 5-1: a. A cycle of rapid temperature change consists of varying the temperature from -20 to 60 , and back again. Power is not applied during the test.
b. After finish temperature cycling, the unit is placed in normal room ambient for at least 4 hours before power on.

Note 5-2: EN61000-4-2, ESD class B: Certain performance degradation allowed
No data lost
Self-recoverable
No hardware failures.


6 Shipping Label

The label is on the panel as shown below:



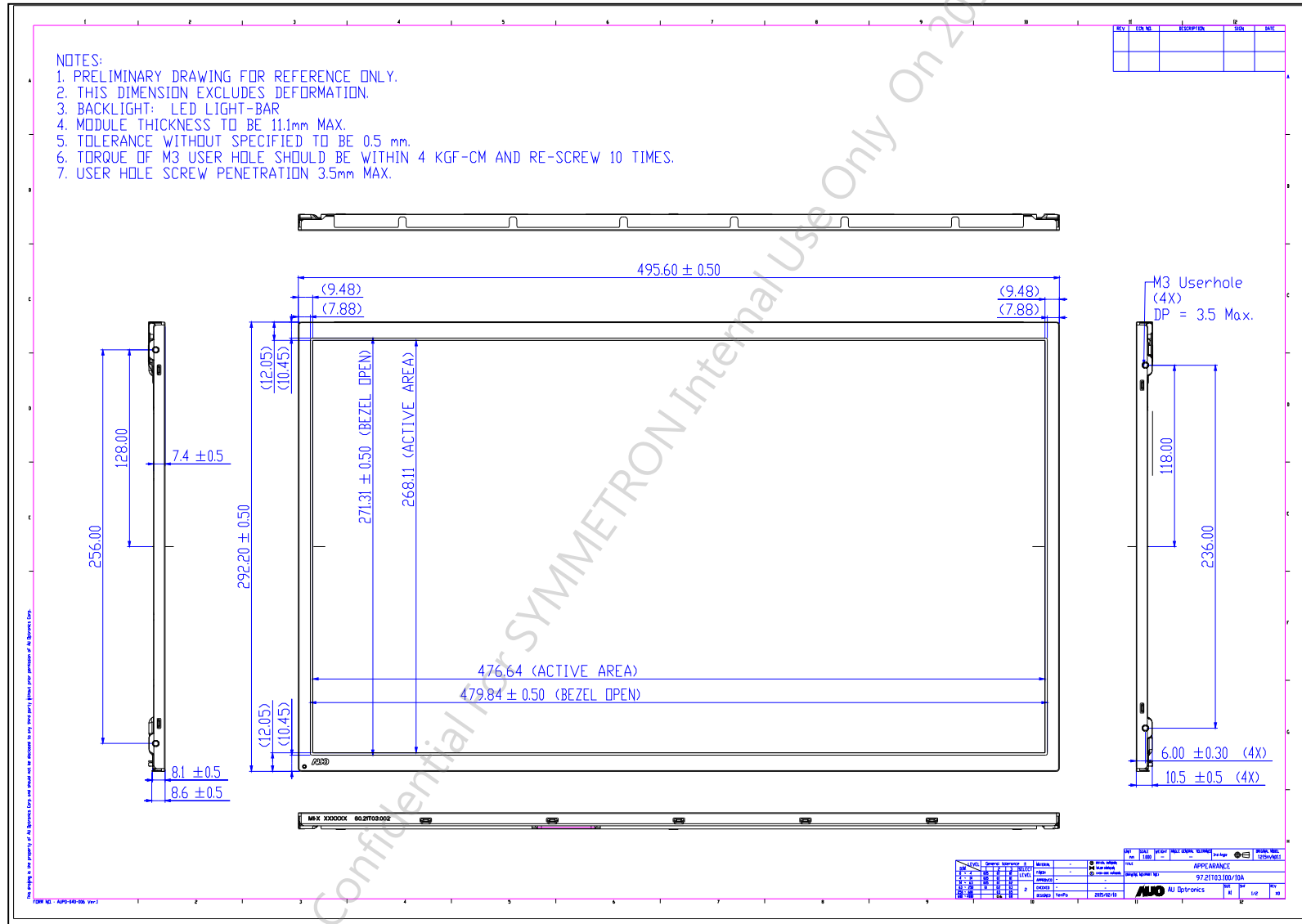
Note 6-1: For Pb Free products, AUO will add  for identification.

Note 6-2: For RoHS compatible products, AUO will add  for identification.

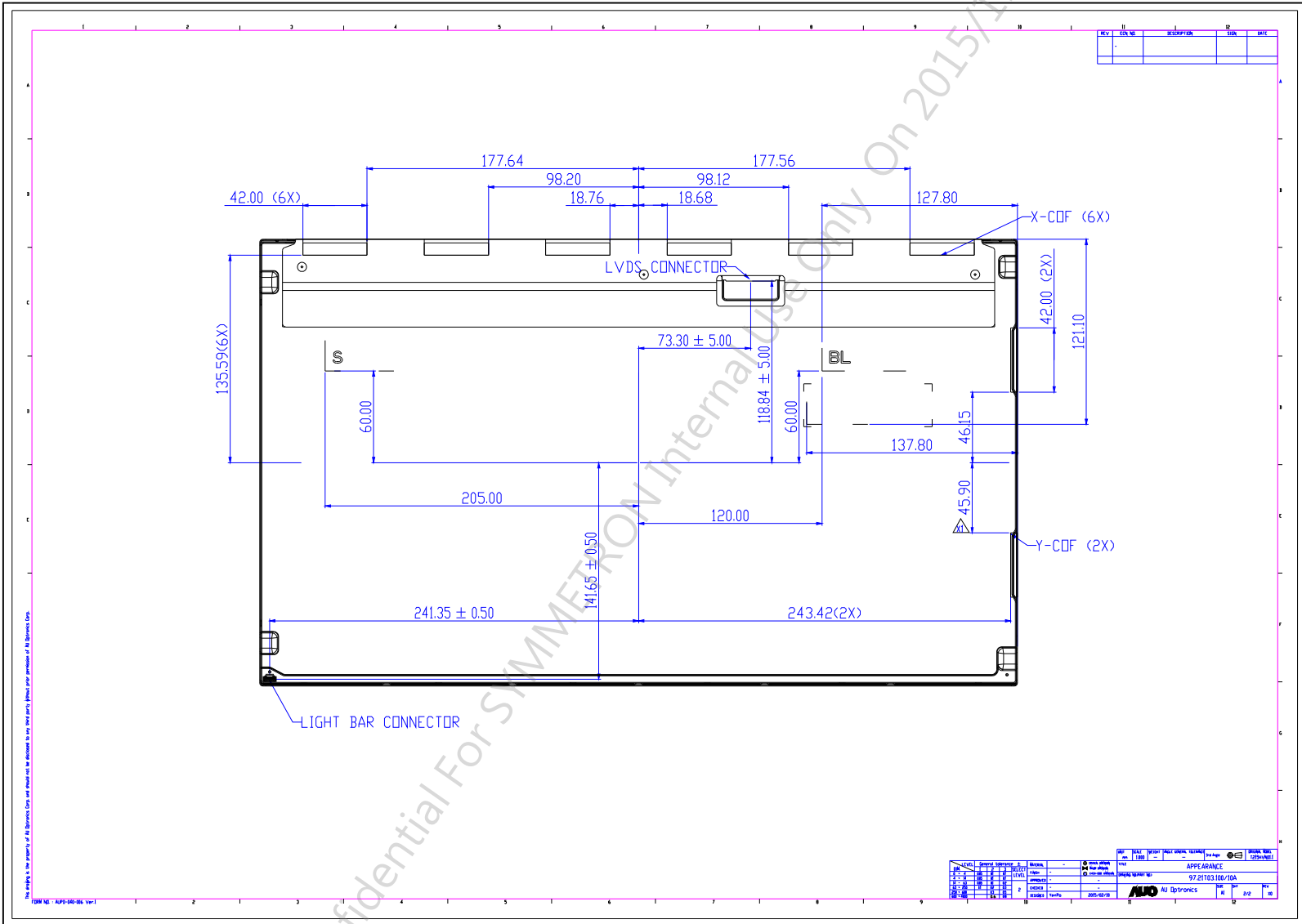
Note 6-3: For China RoHS compatible products, AUO will add  for identification.

Note 6-4: The Green Mark will be presented only when the green documents have been ready by AUO Internal Green Team.

7 Mechanical Characteristics



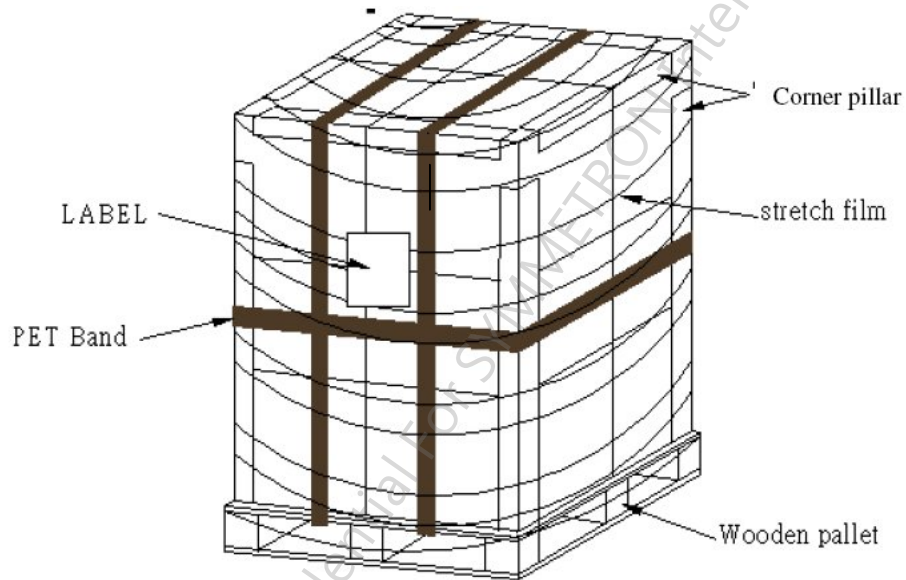
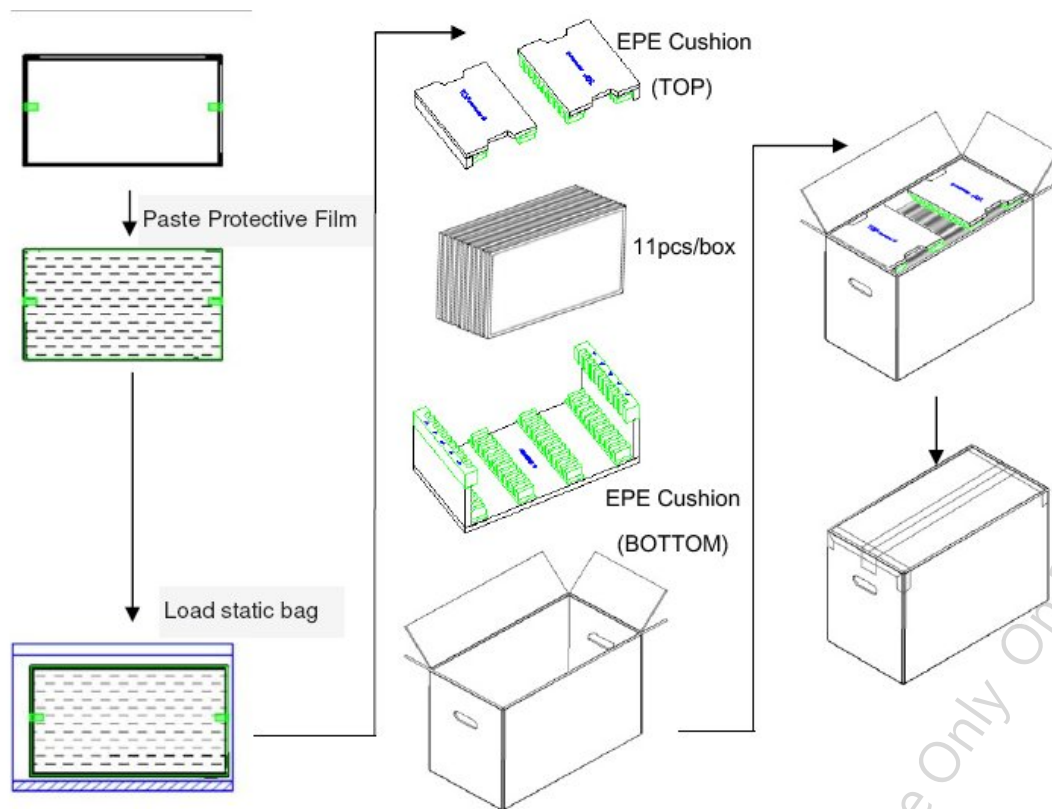
Ver 1.2



Ver 1.2

8 Packing Specification

8.1 Packing Flow



Single pallet stack Illustration

8.2 Pallet and shipment information

	Item	Specification			Remark
		Q'ty	Dimension	Weight(kg)	
1	Panel	1	495.6(H)mm x 292.2(V)mm x 10.6(D)mm	1.67	Note 1
2	Cushion	1	--	0.38	
3	Box	1	556(L)mm x 292(W)mm x 375(H)mm	0.95	without Panel & cushion Note 1
4	Packing Box	11 pcs/Box	406(L)mm x 281(W)mm x 651(H)mm	22.1	with panel & cushion Note 1
5	Pallet	1	1150(L)mm x 910(W)mm x 132(H)mm	12	Note 1
6	Pallet after Packing	18boxes/pallet	1150(L)mm x 910(W)mm x 1125(H)mm	390	Note 1

Note 1: Estimated value which is subject to change based on real measured data.

AUO Confidential For SYMMETRON Internal Use Only On 2015/11/02