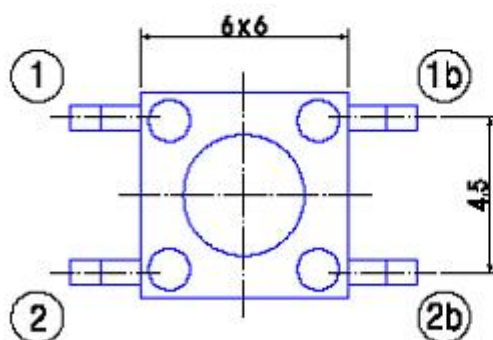
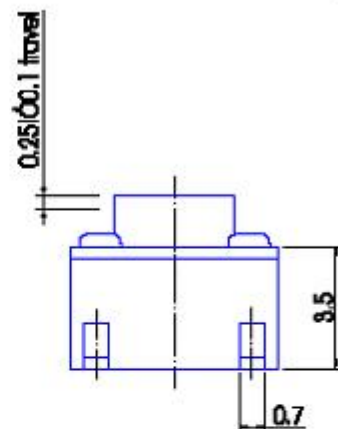
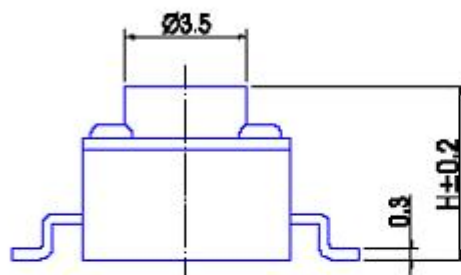


HOW TO ORDER

T824 □ - □ - □ - □ - □

code	Terminal type	code	Stem Height	code	Operation Force	code	Stem color	code	Packing	code	RoHS/non-RoHS
01		043	4.3	100	100±30 gf	B	Black	no mark	Bulk packing	no mark	non-RoHS
		045	4.5	150	150±30 gf	R	Red	TR	Tape & Reel packing	60	RoHS
		047	4.7	200	200±30 gf	Q	Grey				
		060	6.0			N	Brown				
		066	6.6								
		080	8.0								
02		066	6.6								
		070	7.0								
		076	7.6								
		078	7.8								
		080	8.0								
		085	8.5								
03		080	8.0								
		096	9.6								
		107	10.7								
		110	11.0								
		116	11.6								
		120	12.0								
		125	12.5								
		130	13.0								
		140	14.0								
		150	15.0								
160	16.0										
170	17.0										
180	18.0										
196	19.6										
220	22.0										



SPECIFICATION:

Rating: DC12V 50mA
 Contact Resistance: 100m ohm max
 Insulation Resistance: 100M ohm min
 Life: 60,000 cycles min for 200gf
 100,000 cycles min for 100gf, 150gf

DWG Z.L.Y.			
CHK: W. Y.	UNIT: mm	DATE:	TITLE: TACT SWITCH
APP: C.S.C.	SCALE:	PAGE:	PART NO.: TS24 □ - □ - □ □ - □ - □