

DATASHEET

S01.01.01.341_FRANKLIN-24-30

Area Lighting:

30° (Medium) beam .

173x 71 mm, 3X8 arrays for 5050 size LED packages.

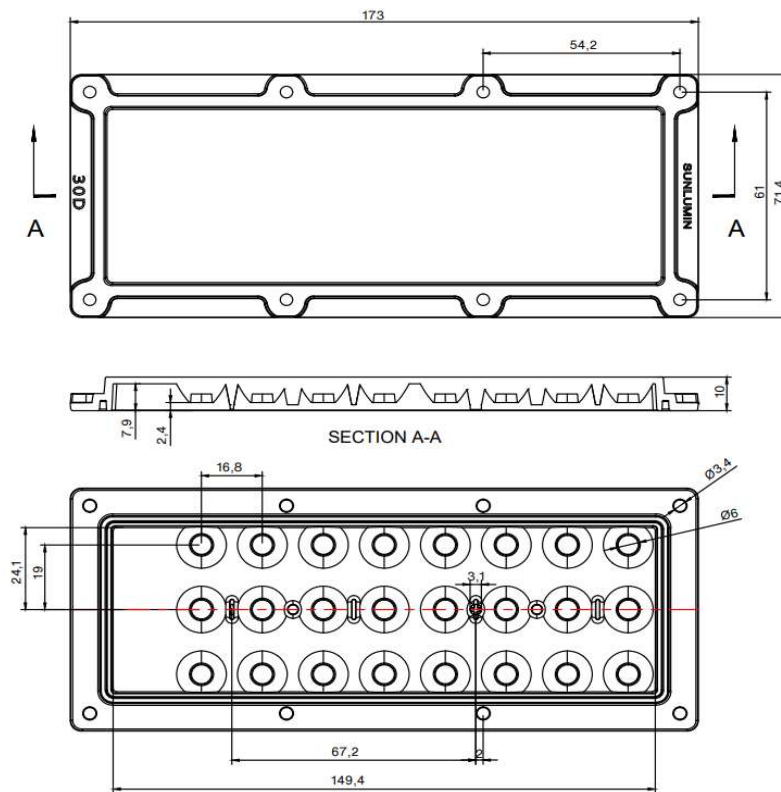
1.General Information

Lens Material	: PC
Size	: 173X71mm
typ.FWHM	: 30°
Design LED	: LUXEON 5050 Square LES 6V
Compatibility	: 5050/3535/3030/2835
typ.Efficiency	: 93%
Fasten	: Screw
IP class	: IP66
Zhaga	: YES
RoHS	: YES
Color	: Clear



2.MECHANICAL SPECIFICATION

UNIT:mm



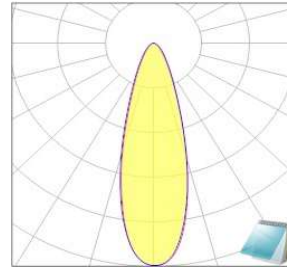
Dimensions with unmarked tolerances refer to GBT14486 tolerance table.

3. OPTICAL RESULTS

1) PHOTOMETRIC DATA(MEASURED):



LED model LUXEON 5050 Round LES 6V
Light colour White
LEDs/each optic 1
FWHM H31.2°,V30.7°
FWTM H67.2°,V64.2°



Required components:

N/A

4.Usage and Maintenance

- 1) If necessary, clean lenses with mild soap, water and soft cloth.
- 2) Never use any commercial cleaning solvents on lenses, like alcohol.
- 3) Please handle lens with wearing gloves, skin oils may damage lens or its optical characteristic.

5.Note

Please test the data again before using. The chart data is for reference only.
The appearance and specifications of the product can be changed to improve the quality and/or performance without notice.

SUNLUMIN OPTICS CO., LTD

501D, Plant 2, No.30, Lishi Road, Liyue Community,
Henggang Str, Longgang District, Shenzhen

E info@sunlumin-optics.com

www sunlumin.com
www sunlumin-optics.com