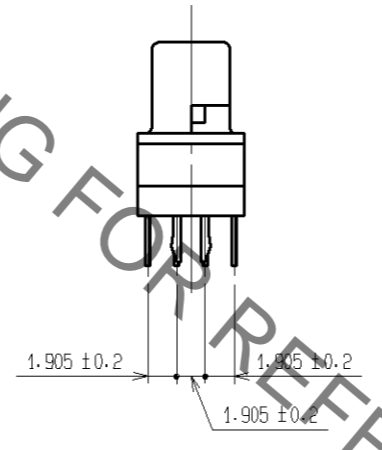
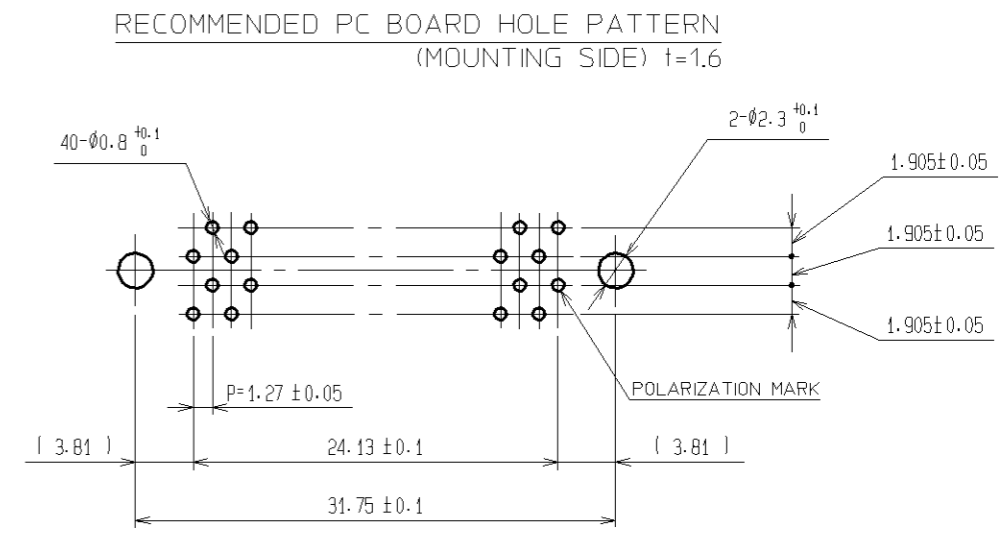
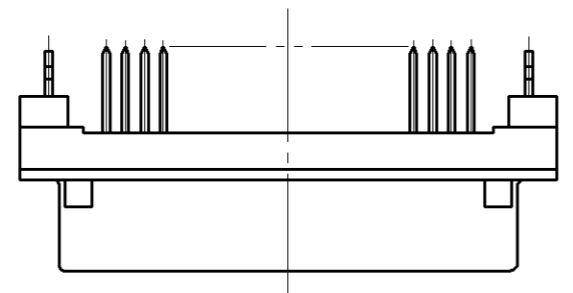
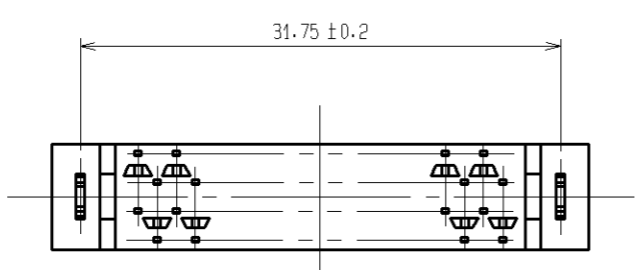
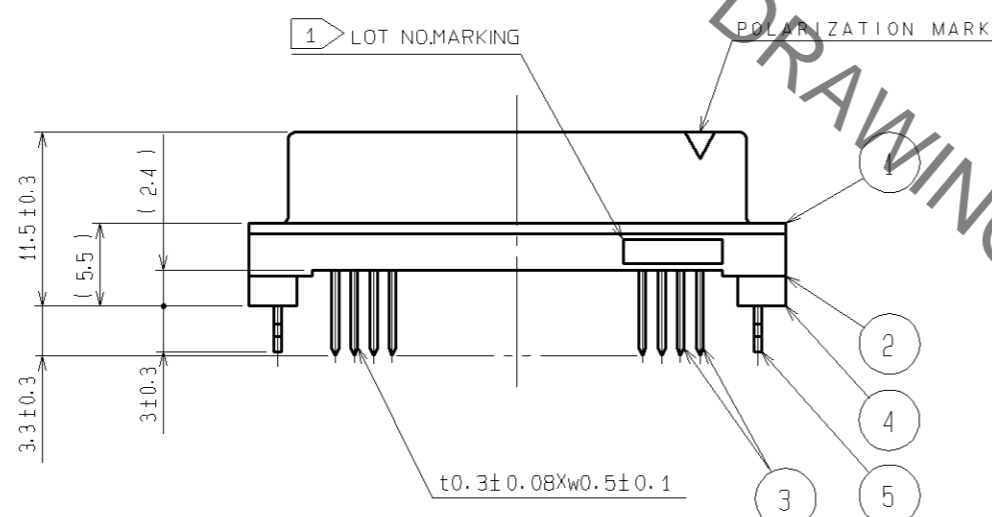
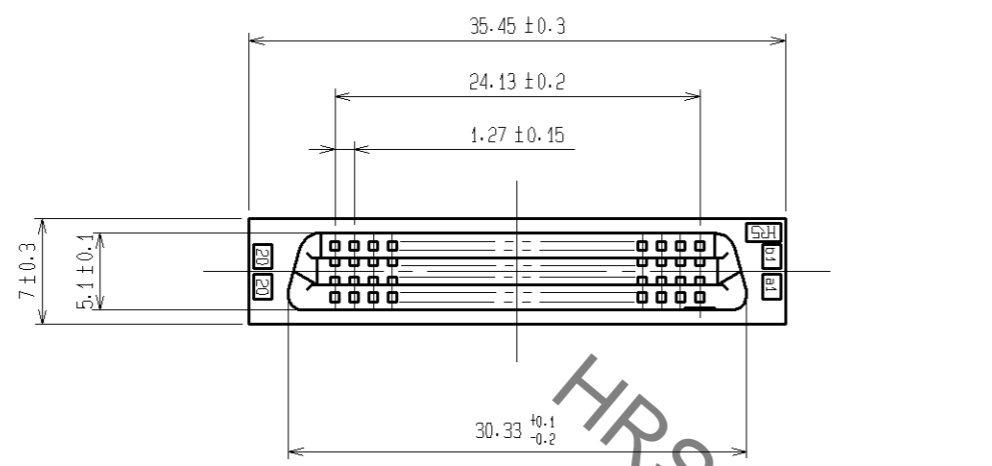


Sep.1.2020 Copyright 2020 HIROSE ELECTRIC CO., LTD. All Rights Reserved.  
In case of consideration for using Automotive equipment / device which demand high reliability, kindly contact our sales window correspondents.



HRS DRAWING FOR REFERENCE

NOTE 1 LOT NO.MARKING SIDE SHALL BE OPTIONAL.  
2 THE DIMENSIONS IN PARENTHESES ARE FOR REFERENCE.

5	PHOSPHOR BRONZE	TIN-PLATING	3	PHOSPHOR BRONZE	CONTACT AREA:GOLD 0.2µm min.
1.2.4	POLYAMIDE	BLACK UL94V-0			DIP AREA:TIN-PLATING 2µm min.
					UNDER PLATING: NICKLE 2µm min.
NO.	MATERIAL	FINISH. REMARKS	NO.	MATERIAL	FINISH. REMARKS
UNITS mm		SCALE 2 : 1	COUNT 	DESCRIPTION OF REVISIONS	
APPROVED : HS.OKAWA 06.09.25			DESIGNED		
CHECKED : HS.OZAWA 06.09.25			CHECKED		
DESIGNED : TK.YANAGISAWA 06.09.25			DATE		
DRAWN : TK.YANAGISAWA 06.09.25			DRAWING NO. EDC3-083269-21		
<b>HRS</b> HIROSE ELECTRIC CO., LTD.			PART NO. FX2CA2-40S-1.27DSAL(71)		
			CODE NO. CL572-2573-2-71		