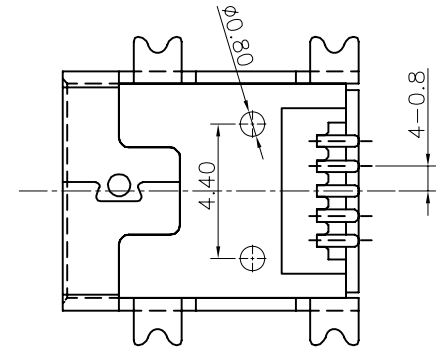
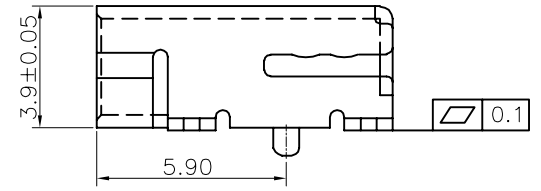
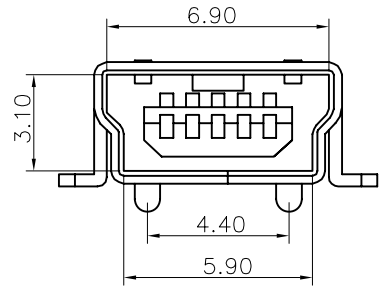
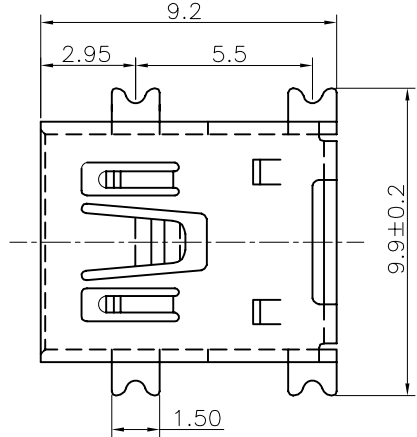
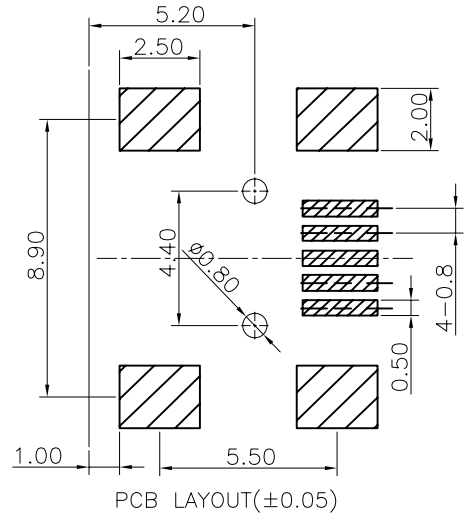


1 2 3 4 5 6 7 8 9

REV.	LOCAS.	DESCRIPTION	DATE	DRAWN
A	NEW	INTERIM INITIAL RELEASE.	2019.08.08	李全榮

Specifications
 Current Rating:1.0Amp
 Voltage Rating:30V DC
 Insulation Resistance:100MΩ Min.
 Dielectric Withstanding Voltage:300VAC
 Contact Resistance:50mΩ Max.
 Materials
 Contact Material:Phosphor Bronze
 Insulator Material:High Temperature Thermoplastic, UL 94V-0 LCP(Nylon) or the equivalent material
 All materials must meet GREENCONN hazardous substances control standards.



Ordering Information

C UZD181 - 05 XX B 002 C X S X-Y4

Standard Plating
 05=Gold Flash/Tin
 Selective Plating
 02=Gold Flash

Color
 1=Black

Standard Packing
 H=Mylar+Tape&Reel

格菱股份有限公司
Greenconn Corporation

GENERAL TOLERANCE	
X.*±5.0°	X.±
.X*±3.0°	.X±0.30
.XX*±	.XX±0.15
.XXX*±	.XXX±0.10

DESIGNED: 李全榮
 CHECKED:
 APPROVED:

DATE: 2019.08.08
 DATE:
 DATE:

DWG. NO.
 CUZD181-CB2CS
 PART NO.
 CUZD181-05XXB002CX SX-Y4

TITLE.
 MINI USB 5PF SMT 3B型
 (1.0柱, 雙卡點)

1 2 3 4 5 6 7 8 9