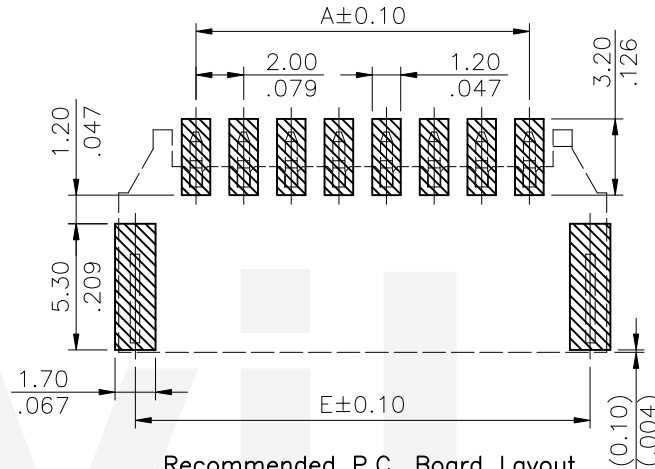
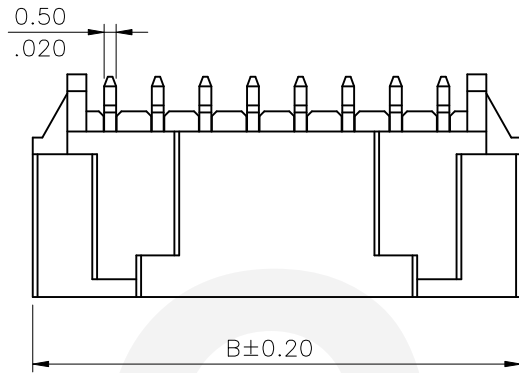
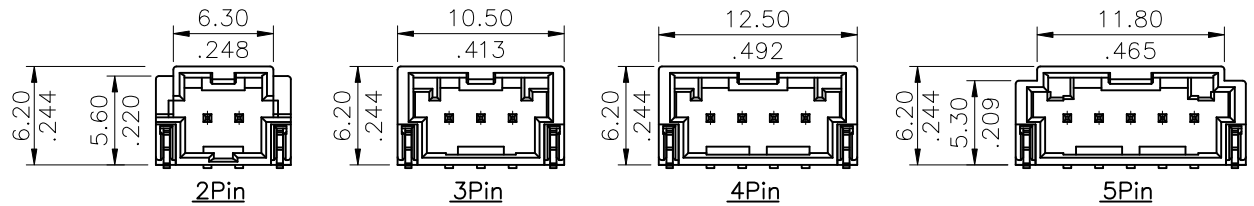


Material :

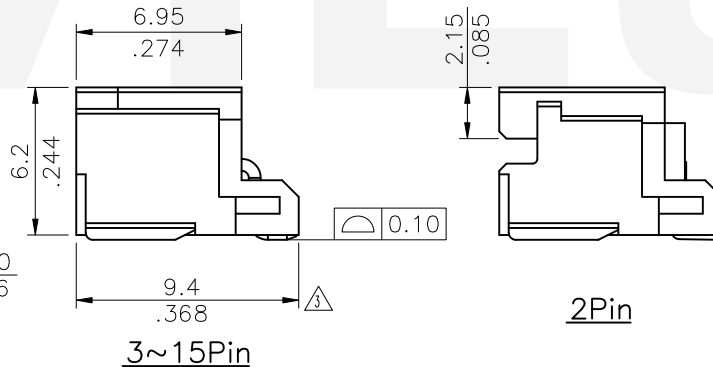
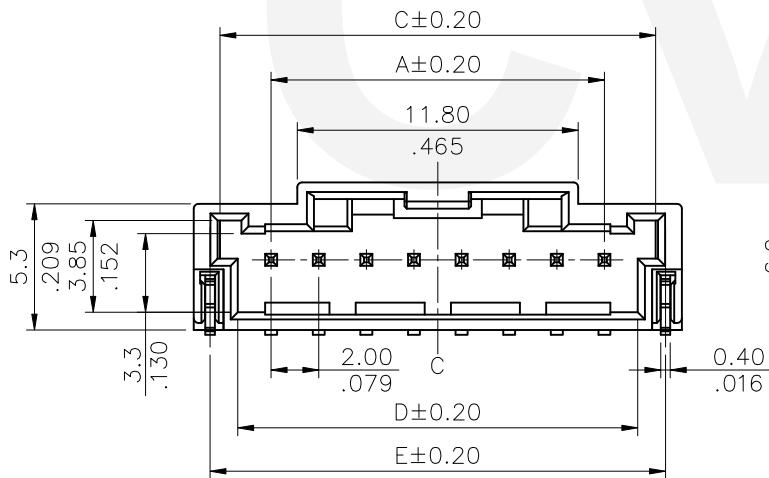
Insulation: Nylon 9T UL94V-0, Color Nature

Contact : Alloy Copper

Fixed Tab : Alloy Copper



Recommended P.C. Board Layout  
(Tolerance:±0.05)



Circuits	Dimension				
	A	B	C	D	E
2	2.00 (.079)	8.50 (.335)	6.30 (.248)	4.80 (.189)	7.13 (.281)
3	4.00 (.157)	10.50 (.413)	8.30 (.327)	6.80 (.268)	9.13 (.359)
4	6.00 (.236)	12.50 (.492)	10.30 (.406)	8.80 (.346)	11.13 (.438)
5	8.00 (.315)	14.50 (.571)	12.30 (.484)	10.80 (.425)	13.13 (.517)
6	10.00 (.394)	16.50 (.650)	14.30 (.563)	12.80 (.504)	15.13 (.596)
7	12.00 (.472)	18.50 (.728)	16.30 (.642)	14.80 (.583)	17.13 (.674)
8	14.00 (.551)	20.50 (.807)	18.30 (.720)	16.80 (.661)	19.13 (.753)
9	16.00 (.630)	22.50 (.886)	20.30 (.799)	18.80 (.740)	21.13 (.832)
10	18.00 (.709)	24.50 (.965)	22.30 (.878)	20.80 (.819)	23.13 (.911)
11	20.00 (.787)	26.50 (1.043)	24.30 (.957)	22.80 (.898)	25.13 (.989)
12	22.00 (.866)	28.50 (1.122)	26.30 (1.035)	24.80 (.976)	27.13 (1.068)
13	24.00 (.945)	30.50 (1.201)	28.30 (1.114)	26.80 (1.055)	29.13 (1.147)
14	26.00 (1.024)	32.50 (1.280)	30.30 (1.193)	28.80 (1.134)	31.13 (1.226)
15	28.00 (1.102)	34.50 (1.358)	32.30 (1.272)	30.80 (1.213)	33.13 (1.304)

Ordering Code:

CID9 \*\* M 1 H R0 -LF  
① ② ③ ④ ⑤ ⑥ ⑦

- ① Series No.
- ② No. of Circuits
- ③ Contact type: M= SMT type header
- ④ Plating option:  
1= Matte Tin plated over Nickel
- ⑤ Tail Style: H= Right Angle
- ⑥ Option: R0= Standard
- ⑦ -LF= For Lead Free Wave Processes

Lead Free Process

RoHS compliant

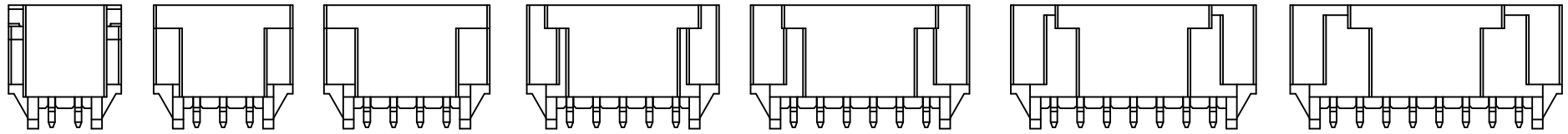
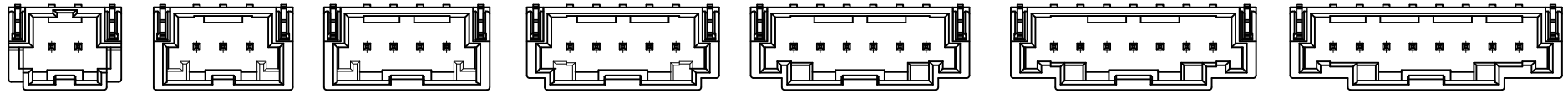
SYM	NAME	DATE	REVISIONS	APPROVED BY:	DATE	UNIT: mm / inch	TITLE: 2.00MM(.079") RIGHT ANGLE SMT TYPE HEADER
4							
3	Sun	4/12-21'	ECNT121091	DRAWN BY: Sun	4/20-21'	TOLERANCE UNLESS OTHERWISE SPECIFIED .X ± 0.30/.012    .X' ± 2" .XX ± 0.20/.008    .X" ± 1" .XXX ± 0.10±.004    .XX' ±	MATERIAL:  FINISH:
2	Sun	6/16-20'	ECNT120157	ENGINEER: Sun	4/20-21'		
1	Sun	11/4-19'	ECNT119306	CHECKED BY: Eisley	4/21-21'		
				APPROVED BY: Eisley	4/21-21'		

CVALUX CORP  
 2021.04.26  
 ISSUED



瀚荃股份有限公司  
CviLux Corporation

DRAWING NO.	CID903SC	PART NO.	CID9**M1HR0-LF
SCALE	3 / 1	SHEET	1 OF 3



2pin

3pin

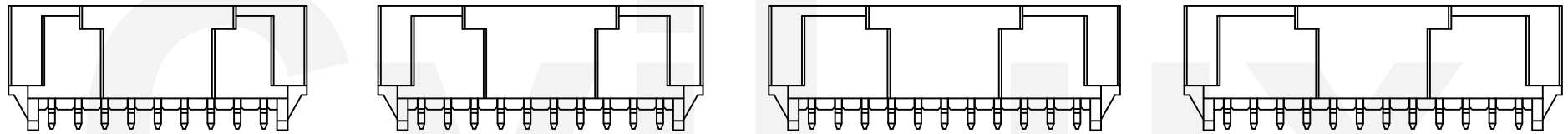
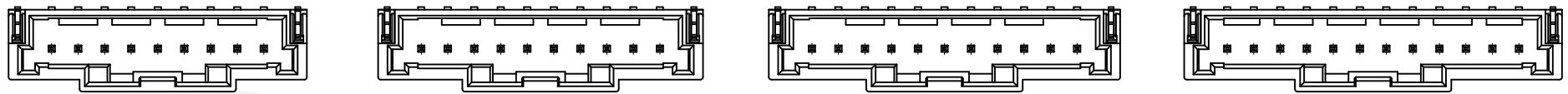
4pin

5pin

6pin

7pin

8pin

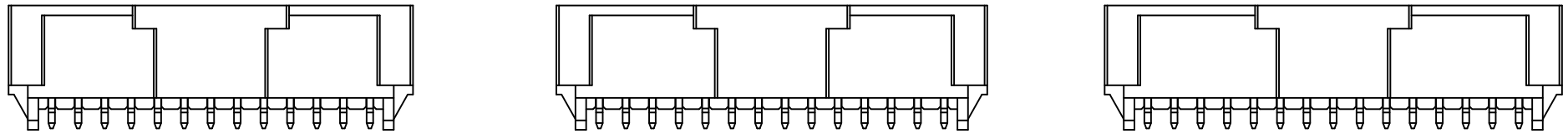
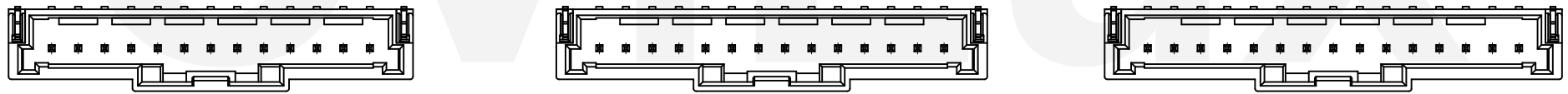


9pin

10pin

11pin

12pin




13pin

14pin

15pin

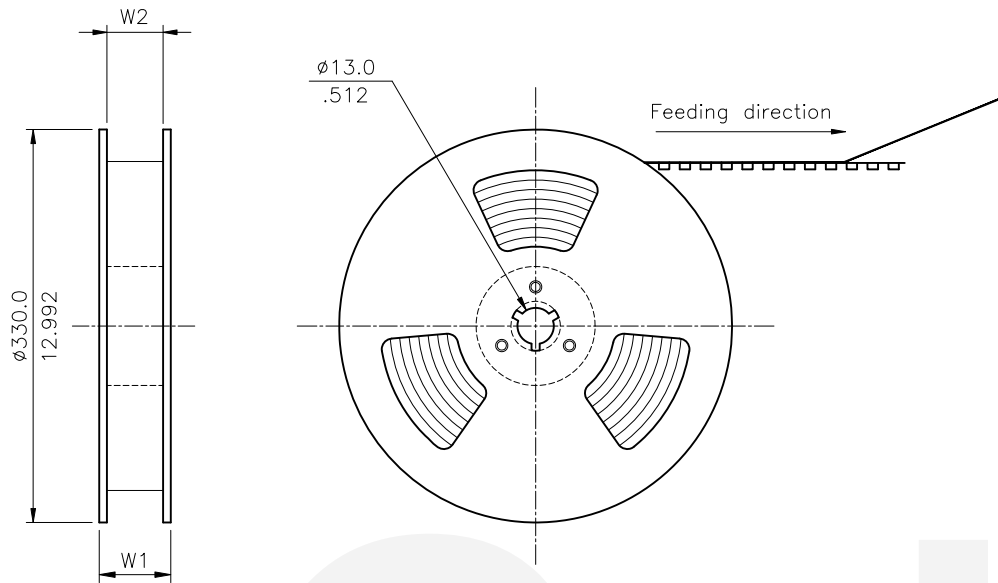
Lead Free Process    RoHS Compliant

4					DATE	UNIT: mm / inch	TITLE: 2.00MM(.079")	
3	Sun	4/12-21'	ECNT121091		DRAWN BY: Sun	4/20-21'	RIGHT ANGLE SMT TYPE HEADER	
2	Sun	6/16-20'	ECNT120157		ENGINEER: Sun	4/20-21'	TOLERANCE UNLESS OTHERWISE SPECIFIED	MATERIAL:
1	Sun	11/4-19'	ECNT119306		CHECKED BY: Eisley	4/21-21'	.X ± 0.25/.010    .X' ± 2"	FINISH:
SYM	NAME	DATE	REVISIONS		APPROVED BY: Eisley	4/21-21'	.XX ± 0.15/.008    .X' ± 1"	
						.XXX ± 0.08±.003    .XX' ±		



瀚荃股份有限公司  
CviLux Corporation

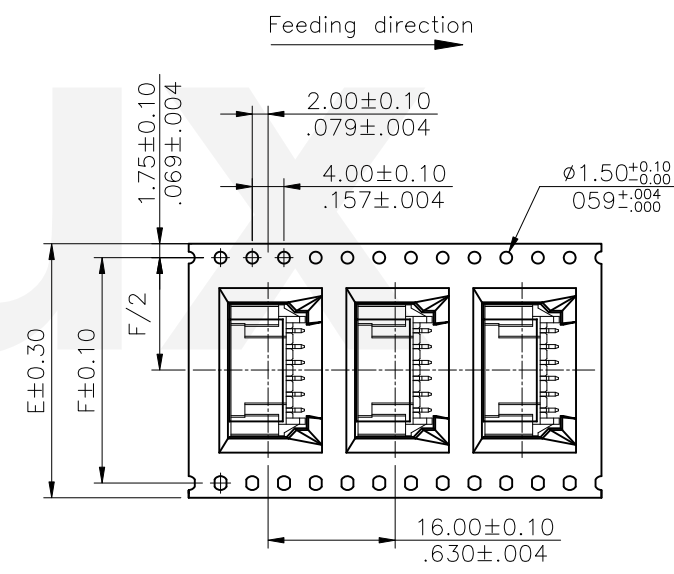
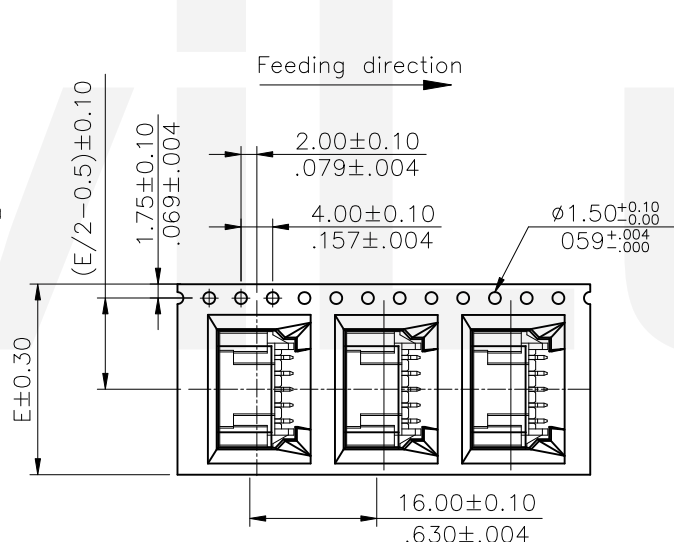
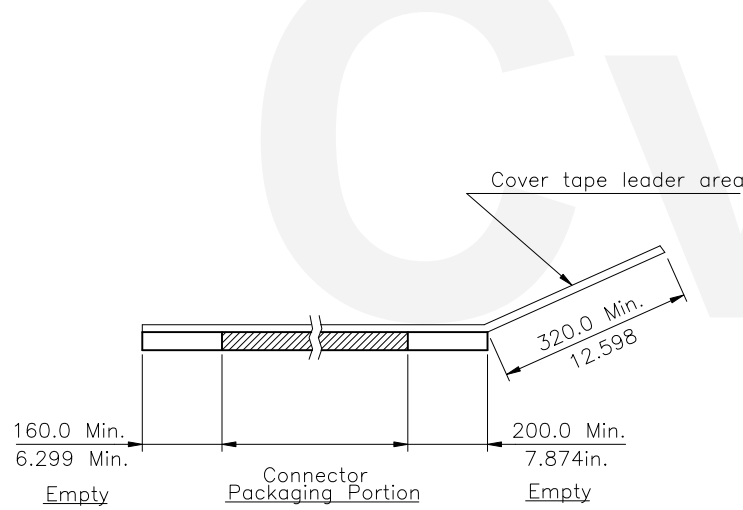
DRAWING NO.	CID903SC	PART NO.	CID9**M1HR0-LF
SCALE	2 / 1	SHEET	2 OF 3



NOTES:

1. 10 sprocket hole pitch cumulative tolerance  $\pm 0.20$
2. Carrier camber is within 1 mm in 250 mm.
3. Material : Transparent PS
4. Cover Tape : Transparent
5. Thickness :  $0.50 \pm 0.05$  mm.
6. All dimensions meet EIA-481 requirements.
7. Quantity : 600 PCS/Reel

Circuits	Dimension				Packing (Reel/Carton)
	E	F	W1	W2	
2-5	24.0(1.945)	—	28.50(1.122)	24.50(.965)	8
6-8	32.0(1.260)	28.4(1.118)	36.50(1.437)	32.50(1.280)	7
9-13	44.0(1.732)	40.4(1.596)	48.50(1.909)	44.50(1.752)	5
14-15	56.0(2.205)	52.4(2.063)	60.50(2.381)	56.50(2.224)	4



WIDTH : 24 mm Carrier

WIDTH : 32,44,56 mm Carrier

RoHS Compliant

SYM	NAME	DATE	REVISIONS	APPROVED BY:	DATE	UNIT: mm / inch	TITLE: 2.00MM(.079") RIGHT ANGLE SMT TYPE HEADER	MATERIAL:	FINISH:	DRAWING NO. CID903SC	PART NO. CID9**M1HR0-LF	SCALE	SHEET 3 OF 3
4													
3	Sun	4/12-21'	ECNT121091	DRAWN BY: Sun	4/20-21'	TOLERANCE UNLESS OTHERWISE SPECIFIED .X ± 0.20/.008 X' ± 1' .XX ± 0.15/.006 .X' ± .XXX ± 0.08/.003 .XX' ±							
2	Sun	6/16-20'	ECNT120157	ENGINEER: Sun	4/20-21'								
1	Sun	11/4-19'	ECNT119306	CHECKED BY: Eisley	4/21-21'								
				APPROVED BY: Eisley	4/21-21'								

