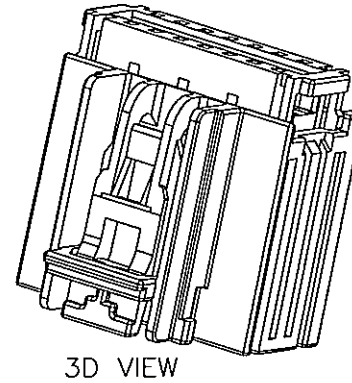
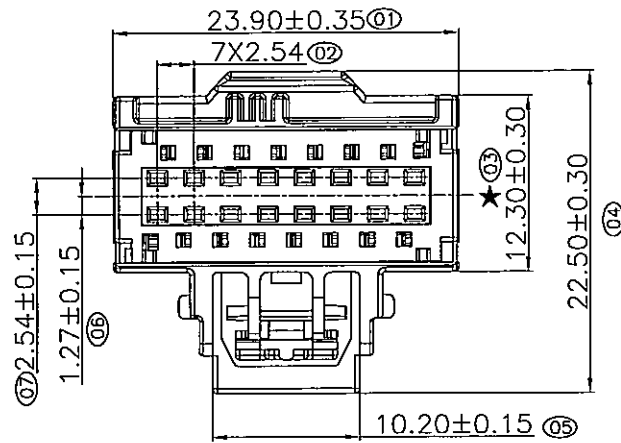
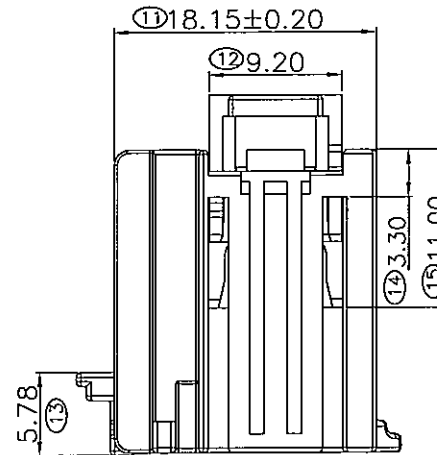
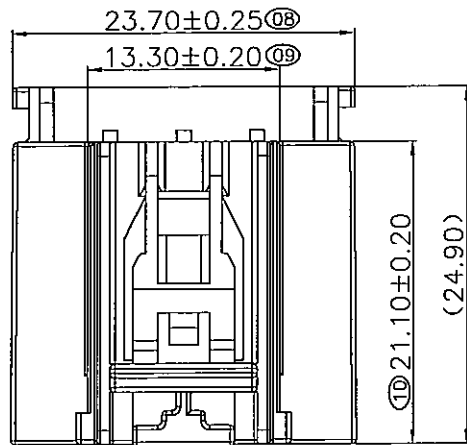


| REV. | LOCAS. | DESCRIPTION              | DATE       | DRAWN |
|------|--------|--------------------------|------------|-------|
| A    | NEW    | INTERIM INITIAL RELEASE. | 2024.07.08 | 英文斌   |



Specifications:  
 Insulation Resistance:100MΩ Min.  
 Dielectric Withstanding Voltage:1000V AC  
 Operating Temperature:-40°C to +105°C

Materials:  
 Housing Material: PBT+GF, UL94-HB, Color: Black  
 SPACER Material: PA66+GF, UL94-HB, Color: White  
 ☆All materials must meet GREENCONN hazardous substances control standards.



"★": Critical Characteristics.  
 indicates product characteristics, functionalities, and manufacturing processes regarding to customer's specifications.  
 "☆": Safety Features  
 indicates product characteristics, functionalities, and manufacturing processes complying to legal regulations stated by local government.

### Ordering Information

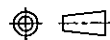
MCZHA215 - XX XX A 001 2 X X X

No. of Pins per Row 08  
 Standard Plating P4=Nickel underplated over all 50~100u". tin plated 40~100u" over all  
 Insulator Material 2=Mixed Material  
 Color J=Blend  
 Contact Material 9=High conductivity copper  
 Standard Packing B=Tray



Website:www.greenconn.com  
 E-mail:sales@greenconn.com

3RD.ANG PROJ.



PAGE. 1/2

#### GENERAL TOLERANCE

|            |           |
|------------|-----------|
| X.±5.0'    | X.±0.30   |
| .X'±3.0'   | .X±0.25   |
| .XX'±2.0'  | .XX±0.20  |
| .XXX'±1.0' | .XXX±0.15 |

DESIGNED: 黄文斌

DATE: 2024.07.08

CHECKED: 黄文斌

DATE: 2024.7.10

APPROVED: 黄文斌

DATE: 2024.7.10

DWG. NO.

MCZHA215-CA001

PART NO.

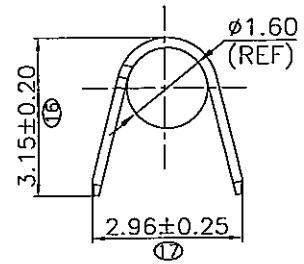
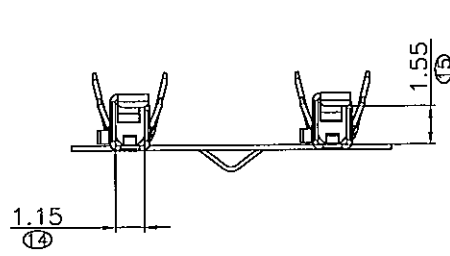
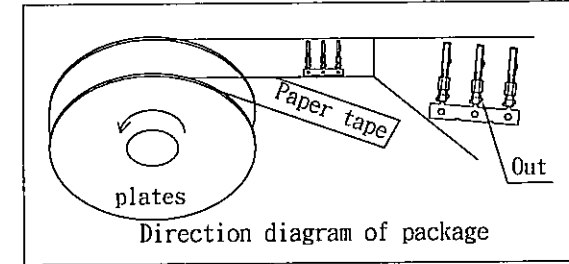
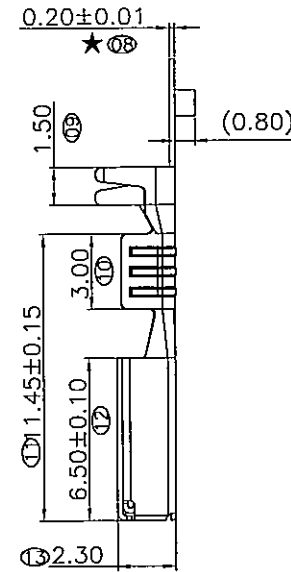
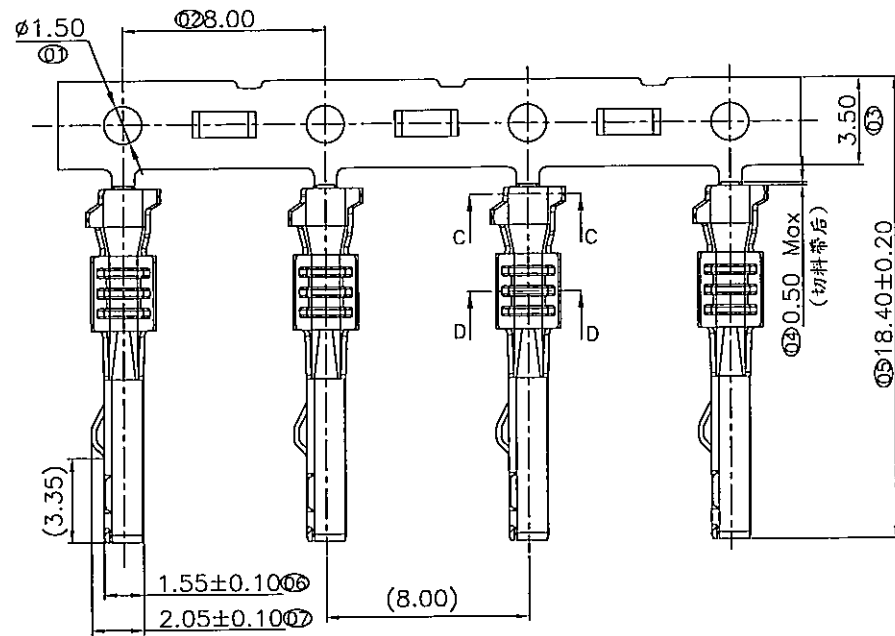
MCZHA215-XXXXA0012J9X

TITLE.

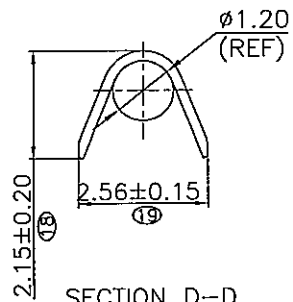
2.54 PITCH CONNECTOR

| REV. | UNIT. | SCALE. |
|------|-------|--------|
| A    | mm    | 2:1    |

| REV. | LOCAS. | DESCRIPTION              | DATE       | DRAWN |
|------|--------|--------------------------|------------|-------|
| A    | NEW    | INTERIM INITIAL RELEASE. | 2024.07.08 | 黄文斌   |



SECTION C-C  
SCALE 2:1



SECTION D-D  
SCALE 2:1

Material :

- Contact Material: Copper alloy, T=0.20±0.01mm.
- Standard Plating: Nickel 50~100u" Tin 40~100u".
- Operating Temperature: -40°C to +130°C
- All materials must comply with GREENCONN hazardous substance control standard.

"★": Critical Characteristics, indicates product characteristics, functionalities, and manufacturing processes regarding to customer's specifications.

"☆": Safety Features, indicates product characteristics, functionalities, and manufacturing processes complying to legal regulations stated by local government.

**Greenconn**  
 Website: www.greenconn.com  
 E-mail: sales@greenconn.com

3RD.ANG PROJ.  
  
 PAGE. 1/1

| GENERAL TOLERANCE |           |
|-------------------|-----------|
| X.*±5.0'          | X.±0.25   |
| .X'±3.0'          | .X±0.20   |
| .XX'±2.0'         | .XX±0.15  |
| .XXX'±1.0'        | .XXX±0.10 |

DESIGNED: 黄文斌  
 CHECKED: 黄文斌  
 APPROVED: 黄文斌

DATE: 2024.07.08  
 DATE: 2024.7.9  
 DATE: 2024.7.9

DWG. NO. ARH160-01-R  
 PART NO. ARH160-01P4PG-R

TITLE. 2.54 PITCH CONTACT