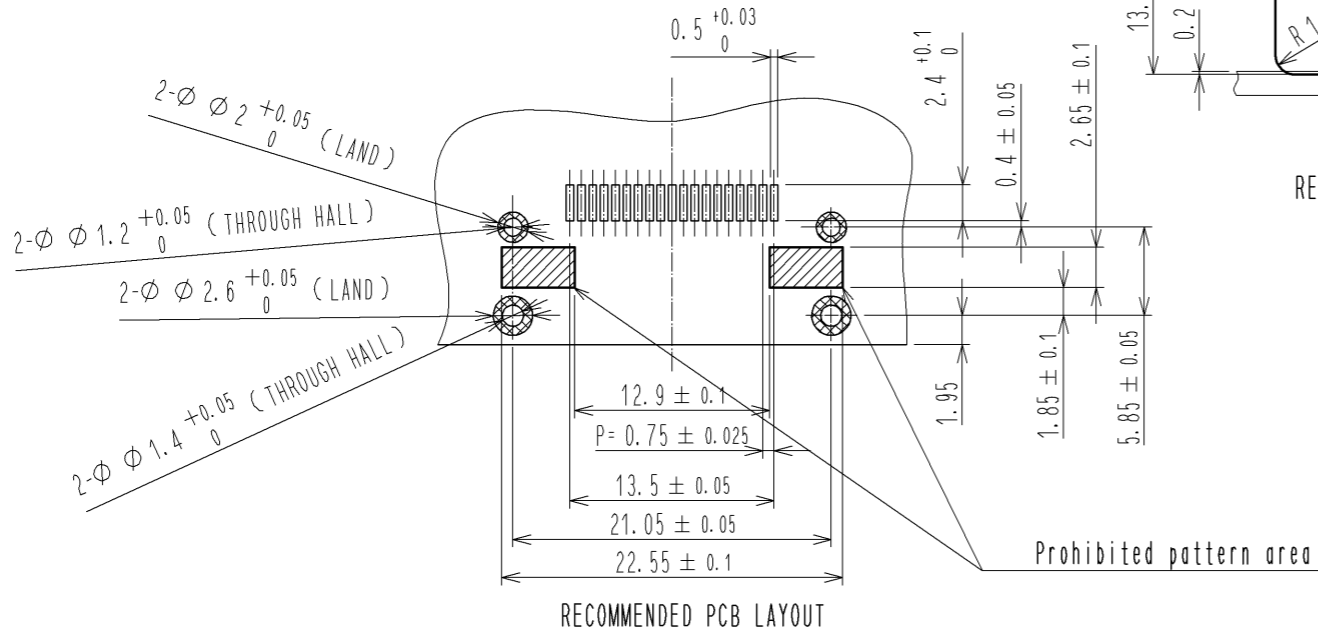
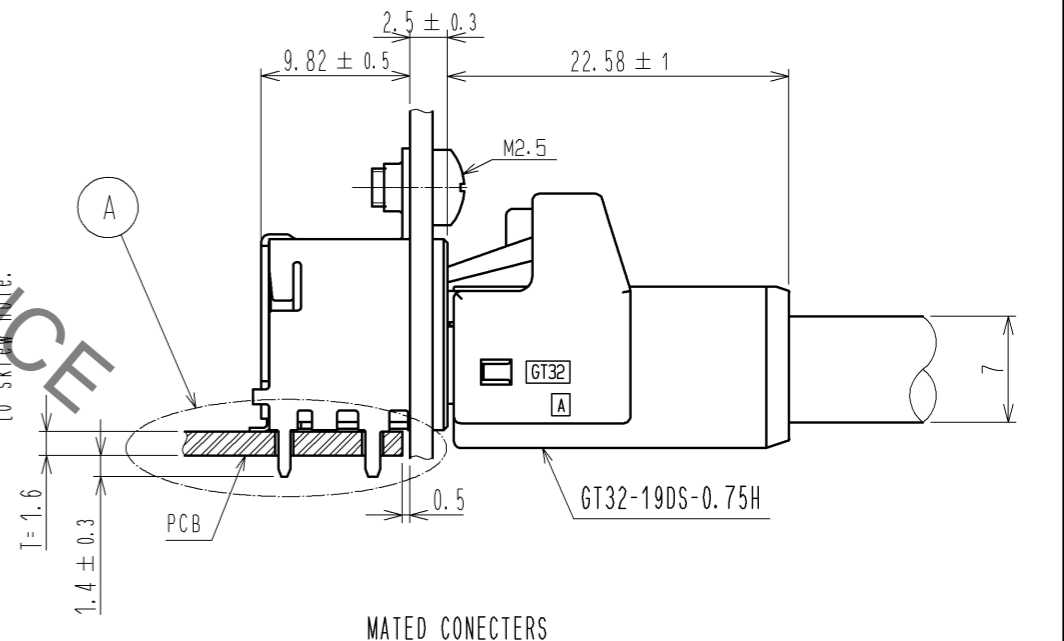
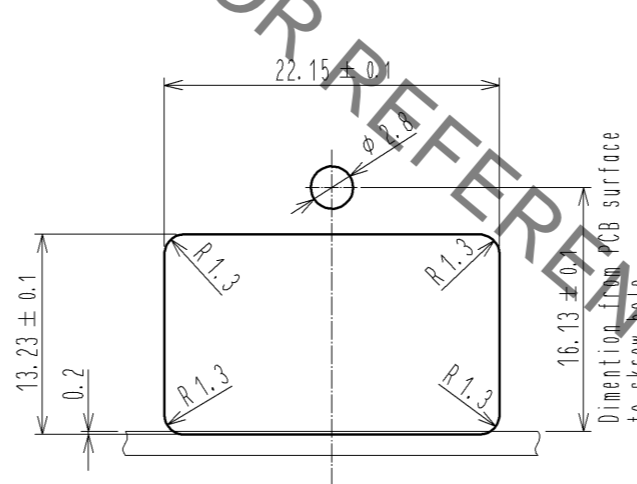
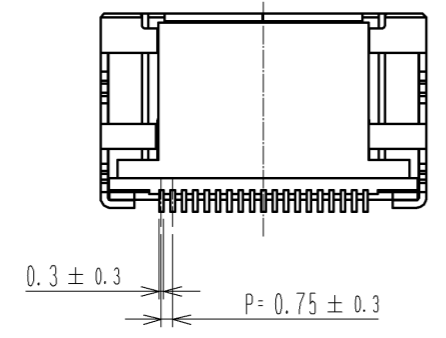
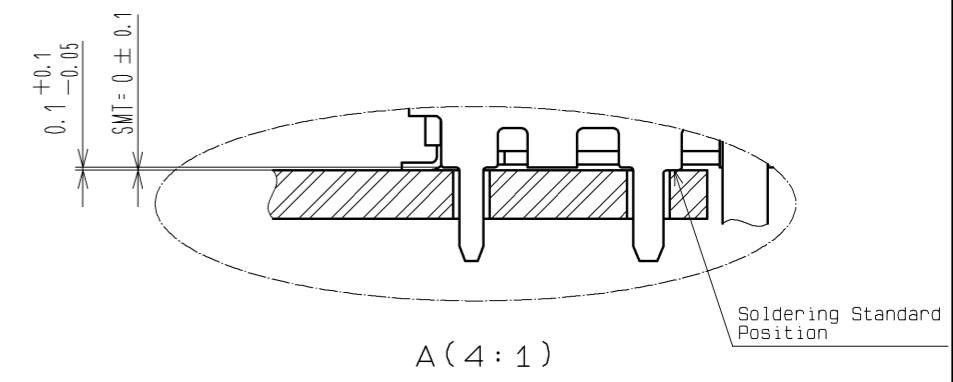
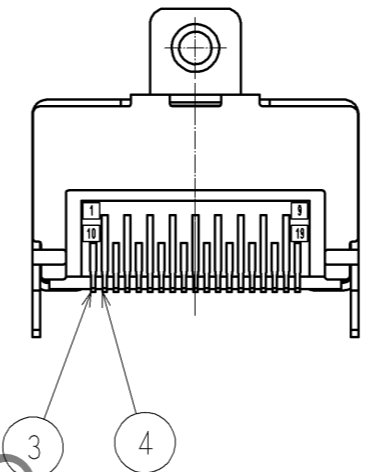
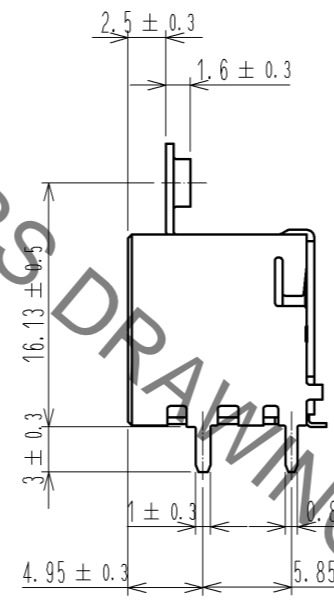
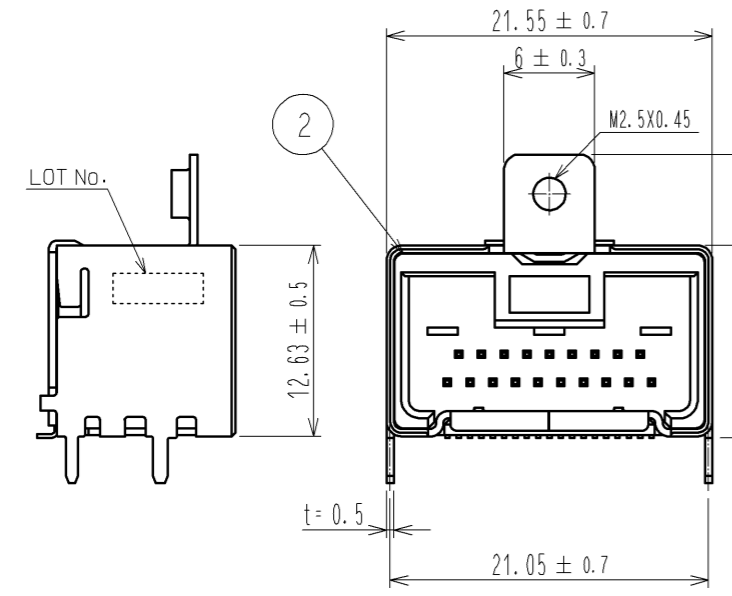
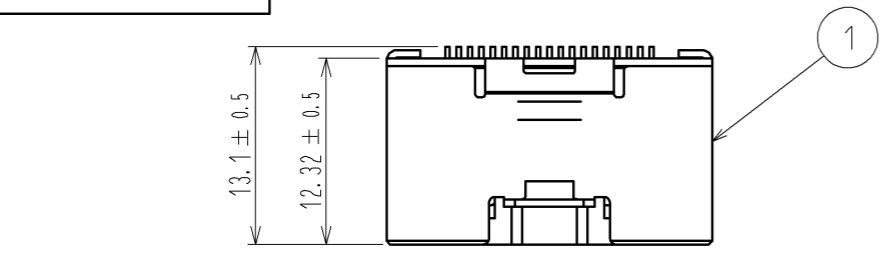
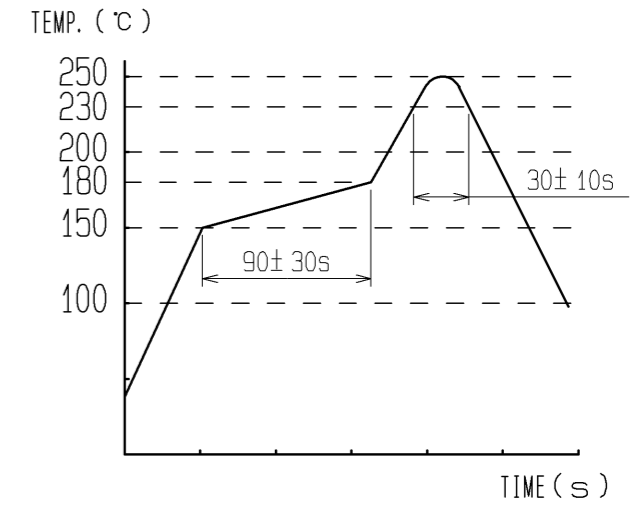


Apr.1.2020 Copyright 2020 HIROSE ELECTRIC CO., LTD. All Rights Reserved.
In case of consideration for using Automotive equipment / device which demand high reliability, kindly contact our sales window correspondents.

ELV, RoHS COMPLIANT

NOTES

- RECOMMENDED REFLOW PROFILE (SEE RIGHT GRAPF)
CYCLE TIME: UP TO 2 CYCLES OF REFLOW SOLDERING ARE POSSIBLE UNDER THE CONDITIONS, PROVIDED THAT THERE IS A RETURN TO NOMAL TEMPERATURE BETWEEN THE FIRST AND SECOND CYCLE.
PEAK TEMPERATURE: 250°C
230°C MIN. FOR 20 TO 40 SECONDS.
PREHEATING AREA 150~180°C FOR 60 TO 120 SECONDS.
- HAND SOLDERING: 280-300°C, 2S MAX.
- CONTACT COPLANARITY: 0.1mm MAX.
- RECOMMENDED THICKNESS OF PCB: 1.6mm
- RECOMMENDED THICKNESS OF SOLDERING PASTE: 0.15mm



2	PA	GRAY	4	BRASS	TIN PLATED		
1	COPPER ALLOY	TIN PLATED	3	BRASS	TIN PLATED		
NO.	MATERIAL	FINISH . REMARKS	NO.	MATERIAL	FINISH . REMARKS		
UNITS	mm	SCALE	COUNT	DESCRIPTION OF REVISIONS	DESIGNED	CHECKED	DATE
		2 : 1	1	DIS-T-004064	NK. IKUTA	TS. KUBOTA	14. 09. 19
APPROVED : AR. SHIRAI		12. 03. 02		DRAWING NO.		EDC3-168826-00	
CHECKED : NH. NAKATA		12. 03. 01		PART NO.		GT32-19DP-0.75H	
DESIGNED : MH. SHOUJI		12. 02. 20		CODE NO.		CL782-0009-3-00	
DRAWN : MH. SHOUJI		12. 02. 20					

Apr.1.2020 Copyright 2020 HIROSE ELECTRIC CO., LTD. All Rights Reserved.
In case of consideration for using Automotive equipment / device which demand high reliability, kindly contact our sales window correspondents.

PACKAGE SPECIFICATIONS

- ①. Place the connectors into the tray. (Cf. Figure of tray shape)
QTY per tray: 77pcs
- ②. Put the tray for six steps in turn and wind up a PP band.
Top(the sixth step) is an empty tray.
- ③. Put it in a cardboard box (W=267 H=126 D=365)
QTY per cardboard: 385 pcs

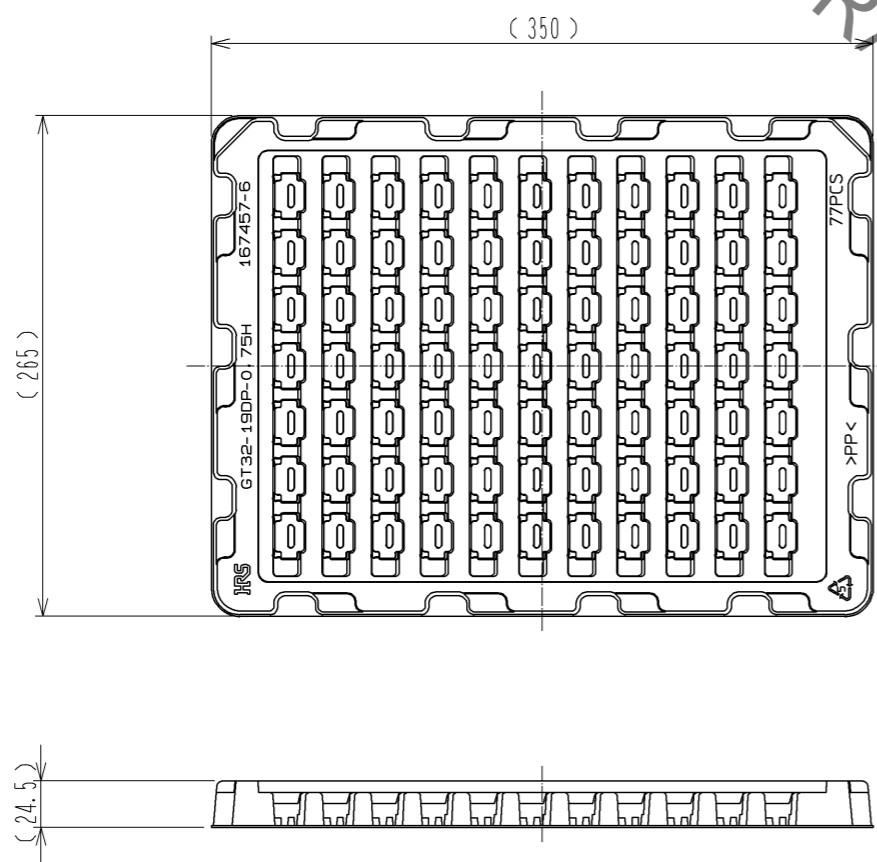


Figure of tray shape

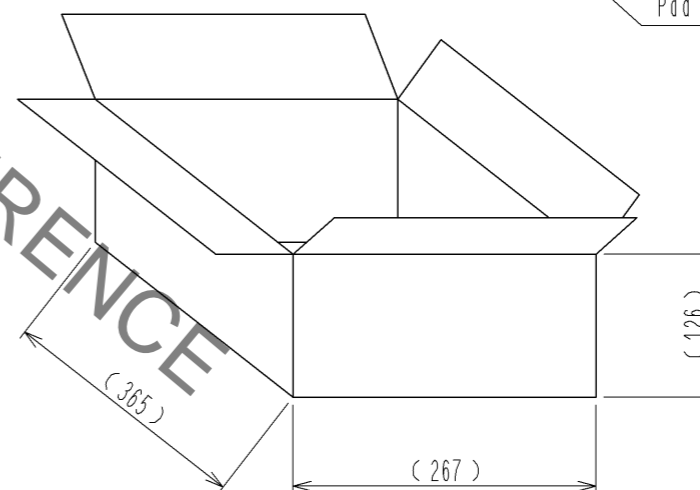
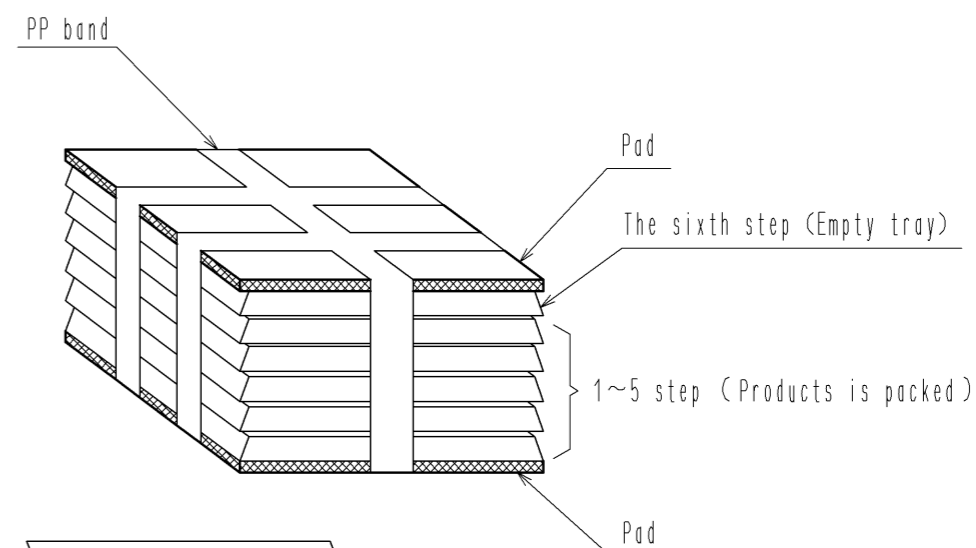
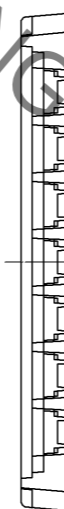


Figure of packing

HRS DRAWING FOR REFERENCE



図番:	EDC3-168826-00
製品名:	GT32-19DP-0.75H
製品コード:	CL782-0009-3-00

③ 2/2