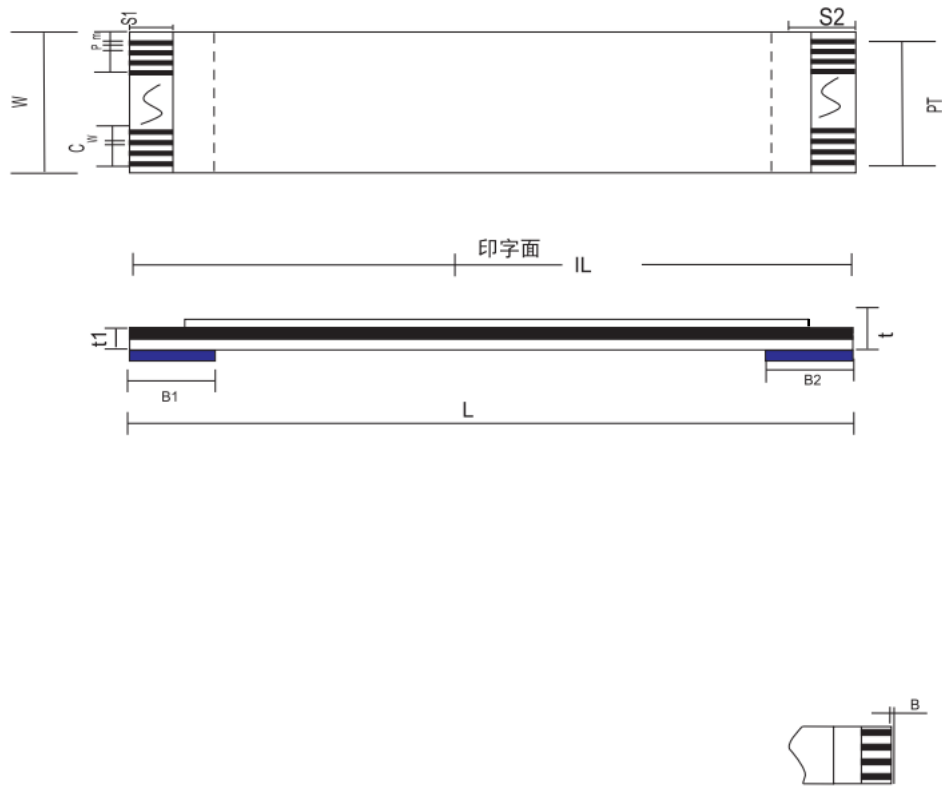
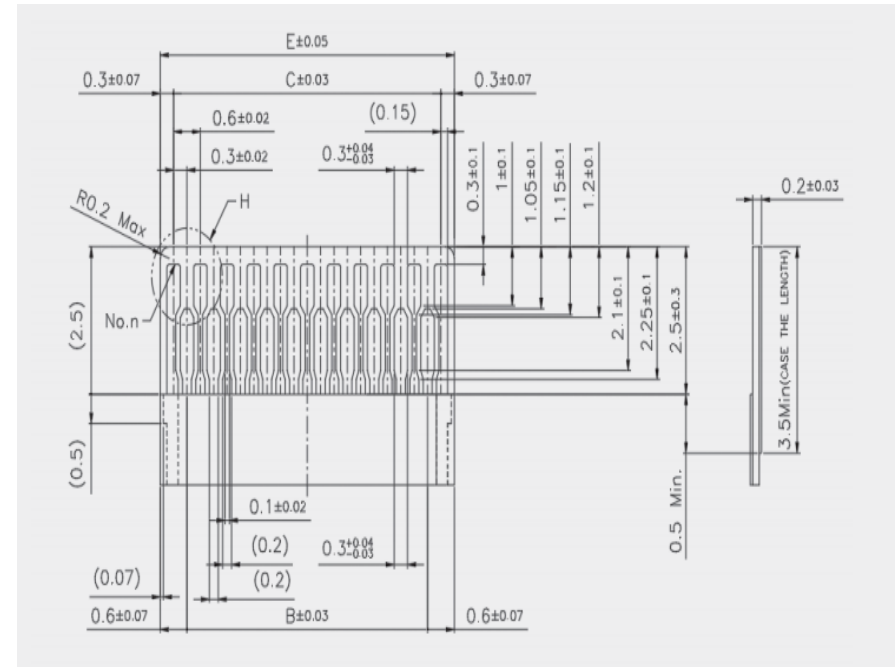


Ver.	Modify No.	Details	Area	P.I.C	Date
1.0					



Terminal Diagram



Total Length	100mm
Pitch	0.3mm
Position	39Pin
Terminal Thickness	0.2mm ± 0.05mm
Conductor Thickness	0.035mm ± 0.005mm

Part No.	FFC-0.3-39-100		
Product Name: FFC Cable	Period Mark	View Angle	Ratio
	A		1:1
Business Unit: SNT-BTP		Page 1	Total 1 Page
Product Series	BTP-Cable	 SINOTELECTRONICS 思诺泰科创·造未来 Interactivity Changes the World	