

Data sheet

OpDAT Industry IP67 V14 plug housing + 2LC MM plug insert

Page 1/5

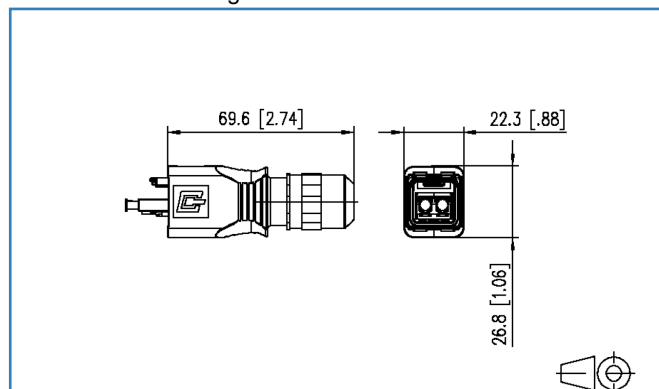
P/N
1402885020ME
EAN 4250184124474

2015-19-06

Illustrations



Dimensional drawing



See enlarged drawings at the end of document

Product specification

- plug housing with push-pull-lock acc. to ISO/IEC 24702 and IEC 61076-3-106 var. 14
- compliance with EN 50173-1:2011-09 and ISO/IEC 24702 with regard to limit values for insertion and return loss
- convex pre-polished pin made of zirconium oxide ceramics
- flame-retardant and halogen-free plastic pin body
- nickel-plated zinc die-cast plug receptacle
- strain relief element of breakout and mini breakout cables can be crimped to plug
- safe handling of assembled plugs during mounting
- IP67 protected housing to hold Industry plug inserts
- increased diameter range of 10 mm for connection of cable jackets
- resistant to welding sputter
- industry-compatible metal housing with improved durability
- flammability class as per UL 94V-0
- improved resistance to chemical substances
- snap-on clip for color coding after assembly
- cable can be pushed through preassembled plug housing

variants:

2LC

SM, MM

SC-RJ/2SC

SM, MM, POF



OpDAT Industry IP67 V14 plug housing + 2LC MM plug insert

P/N
1402885020ME
EAN 4250184124474

2015-19-06

Technical Data

General Data

Fields of application	Harsh environment
Design	Plugs
Transmission technology	Fiber optic
Color protective housing	metallike
Dimensions	
Dimension (L x W x H)	76.25 x 26.80 x 22.30 mm
Dimension (L x W x H)	3.00 x 1.06 x 0.88 in.
Mode type of the fiber	Multimode
Convex preformed abutting face	yes
Labeling option	on housing
Marking option	by latching clip

Connections/interfaces

Connector technology interface 1	Fast Cure
Connector technology interface 2	LC
Protective housing interface 1	V14
Protective housing interface 2	V14
Cable access/outlet	180°

Mechanical characteristics

Cut-out	SC, LC-D, E2000
Locking method (protective housing)	Push Pull
Life - Number of mating cycles	min. 1000
Strain relief	Crimp sleeve

Materials and material properties

Material - Housing	GD-Zn (zinc die-cast)
Material - Housing finish	Ni (nickel)
Material - Protective housing	metal
Material - Insulating body	plastics, flame-retardant and halogen free
Material - Sleeve	ceramic, slotted
Material - Ferrule	Ceramic



OpDAT Industry IP67 V14 plug housing + 2LC MM plug insert

P/N
1402885020ME
EAN 4250184124474

2015-19-06

Technical Data

Environmental conditions

Temperature (min. - max.)	
Temperature - Operating °C	-40 - 70 °C
Temperature - Operating °F	-40 - 158 °F
Particulate ingress	IP6X with protective housing
Liquid ingress/immersion	IPX7 with protective housing
Resistance to welding beads	yes
Increased robustness	yes
Increased chemical resistance	yes

Certifications

Gost Certification	yes
--------------------	-----

Approvals

RoHS	compliant
------	-----------

The product meets the following standards

Generic cabling systems	
General requirements	DIN EN 50173-1:2011-09
Industrial area	ISO/IEC 24702 AMD 1 DIN EN 50173-3: 2011-09 TIA/EIA 1005
Degrees of Protection Provided by Enclosures	IEC 60529:2014-09
Connectors for electronic equipment	
Rectangular connectors	DIN EN 61076-3-117

Classifications

ETIM 5.0	EC001121
----------	----------

Packing details

Type of packaging	10 pc(s) / box
Packaging unit - Weight (gram)	866.00 g
Packaging unit - Weight (pound)	1.91 lb
Packaging dimension (D x W x H)	58.00 x 247.00 x 161.00 mm
Packaging dimension (D x W x H)	2.28 x 9.72 x 6.34 in.



Data sheet

Page 4/5

OpDAT Industry IP67 V14 plug housing + 2LC MM plug insert

P/N

1402885020ME

EAN 4250184124474

2015-19-06

Accessories

P/N	Designation
1401088002KI	E-DAT Industry IP67 V14 plug protection cap

Data sheet

**OpDAT Industry IP67 V14 plug housing
+ 2LC MM plug insert**

Page 5/5

P/N
1402885020ME
EAN 4250184124474

2015-19-06

Illustrations

Dimensional drawing

