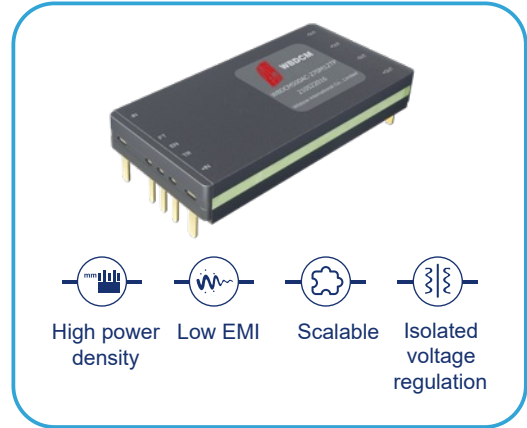




## WBDCM270AC Series Microchip DC-DC Converter

### Product Features

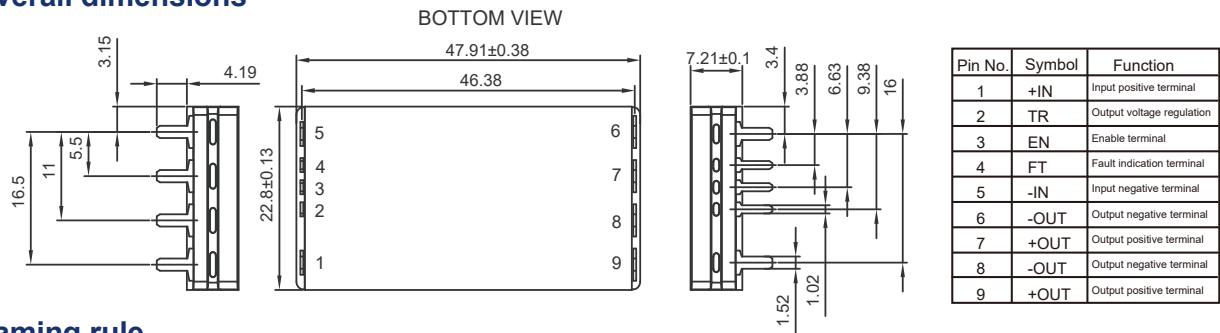
- Wide input isolated voltage regulation: 160V~420V
- High volume power density: 1040 W/in<sup>3</sup>
- High weight power density: 17.4 W/g
- Weight: 28 g only
- Over-voltage, under-voltage, over-current, short circuit, and overtemperature protection
- Support expansion by parallel connection of up to 8 units
- 4242 Vdc dielectric strength
- Operating temperature: -55°C~ 100°C
- CHIP3623 package: 47.91 × 22.80 × 7.21 mm
- Conform to SJ 20668 General Specification for Microcircuit Modules



### Product specification

Specification and model	Input voltage	Output voltage	Adjustment range	Output current	Output power	Efficiency	Development progress
WBDCM150AC-270M3V3TP	160~420V	3.3V	3.0~3.6V	45.46A	150W	87.7%	Available for delivery
WBDCM250AC-270M05TP	160~420V	5V	4.0~5.5V	50A	250W	89.1%	Available for delivery
WBDCM500AC-270M12TP	160~420V	12V	7.2~13.2V	41.67A	500W	91.1%	Available for delivery
WBDCM500AC-270M15TP	160~420V	15V	9.0~16.5V	33.4A	500W	91.8%	Available for delivery
WBDCM500AC-270M24TP	160~420V	24V	14.4~26.4V	20.84A	500W	92.6%	Available for delivery
WBDCM500AC-270M28TP	160~420V	28V	16.8~30.8V	17.86A	500W	93.2%	Available for delivery
WBDCM500AC-270M48TP	160~420V	48V	28.8~52.8V	10.42A	500W	92.0%	Developing

### Overall dimensions



### Naming rule

WB	DCM	150	AC	270	M	3V3	T	P
Brand name	Series name	Output power	Package code	Input voltage	Temperature grade	Output voltage	Through hole type	Parallel function
Wibbow	Isolated voltage regulation Microchip series	120: 120W 250: 250W 500: 500W	AC: CHIP4623	270: 160~420V	M : Tc : -55~100°C TS : -65~100°C H : Tc : -40~100°C TS : -55~100°C T : Tc : -40~100°C TS : -40~100°C	3V3: 3.3V 05: 5V 12: 12V 15: 15V 24: 24V 28: 28V 48: 48V	Plug-in installation	P: Support parallel connection S: Standalone operation