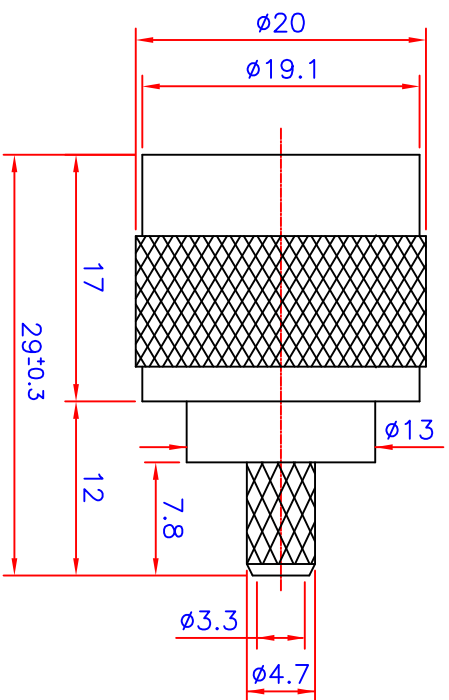
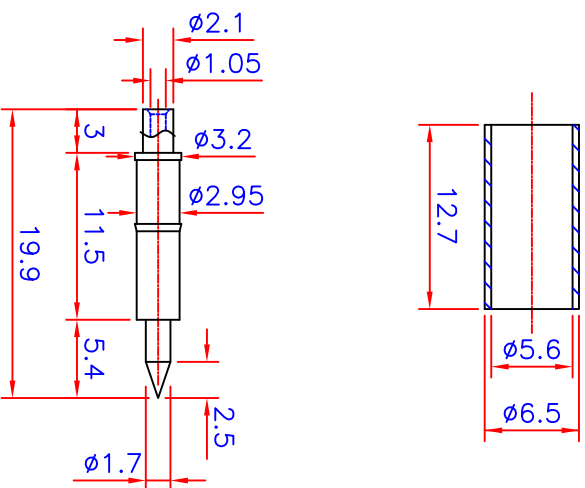


SPECIFICATION
 N MALE CONNECTOR
 CRIMP TYPE, RG58 ,DELIRIN INSULATION , NICKEL PLATED
 N 公, CRIMP, RG58, 塑膠絕緣, 鍍鎳.



N MALE CRIMP TYPE



UNLESS OTHERWISE SPECIFIED
 GENERAL TOLERANCES
 0.5~6 = ±0.2
 >6~30 = ±0.4
 >30~120 = ±0.6

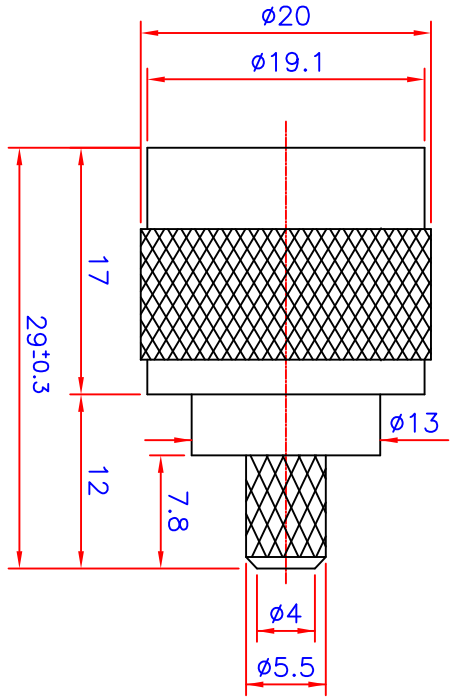
NO.	DESCRIPTION	QTY	MATERIAL	SPECIFICATION	REMARK
DRAW BY	CHUN	100209	1 : 2		ITEM NO. TL4451-58-BDNG
DEGN BY	YANG				TITLE N CONNECTORS
APPD BY	RAY		MM		

同利企業有限公司

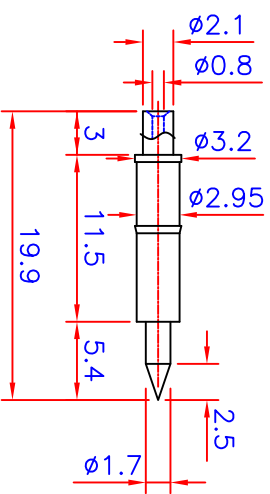
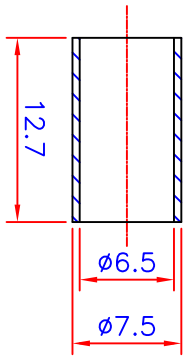
TELE LONG ENTERPRISE CO.,LTD
 E-mail: rayyang@seed.net.tw

DATE	DRAWG BY	REVISED	DATE	REVISED

SPECIFICATION
 N MALE CONNECTOR
 CRIMP TYPE, RG59, DELRIN INSULATION, NICKEL PLATED
 N 公, CRIMP, RG59, 塑膠絕緣, 鍍鎳.



N MALE CRIMP TYPE



UNLESS OTHERWISE SPECIFIED
 GENERAL TOLERANCES
 0.5~6 = ±0.2
 >6~30 = ±0.4
 >30~120 = ±0.6

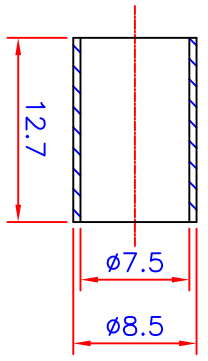
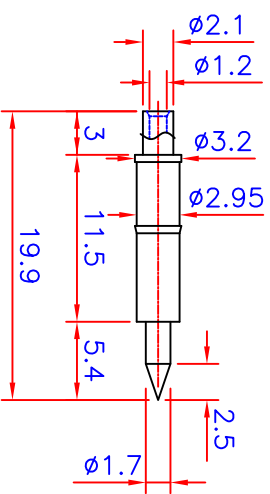
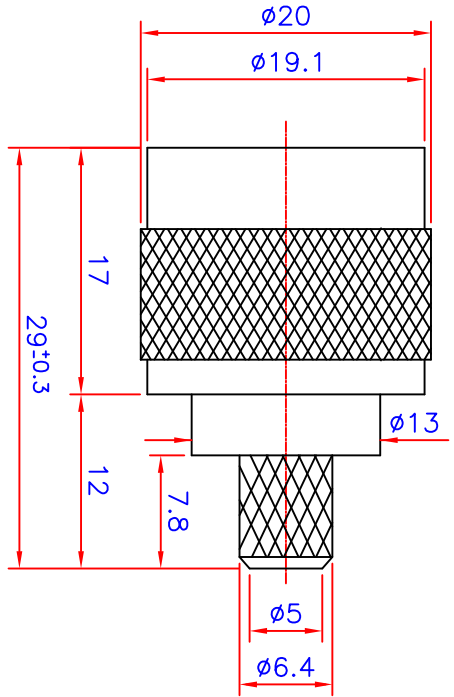
NO.	DESCRIPTION	QTY	MATERIAL	SPECIFICATION	REMARK
DRAW BY	CHUN	100209	1 : 2	ITEM NO.	TL4451-59-BDNG
DEGN BY	YANG			SCALE	
APPD BY	RAY		MM	PROJ	N CONNECTORS

同利企業有限公司

TELE LONG ENTERPRISE CO.,LTD
 E-mail: rayyang@seed.net.tw

DATE	DRAWG BY	REVISED	△	DRAWING NO.	TL4451-59-BDNG -TNS61-A1
------	----------	---------	---	-------------	-----------------------------

SPECIFICATION
 N MALE CONNECTOR
 CRIMP TYPE, RG6 ,DELIRIN INSULATION , NICKEL PLATED
 N 公, CRIMP, RG6, 塑膠絕緣, 鍍鎳.



N MALE CRIMP TYPE

UNLESS OTHERWISE SPECIFIED
 GENERAL TOLERANCES
 0.5~6 = ±0.2
 >6~30 = ±0.4
 >30~120 = ±0.6

NO.	DESCRIPTION	QTY	MATERIAL	SPECIFICATION	REMARK
DRAW BY	CHUN	100209	1 : 2		ITEM NO. TL4451-6-BDNG
DEGN BY	YANG				
APPD BY	RAY		MM	PROJ	TITLE N CONNECTORS

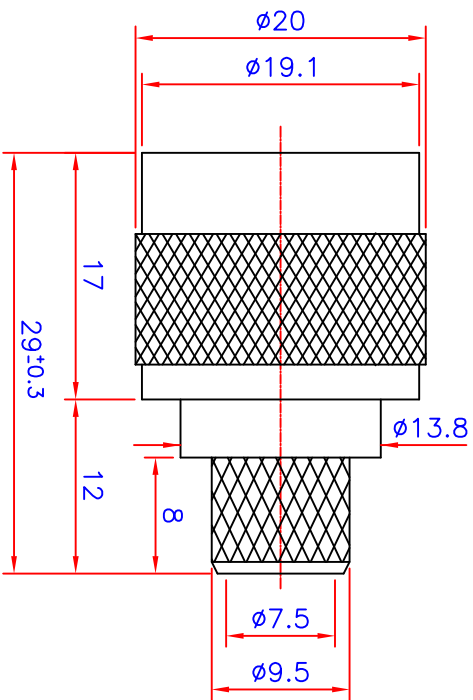
同利企業有限公司

TELE LONG ENTERPRISE CO.,LTD
 E-mail: rayyang@seed.net.tw

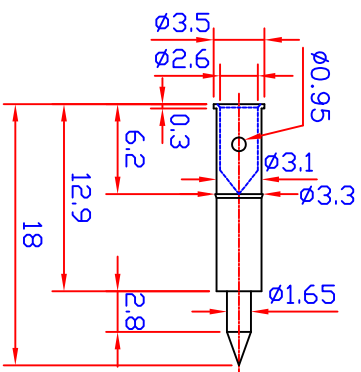
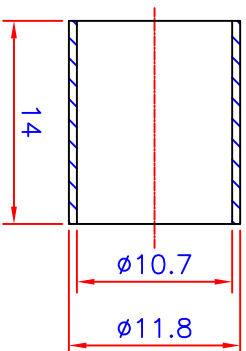
DATE	DRAWG BY	REVISED	△
------	----------	---------	---

DRAWING NO.	TL4451-6-BDNG -TNS61-A1
-------------	----------------------------

SPECIFICATION
 N MALE CONNECTOR
 CRIMP TYPE, RG213, DELRIN INSULATION, NICKEL PLATED
 N 公, CRIMP, RG213, 塑膠絕緣, 鍍鎳.



N MALE CRIMP TYPE



UNLESS OTHERWISE SPECIFIED
 GENERAL TOLERANCES
 0.5~6 = ±0.2
 >6~30 = ±0.4
 >30~120 = ±0.6

NO.	DESCRIPTION	QTY	MATERIAL	SPECIFICATION	REMARK
DRAW BY	周煥君	0911108	1 : 2		ITEM NO. TL4451-213-BDNG
DEGN BY	YANG				TITLE N
APPD BY	RAY		MM		CONNECTORS

DATE	DRAWG BY	REVISED	同利企業有限公司	TELE LONG ENTERPRISE CO.,LTD	DRAWING NO.	TL4451-213-BDNG -TNS61-A1
------	----------	---------	----------	------------------------------	-------------	------------------------------