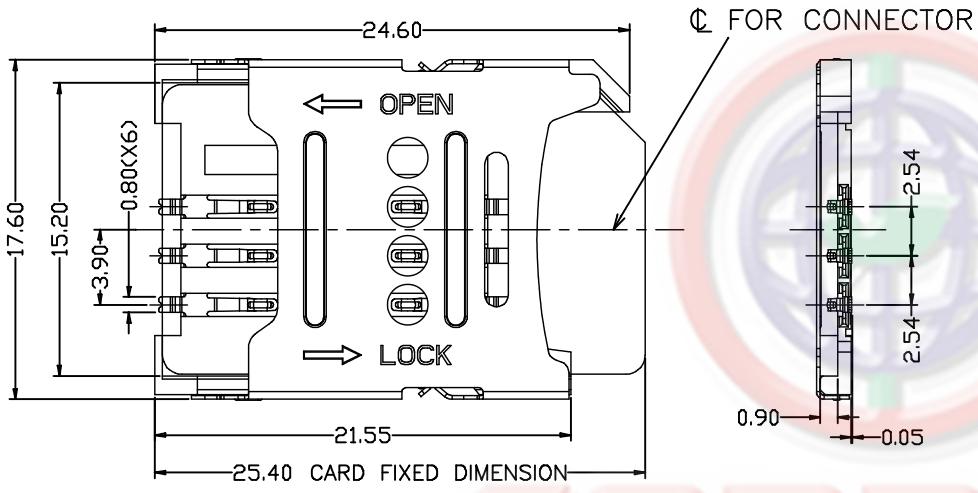


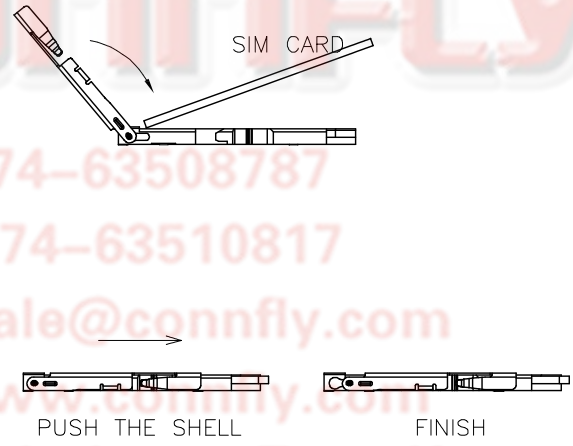
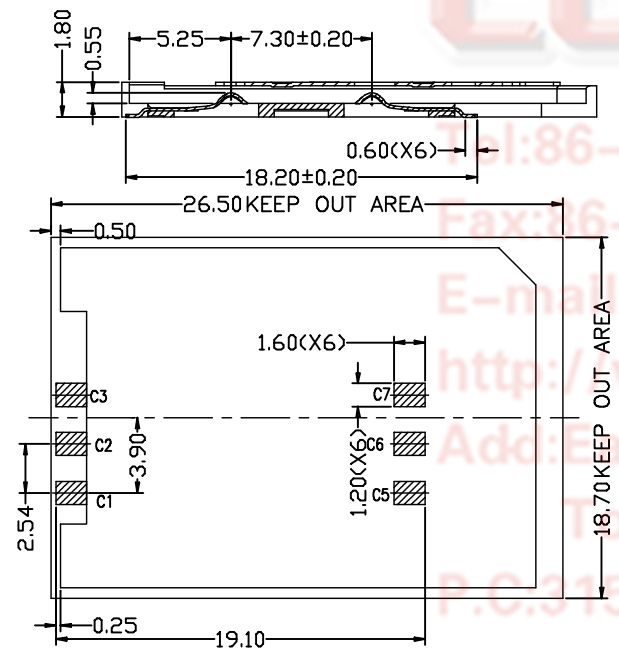
REV.	DESCRIPTION	DRAWN	CHECKED	APPROVED
A	NEW RELEASE	JLZ 10/10/14'	HZW 10/10/14'	LJC 10/10/14'
B	DRAWING UPDATE	JLZ 05/09/16'	HZW 05/09/16'	LJC 05/09/16'
D	DRAWING UPDATE	JLZ 11/16/17'		



- Notes:
- Material:
 - Housing: High Temperature LCP UL 94V-0, Color of Black
 - Contact: Copper Alloy
 - Shell: Stainless Steel
 - Finish:
 - Contact Area: Gold over Nickel
 - Solder Area: Tin.
 - Speciality: :
 - Current Rating: 1.0A
 - Voltage Rating: 30V AC/DC
 - Contact Resistance: 100mΩ Max.
 - Insulation Resistance: 100MΩ Min.
 - Withstanding Voltage: 100V AC.
 - Temperature Rated: -20° C TO +85° C,
 - Product Number Code:

DS1138-06 - XX X X X X X X

- Packing Type
R: Tape On Reel
- Shell Plating
S: Stainless
- Housing Color
B: Black
- Contact Plating
0: Selective gold flash
4: Selective 3u" gold
- Mounting Type
S: SMT type
- Connector Type
S: Socket
- NO. Of Contacts
06:6Pin



RECOMMENDED P.C.BOARD LAYOUT (TOP VIEW)
TOLERANCES UNLESS OTHERWISE SPEC.±0.05
PAD AREA

GENERAL TOLERANCE		ANGLE TOLERANCE	
X.	±0.60	X.	±5°
.X	±0.38	.X	±3°
.XX	±0.25	.XX	±2°

PROJECTION	TITLE
UNITS	2.54mm SIM Card H=1.8mm 6 Positions SMT Type
SHEET SIZE	SERIES DS1138-06 SERIES

DRAWING TYPE	CUSTOMER
SCALE	1:1 SHEET 1 OF 1
DRAWING NO.	C-DS1138-06-XXXXXXX-D

CONNFLY 晨翔电子有限公司
CONNFLY ELECTRONIC CO., LTD

CONNFLY
Tel: 86-574-63508787
Fax: 86-574-63510817
E-mail: sale@connfly.com
http://www.connfly.com
Add: East Industry Zone KuangYan
Town Cixi Ningbo China
P.O. 315333