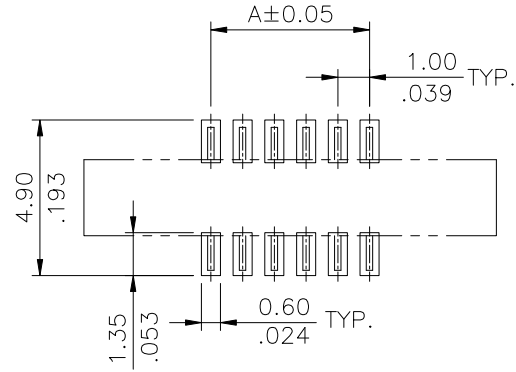
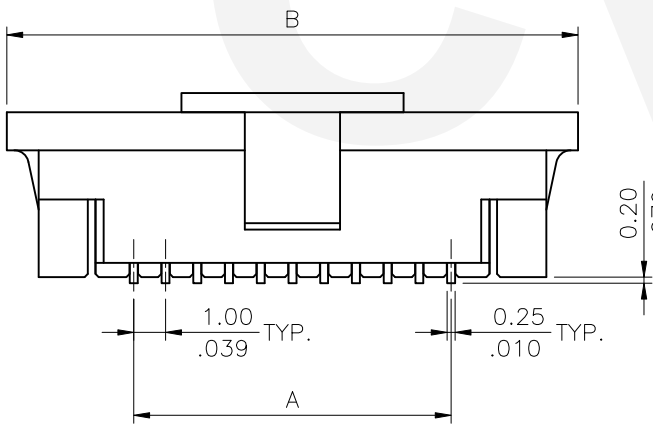
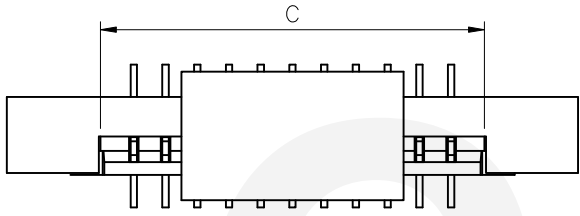


Material:

- * Body: Thermoplastic, UL94V-0
- * Cover: Thermoplastic UL94V-0
- * PAD: Thermoplastic UL94V-0
- * Contact: Copper Alloy



Recommended P.C. Board Layout



Circuits	Dimension			Circuits	Dimension		
	A	B	C		A	B	C
4	3.0 (.118)	11.0 (.433)	5.07 (.200)	19	18.0 (.709)	26.0 (1.024)	20.07 (.790)
5	4.0 (.157)	12.0 (.472)	6.07 (.239)	20	19.0 (.748)	27.0 (1.063)	21.07 (.830)
6	5.0 (.197)	13.0 (.512)	7.07 (.278)	21	20.0 (.787)	28.0 (1.102)	22.07 (.869)
7	6.0 (.236)	14.0 (.551)	8.07 (.318)	22	21.0 (.827)	29.0 (1.142)	23.07 (.908)
8	7.0 (.276)	15.0 (.591)	9.07 (.357)	23	22.0 (.866)	30.0 (1.181)	24.07 (.948)
9	8.0 (.315)	16.0 (.630)	10.07 (.396)	24	23.0 (.906)	31.0 (1.220)	25.07 (.987)
10	9.0 (.354)	17.0 (.669)	11.07 (.436)	25	24.0 (.945)	32.0 (1.260)	26.07 (1.026)
11	10.0 (.394)	18.0 (.709)	12.07 (.475)	26	25.0 (.984)	33.0 (1.299)	27.07 (1.066)
12	11.0 (.433)	19.0 (.748)	13.07 (.515)	27	26.0 (1.024)	34.0 (1.339)	28.07 (1.105)
13	12.0 (.472)	20.0 (.787)	14.07 (.554)	28	27.0 (1.063)	35.0 (1.378)	29.07 (1.144)
14	13.0 (.512)	21.0 (.827)	15.07 (.593)	29	28.0 (1.102)	36.0 (1.417)	30.07 (1.184)
15	14.0 (.551)	22.0 (.866)	16.07 (.633)	30	29.0 (1.142)	37.0 (1.457)	31.07 (1.223)
16	15.0 (.591)	23.0 (.906)	17.07 (.672)	31	30.0 (1.181)	38.0 (1.496)	32.07 (1.263)
17	16.0 (.630)	24.0 (.945)	18.07 (.711)	32	31.0 (1.220)	39.0 (1.535)	33.07 (1.302)
18	17.0 (.669)	25.0 (.984)	19.07 (.751)				

Ordering Code

CF57 ** 1 V 0 RA -NH
 ① ② ③ ④ ⑤ ⑥ ⑦

- ① Series No.
- ② No. of Circuits: 04 to 32
- ③ Plating code:
1 = Matte Tin plated over Nickel
- ④ Contact style: V = Vertical Type
- ⑤ Color: 0 = Nature
- ⑥ Other option: RA = Tape & Reel
- ⑦ -NH = For Lead Free IR Reflow Processes & Halogen-Free

Accommodated FFC/FPC

Halogen-Free

Lead Free Process

RoHS compliant

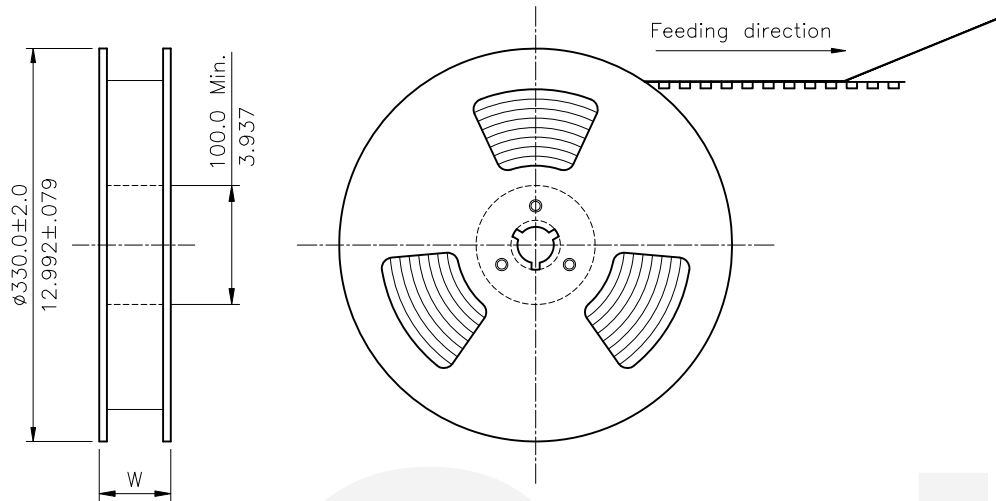
SYM	NAME	DATE	REVISIONS	APPROVED BY:	DATE	UNIT: mm / inch	TITLE: 1.00mm(.039") ZIF FFC/FPC ONE-TOUCH CONNECTOR	DRAWING NO. CF5704SB	PART NO. CF57**1VORA-NH
4									
3									
2									
1	Sun	7/03-20'	ECNT120171	Eisley	7/07-20'	.X ± 0.30/.012 .XX ± 0.25/.010 .XXX ± 0.15/.006	MATERIAL: FINISH:	SCALE 4 / 1	SHEET 1 OF 2



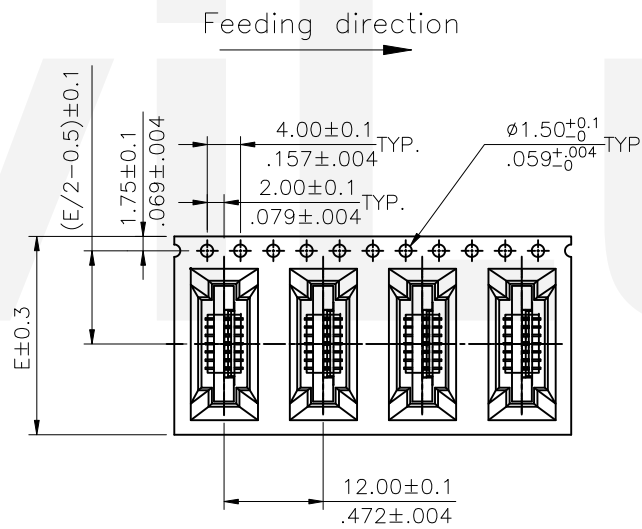
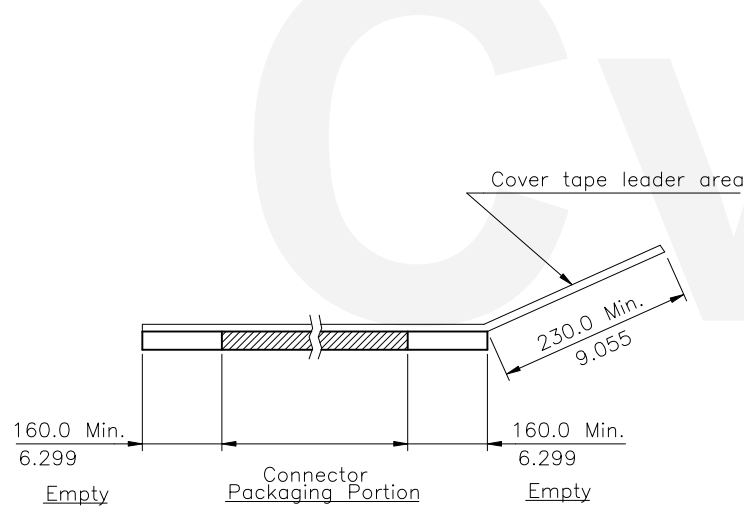
瀚荃股份有限公司
CviLux Corporation

NOTES:

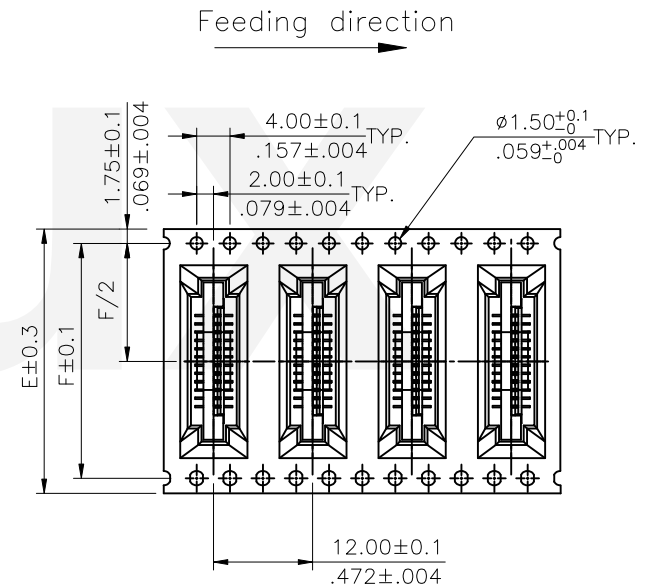
1. 10 sprocket hole pitch cumulative tolerance ± 0.20
2. Carrier camber is within 1 mm in 250 mm.
3. Material :Transparent Anti-static Polysyrene.
4. All dimensions meet EIA-481-2 requirements.
5. Component load per 13" Reel : 800 pcs.



Circuits	Dimension		
	E	F	W
4-9	24.0(.945)	—	28.4(1.118)
10-13	32.0(1.260)	28.40(1.118)	36.4(1.433)
14-25	44.0(1.732)	40.40(1.596)	48.4(1.906)
26-32	56.0(2.204)	52.40(2.063)	60.4(2.378)



WIDTH : 24 mm Carrier



WIDTH : 32,44,56 mm Carrier

RoHS Compliant

CVILUX
2020.07.09
ISSUED

SYM	NAME	DATE	REVISIONS	APPROVED BY:	DATE	UNIT: mm / inch	TITLE: 1.00mm(.039") ZIF FFC/FPC ONE-TOUCH CONNECTOR	MATERIAL:	FINISH:	DRAWING NO. CF5704SB	PART NO. CF57**1VORA-NH	SCALE	SHEET 2 OF 2
4						UNIT: mm / inch	1.00mm(.039") ZIF FFC/FPC ONE-TOUCH CONNECTOR	MATERIAL:	FINISH:	DRAWING NO. CF5704SB	PART NO. CF57**1VORA-NH	SCALE	SHEET 2 OF 2
3						TOLERANCE UNLESS OTHERWISE SPECIFIED							
2						.X ± .X' ± 1'							
1	Sun	7/03-20'	ECNT120171	Eisley	7/07-20'	.XX ± .X' ±							
				Eisley	7/07-20'	.XXX ± .XX' ±							

瀚荃股份有限公司
CviLux Corporation